

DINKLE ENTERPRISE CO., LTD.

No.19,Wuquan 2nd Road., Wugu District,
New Taipei City 248020, Taiwan
TEL:+886-2-8069-9000 7705-6900
FAX:+886-2-2290-1702
E-mail:service@dinkle.com
Web:www.dinkle.com

DINKLE INTERNATIONAL CO., LTD.

No.19,Wuquan 2nd Road., Wugu District,
New Taipei City 248020, Taiwan
TEL:+886-2-8069-9000 7705-6900
FAX:+886-2-2290-1702
E-mail:service@dinkle.com
Web:www.dinkle.com

OPTIKLE INTERNATIONAL CO., LTD.

Room 29, 1/F, Block B, Proficient Industrial Center,
No.6 Wang Kwun Road, Kowloon Bay, Kowloon,
HONG KONG
TEL:+852-2795-3840 2758-8005
FAX:+852-2753-6919
E-mail:Service.LY.Sales@dinkle.com.cn
Web:www.dinkle.com

DINKLE ELECTRIC MACHINERY (CHINA) CO., LTD.

No.388, Xingpu Mid Road, Shipu, Qiangdeng Town,
Kunshan City, Jiangsu Province 215343, China
TEL:+86-512-5708-8588
FAX:+86-512-5708-8600
E-mail:Service.SH.Sales@dinkle.com.cn
Web:www.dinkle.com/kscn/

LIYANG ELECTRIC MACHINERY (DONGGUAN) CO., LTD.

No.2, Jinqianlin 1st Street, Jitigang Village, Huangjiang Town,
Dongguan City, Guangdong Province, China
TEL:+86-769-8336-4350 8336-4370
FAX:+86-769-8336-4314
E-mail:Service.LY.Sales@dinkle.com.cn
Web:www.dinkle.com

DINKLE CORPORATION, USA

13748 Pike Road, Missouri City, Texas, USA 77489
TEL:+1-832-539-4703
Toll-Free:+1-844-273-1850
FAX:+1-832-532-7226
E-mail:Service.US.Sales@dinkle.com
Web:www.dinkle.com/en/home

DINKLE S.R.L, ITALY

Via Stabilini n°14, 23864 Malgrate (LC), Italia
TEL:+39/0341176154
E-mail:Service.It.Sales@dinkle.com
Web:www.dinkle.com/it/

DINKLE ELECTRIC TRADING (SHANGHAI) CO., LTD.

Unit 3706, Grand Gateway Tower 2, No. 3 Hongqiao Road,
Xuhui District, Shanghai City.
TEL:+86-21-6487-0636 6487-5423
FAX:+86-21-3356-2500
E-mail:Service.SH.Sales@dinkle.com.cn
Web:www.dinkle.com/cn/

Beijing Sales Office

TEL:+86-10-5873-4338
FAX:+86-10-5873-4337
E-mail: Service.SH.Sales@dinkle.com.cn
Web: www.dinkle.com/cn/

Xi An Sales Office

TEL:+86-29-8885-8475
FAX:+86-21-3356-2500
E-mail: Service.SH.Sales@dinkle.com.cn
Web: www.dinkle.com/cn/



E-mail : service@dinkle.com

Web : www.dinkle.com

Dinkle remains the right of product modification and engineering change of design.
The catalogue is for reference only. The final product is made according to actual
engineering drawing.

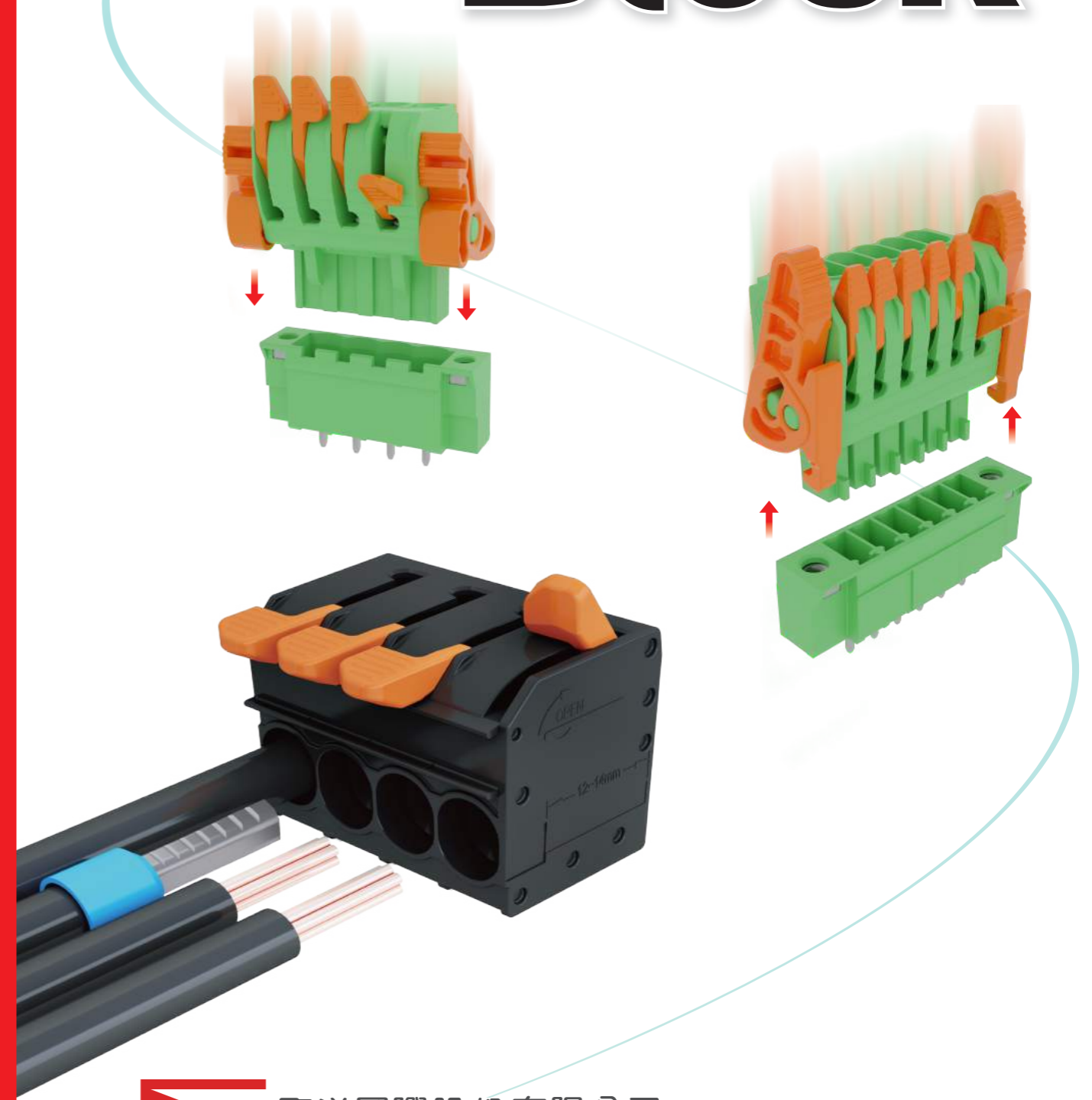
弊社標準品に関しては、修正や設計変更等が行われるため、カタログは参考であり、
詳細仕様は図面を基準とする。

本公司對產品保有修改、設變權，目錄僅供參考，實際產品仍需依照工程圖面
為準。

MAY./2023_V.04

Terminal Block

Delight Through Connections



DINKLE , Delight Through Connections !!

Established on July 22, 1983, Dinkle, after decades of market refinement, has been improving over time, providing globalization services by the core capability of terminal block manufacturing, and becoming the best partner in the industrial fields.

Headquartered in Taiwan, there are five manufacturing sites around the world, it's easy to find Dinkle service locations in every country. We cultivate professionals from various countries to provide excellent services for electrical connections, electrical cabinets and communication electronic products.

The R&D center has more than 400 engineers to innovate product design, carry out digital transformation from information digitization to technology digitization, and develop products suitable for industrial fields. The automated manufacturing of production lines at each site ensures excellent product performance and quality.

All production bases are certified by ISO9001 and ISO 14001, and the products have passed UL, cUL, VDE, TUV, ENEC, LR and other safety certifications.



Table of Contents



PID (Push-In Design) PCB Connectors

Pitch (mm)	Voltage (V)	Current (A)	Part number	Page	Remarks	Pitch (mm)	Voltage (V)	Current (A)	Part number	Page	Remarks
2.50	150	4	ESC250V-XXP	37		3.81	300	8	ESC381V-XXP	38	
2.54	150	5	0156-1AXX-BK	5	Screw flange	3.81	300	8	ESC381VK-XXP	38	Release tool
2.54	150	5	0156-1BXX-BK	4		3.81	300	8	ESC381VM-XXP	38	Screw flange
2.54	150	5	0156-1CXX-BK	5	Lock flange	5.00	300	10	0226-01XX	15	Screw flange/light pipe
2.54	150	5	0156-1DXX-BK	5	Release tool	5.00	300	10	0226-02XX	15	Lock flange/light pipe
2.54	150	6	0157-1BXX	6		5.00	300	10	0226-03XX	15	Light pipe
3.50	150	8	0156-2AXX-BK	7	Screw flange	5.00	300	10	0226-06XX	16	Screw flange
3.50	150	8	0156-2BXX-BK	7		5.00	300	10	0226-07XX	16	Lock flange
3.50	150	8	0156-2CXX-BK	7	Lock flange	5.00	300	10	0226-08XX	16	
3.50	150	8	0156-2DXX-BK	7	Release tool	5.00	300	10	5ESDS-XXP	39	
3.50	150	8	0156-9AXX	8	Screw flange	5.00	300	10	5ESDSM-XXP	39	Screw flange
3.50	150	8	0156-9BXX	7		5.00	300	10	5ESDSR-XXP	39	
3.50	150	8	0156-9CXX	7	Lock flange	5.00	300	10	5ESDSRM-XXP	39	Screw flange
3.50	150	8	0156-9DXX	8	Release tool	5.00	300	10	5ESV-XXP	28	
3.50	300	10	0159-01XX	9	Screw flange	5.00	300	10	5ESVK-XXP	28	Release tool
3.50	300	10	0159-03XX	9		5.00	300	10	5ESVM-XXP	28	Screw flange
3.50	300	10	0159-04XX	9	Release tool	5.00	300	10	5ESR-XXP	28	
3.50	300	8	0159-05XX	10	Screw flange/light pipe	5.00	300	10	5ESRK-XXP	28	Release tool
3.50	300	8	0159-07XX	10	Light pipe	5.00	300	10	5ESRM-XXP	28	Screw flange
3.50	300	8	0159-08XX	10	Lock flange/light pipe	5.00	300	15	0161-01XX	33	Screw flange
3.50	300	8	0181-A1XX	32	Screw flange	5.00	300	15	0161-02XX	33	Lock flange
3.50	300	8	0181-A3XX	32		5.00	300	15	0161-03XX	33	
3.50	300	8	0221-20XX	25		5.00	300	15	0161-04XX	34	Release tool
3.50	300	8	0221-21XX	26	Lock flange	5.00	300	15	0227-01XX	17	Screw flange/light pipe
3.50	300	8	0221-24XX	26	Lock flange	5.00	300	15	0227-02XX	17	Lock flange/light pipe
3.50	300	8	0221-28XX	26	Screw flange	5.00	300	15	0227-03XX	17	Light pipe
3.50	300	8	0221-29XX	26	Release tool	5.00	300	15	0227-04XX	17	Release tool/light pipe
3.50	300	8	0225-01XX	13	Screw flange/light pipe	5.00	300	15	0227-06XX	18	Screw flange
3.50	300	8	0225-02XX	13	Lock flange/light pipe	5.00	300	15	0227-07XX	18	Lock flange
3.50	300	8	0225-03XX	13	Light pipe	5.00	300	15	0227-08XX	18	
3.50	300	8	0225-06XX	14	Screw flange	5.00	300	15	0227-09XX	18	Release tool
3.50	300	8	0225-07XX	14	Lock flange	5.00	300	15	0257-11XX	21	
3.50	300	8	0225-08XX	14		5.00	300	15	0257-12XX	22	Screw flange
3.50	300	8	0256-11XX	19		5.00	300	15	0257-14XX	22	Release tool
3.50	300	8	0256-12XX	20	Screw flange	5.08	300	8	0225-04XX	11	Screw flange
3.50	300	8	0256-14XX	20	Lock flange	5.08	300	8	0225-05XX	11	Lock flange
3.50	300	8	ESC350VK-XXP	38	Lock flange	5.08	300	8	0225-09XX	12	
3.50	300	8	ESC350VM-XXP	38	Screw flange	5.08	300	8	0225-0AXX	12	Release tool
3.50	300	8	ESC350V-XXP	38		5.08	300	12	0229-A5XX	12	Inverted plug
3.81	300	8	0221-42XX	27		5.08	300	12	0229-A9XX	12	Inverted plug
3.81	300	8	0221-43XX	27	Screw flange	5.08	300	12	0229-F4XX	11	Screw flange
3.81	300	8	0221-44XX	27	Lock flange	5.08	300	12	0229-F5XX	11	Lock flange
3.81	300	8	0256-61XX	20		5.08	300	12	0229-F9XX	12	
3.81	300	8	0256-62XX	20	Screw flange	5.08	300	12	0229-FAXX	12	Release tool
3.81	300	8	0256-64XX	20	Release tool	5.08	300	12	0229-M5XX	12	Assembly



PID (Push-In Design) PCB Connectors

Pitch (mm)	Voltage (V)	Current (A)	Part number	Page	Remarks	Pitch (mm)	Voltage (V)	Current (A)	Part number	Page	Remarks
5.08	300	12	0229-M9XX	12	Assembly	5.08	300	15	0257-64XX	22	Release tool
5.08	300	8	ESC508VM-XXP	40	Screw flange	5.08	300	15	2ESS-XXP	29	
5.08	300	8	ESC508V-XXP	40		5.08	300	15	2ESSM-XXP	29	Screw flange
5.08	300	10	0121-01XX	41	Screw flange / test holes	5.08	300	16	0150-20XX	35	Lock flange beneath
5.08	300	10	2ESDS-XXP	40		5.08	300	16	0150-21XX	35	Lock flange beneath
5.08	300	10	2ESDSM-XXP	40	Screw flange	6.35	600	20	0150-30XX	36	Lock flange beneath
5.08	300	10	2ESDSR-XXP	40		6.35	600	20	0150-31XX	36	Lock flange beneath
5.08	300	10	2ESDSRM-XXP	41	Screw flange	7.50	600	15	0150-40XX	36	Lock flange beneath
5.08	300	10	2ESDSV-XXP	29		7.62	300	10	3ESDS-XXP	42	
5.08	300	10	2ESDSVK-XXP	29	Release tool	7.62	300	10	3ESDSM-XXP	42	Screw flange
5.08	300	10	2ESDSVM-XXP	29	Screw flange	7.62	300	10	3ESDSR-XXP	42	
5.08	300	10	2ESRK-XXP	30	Release tool	7.62	300	10	3ESDSRM-XXP	42	Screw flange
5.08	300	10	2ESRM-XXP	30	Screw flange	7.62	300	18	3ESDSRH-XXP	42	
5.08	300	10	2ESR-XXP	30		7.62	300	18	3ESDSRH-XXP	42	Screw flange
5.08	300	10	2ESV-XXP	30							
5.08	300	10	2ESVK-XXP	30	Release tool						
5.08	300	10	2ESVM-XXP	30	Screw flange						
5.08	300	12	2ESDB-XXP	41							
5.08	300	12	2ESDBM-XXP	42	Screw flange						
5.08	300	12	2ESDBA-XXP	41							
5.08	300	12	2ESDBAM-XXP	42	Screw flange						
5.08	300	15	0257-61XX	22							
5.08	300	15	0257-62XX	22	Screw flange						



Sockets (Headers) For PID connectors

Pitch (mm)	Voltage (V)	Current (A)	Part number	Page	Remarks	Pitch (mm)	Voltage (V)	Current (A)	Part number	Page	Remarks
2.54	150	5	0156-10XX	4							
2.54	150	5	0156-10XXL	4	THR						
2.54	150	5	0156-12XX	5	Threaded flange/release tool						
2.54	150	5	0156-12XXL	5	THR						
2.54	150	5	0156-13XX	5	Threaded flange/release tool	2.54	150	6	0157-15XXL	6	THR
2.54	150	5	0156-13XXL	5	THR						
2.54	150	5	0156-15XX	4							
2.54	150	5	0156-15XXL	4	THR						
2.54	150	5	0156-16XX	6	Lock flange						
2.54	150	5	0156-16XXL	6	THR	3.50	150	8	0159-13XX	10	Threaded flange/release tool
2.54	150	5	0156-17XX	5	Threaded flange/release tool	3.50	150	8	0159-13XXL	10	THR
2.54	150	5	0156-17XXL	5	THR	3.50	150	8	0159-13XXLWR	84	Tape on reel packaging
2.54	150	5	0156-18XX	5	Threaded flange/release tool	3.50	150	8	0159-13XXWR	84	Tape on reel packaging
2.54	150	5	0156-18XXL	5	THR	3.50	150	8	0159-33XX	10	
2.54	150	5	0156-19XX	5	Lock flange	3.50	150	8	0159-33XXL	10	THR
2.54	150	5	0156-19XXL	5	THR	3.50	150	8	0159-33XXLWR	84	Tape on reel packaging
2.54	150	6	0157-10XXL	6	THR	3.50	150	8	0159-33XXWR	84	Tape on reel packaging

Table of Contents



Screw Connection PCB Terminal Blocks

Pitch (mm)	Voltage (V)	Current (A)	Part number	Page	Remarks	Pitch (mm)	Voltage (V)	Current (A)	Part number	Page	Remarks
5.08	300	20	EK508V4L-XXP	105	Double decked	7.50	300	30	ESK750V-XXP	106	
5.08	300	20	ESK508V3L-XXP	105	Triple decked	7.50	600	20	DT-123HVR-XXP	110	
5.08	300	20	ESK508V4L-XXP	106	Double decked	7.62	300	25	EHK3V-XXP	108	
5.08	300	20	EEK508V-XXP	106	High profile	7.62	300	30	DT-2320-XXP	110	
5.08	300	20	EESK508V-XXP	105	High profile	7.62	300	30	DT-2321-XXP	110	
5.08	300	20	E3K508V-XXP	106	High profile	7.62	300	30	ESK762V-XXP	107	
5.08	300	20	E3SK508V-XXP	106	High profile	7.62	300	30	EKB762V-XXP	108	
5.08	300	23	ESK508V-XXP	106		9.52	300	30	EK950V-XXP	107	
5.08	300	25	EHK2V-XXP	105		9.52	600	30	EK950HVN-XXP	107	
5.08	300	25	EHK508R-XXP	105		10.00	300	65	PDS-10S-XX	110	
5.08	300	25	EHK508V2L-XXP	106	Double decked	10.00	300	65	PDS-10-XX	110	
5.08	300	25	EHK508V3L-XXP	106	Triple decked	10.00	300		PDS-10A-XX	110	
5.08	300	25	E2HK508V-XXPAM	106	High profile	10.00	300		PDS-10SA-XX	110	
5.08	300	25	EEHK508V-XXP	105	Double decked	10.16	300	65	ESKW116V-XXP	107	
6.35	300	30	DT-2300-XXP	109		10.16	600	57(sol) / 65(str)	EPK116VS-XXP	108	
6.35	300	30	DT-2301-XXP	109		10.16	600	57/65	EPK116VN-XXP	107	
6.35	300	30	ESK635V-XXP	106		10.16	300/600	65/5	ESK116R-XXPAM	108	
6.35	300	30	EKB635V-XXP	105	Double decked	10.16	300/600	65/5	ESK116V-XXP	108	
6.35	600	35	EPK635VN-XXP	105		15.00	600	115	ESK150VM-XXP	107	
7.50	300	20	EK750V-XXP	107		15.00	600	115	ESK150V-XXP	107	
7.50	300	25	EHK7V-XXP	106		17.5	600	160	ESK175VM-XXP	109	
7.50	300	20/26	DT-123RA-XXP3	109		17.5	600	160	ESK175V-XXP	109	
7.50	300	20/26	DT-123VA-XXP3	109		20.00	600	200	ESK200VM-XXP	109	



Spring Clamp Connection PCB Terminal Blocks

Pitch (mm)	Voltage (V)	Current (A)	Part number	Page	Remarks	Pitch (mm)	Voltage (V)	Current (A)	Part number	Page	Remarks
2.50	300	4	WKA250A-XXP	111		5.00	300	15	WKA500-XXP	111	
2.50	300	4	WKV250A-XXP	112		5.00	300	15	WKA500-XXPL	111	THR
2.54	300	4	WKA254A-XXP	112		5.00	300	15	WSKA500S-XXP	111	
2.54	300	4	WKV254A-XXP	112		5.08	300	15	WKA508-XXP	111	
5.00	300	10	0188-12XXSMD	96		5.08	300	10	WKK508-XXP	112	
5.00	300	10	WKA50B-XXP	111		5.08	300	10	W3K508-XXP	112	
5.00	300	10	WKK500-XXP	112		5.08	300	10	W4K508-XXP	112	
5.00	300	10	W3K500-XXP	112		7.50	300	30	WSKA750S-XXP	112	
5.00	300	10	W4K500-XXP	112		10.00	300	57	WSKA100-XXP	112	



PCB Terminal Blocks for I/O Enclosures

Pitch (mm)	Voltage (V)	Current (A)	Part number	Page	Remarks	Pitch (mm)	Voltage (V)	Current (A)	Part number	Page	Remarks
3.81	150	8	BST-111-05	113		5.00	300	10	5ES-2PR	116	
3.81	150	8	BST-112-05	113		5.00	300	10	5ES-3PL	115	
3.81	150	8	BST-120-05	113		5.00	300	10	5ES-3PR	116	
3.81	150	8	BST-220-05	113		5.00	300	10	5ES-4PL	115	
5.00	300	10	5ES-2PL	115		5.00	300	10	5ES-4PR	116	



PCB Terminal Blocks for I/O Enclosures

Pitch (mm)	Voltage (V)	Current (A)	Part number	Page	Remarks	Pitch (mm)	Voltage (V)	Current (A)	Part number	Page	Remarks
5.00	300	15	5EH-2PL	115		5.00	300	20	0189-204PR	116	
5.00	300	15	5EH-2PLL	115	THR	5.00	300	20	0189-212PL	115	
5.00	300	15	5EH-2PR	116		5.00	300	20	0189-212PR	116	
5.00	300	15	5EH-2PRL	116	THR	5.00	300	20	0189-213PL	115	
5.00	300	15	5EH-3PL	115		5.00	300	20	0189-213PR	116	
5.00	300	15	5EH-3PLL	115	THR	5.00	300	20	0189-214PL	115	
5.00	300	15	5EH-3PR	116		5.00	300	20	0189-214PR	116	
5.00	300	15	5EH-3PRL	116	THR	5.08	300	8	0228-21XX	114	
5.00	300	15	5EH-4PL	115		5.08	300	8	0228-22XX	114	
5.00	300	15	5EH-4PLL	115	THR	5.08	300	8	0228-23XX	114	
5.00	300	15	5EH-4PR	116		7.50	300	20	7ES-3PL	117	
5.00	300	15	5EH-4PRL	116	THR	7.50	300	20	7ES-3PR	117	
5.00	300	20	0189-202PL	115		9.00	300	8	0171-10XX	114	Light pipe
5.00	300	20	0189-202PR	116		9.00	300	8	0171-11XX	114	Light pipe
5.00	300	20	0189-203PL	115		9.00	300	8	0171-60XX	114	
5.00	300	20	0189-203PR	116		12.50	300	15	0171-20XX	114	Light pipe
5.00	300	20	0189-204PL	115		12.50	300	15	0171-21XX	114	Light pipe

Panel Feed-through Terminal Blocks

Pitch (mm)	Voltage (V)	Current (A)	Part number	Page	Remarks	Pitch (mm)	Voltage (V)	Current (A)	Part number	Page	Remarks
8.10	300	30	PPACN-4	118		12.10	600	85	PPAC-16	119	
8.10	300	30	PPACNV-4	118		12.10	600	85	PPACV-16	119	
8.10	300	30	PPACNVH-4	118		12.10	600	85	PPACV-16Z	119	
10.00	300	30	PPAC-4SS	118		15.10	300	115	PPAC-25MAS	120	
10.00	300		PPAC-4SSG	118	Grounding	15.10	600	115	PPAC-25	120	
10.10	300	65	PPACN-10	119		15.10	300/600	100	PPAC-25AS	120	
10.10	300	65	PPACN-10AS	119		18.80	300	115	PPAC-50MAS	120	
10.10	300	65	PPACN-10Z	119		18.80	600	150	PPAC-50	120	
10.10	300	65	PPACNV-10	119		18.80	600	150	PPAC-50M	120	
10.10	300	65	PPACNV-10AS	119		18.80	300/600	150/5	PPAC-50AS	120	
10.10	300	65	PPACNV-10Z	119		25.00	300	230	PPAC-95	120	
12.10	300	85	PPAC-16AS	119		26.00	600	230	PPAC-95M	120	
12.10	300	85	PPACV-16AS	119		27.00	600	230	PPAC-95MAS	120	

Barrier Type Terminal Blocks

Pitch (mm)	Voltage (V)	Current (A)	Part number	Page	Remarks	Pitch (mm)	Voltage (V)	Current (A)	Part number	Page	Remarks
7.62	300	10	0186-10XX	125		7.62	300	15	DT-2G-B14W-XX	124	
7.62	300	15	DT-25-A02W-XX	123		8.25	300	20	DT-31-B01W-XX	124	
7.62	300	15	DT-25-B01W-XX	123		8.25	300	20	DT-35-A02W-XX	124	
7.62	300	15	DT-25-B07W-XX	124		8.25	300	20	DT-35-B01W-XX	124	
7.62	300	15	DT-25-B14W-XX	124		8.89	300	15	DT-3C-B01W-XX	126	
7.62	300	15	DT-2G-A02W-XX	123		8.89	300	15	DT-89-B01W-XX	126	
7.62	300	15	DT-2G-B01W-XX	123		9.50	300	20	DT-4C-B01W-XX	125	

Table of Contents

Barrier Type Terminal Blocks

Pitch (mm)	Voltage (V)	Current (A)	Part number	Page	Remarks	Pitch (mm)	Voltage (V)	Current (A)	Part number	Page	Remarks
9.50	300	20	DT-4C-B14W-XX	125		7.62	300	15	2DC-B01W-XX	136	
9.50	300	25	DT-45-A02W-XX	125		7.62	300	15	2DD-B01W-XX	136	
9.50	300	25	DT-45-B01W-XX	125		7.62	300	20	0032-23XX	136	
10.00	300	20	DT-5C-B01W-XX	127		9.52	300	20	4DC-B01W-XX	135	
10.00	300	20	DT-5C-B81W-XX	126		9.70	300	15	0032-4512	136	
10.00	300	20	DT-5C-B84W-XX	126		14.3	600	35	0113-10XX	136	
10.00	300	25	DT-55-B01W-XX	126		Pluggable Type, Triple Barrier, Bi-Level					
10.00	300	25	DT-55-B14W-XX	126		7.62	300	14	2DSAC-XX	138	
11.00	300	25	DT-65-A02W-XX	128		7.62	300	14	2DSAN-XX	137	
11.00	300	25	DT-65-B01W-XX	128		7.62	300	14	2DSB-01-XX	138	
11.00	300	25	DT-65-B14W-XX	128		7.62	300	14	2DSB-14-XX	138	
11.00	300	40	DT-66-B01W-XX	127		7.62	300	14	2DSCC-01-XX	138	
11.00	300	40	DT-66-B11W-XX	128		7.62	300	14	2DSDB-01-XX	138	
11.00	300	40	DT-66-C01W-XX	127		7.62	300	14	2DSDCN-01-XX	137	
11.00	300	40	DT-66-C11W-XX	128		9.52	300	15	4DSDAC-XX	139	
11.00	600	40	DT-66-B02W-XX	127		9.52	300	15	4DSDAN-XX	139	
13.00	600	40	DT-7C-A02W-XX	128		9.52	300	15	4DSDB-01-XX	139	
13.00	600	40	DT-7C-B01W-XX	128		9.52	300	15	4DSDCC-01-XX	139	
13.00	600	40	DT-7C-B18W-XX	128		Barrier Type Panel Feed Through Terminal Blocks					
16.00	600	50	0032-11XX	129		8.50	300	20	0168-10XX	140	
16.00	600	65	0166-80XX	129		8.50	300	20	0168-14XX	140	
16.00	600	65	0166-80XXC	129		8.50	300	20	0168-15XX	140	
Triple Barrier, Single Row						11.00	300	30	0168-20XX	141	
6.35	300	15	DT-29-B01W-XX	130		11.00	300	30	0168-24XX	141	
6.35	300	15	DT-29-B02W-XX	130		13.00	600	50	0168-32XX	142	
7.62	300	6	0032-09XX	130		13.00	600	50	0168-35XX	142	
7.62	300	10	0032-14XX	131		16.00	600	115	0168-40XX	141	
7.90	300	30	0167-10XX	132		16.00	600	115	0168-42XX	142	
8.25	300	20	DT-39-B01W-XX	131		16.00	600	115	0168-43XX	142	
8.25	300	20	DT-39-B02W-XX	131		16.00	600	115	0168-45XX	142	
8.80	600	20	0167-90XX	132		21.00	600	130	0168-50XX	141	
9.50	300	25	DT-49-B01W-XX	131		21.00	600	130	0168-51XX	141	
9.50	300	25	DT-49-B02W-XX	131		21.00	600	130	0168-54XX	142	
9.50	300	25	DT-49-C91W-XX	132		27.00	600	175	0168-62XX	143	
10.00	300	45	0186-40XX	132		27.00	600	175	0168-63XX	143	
11.00	300	30	DT-69-B01W-XX	132		27.00	600	175	0168-65XX	143	
11.00	300	50	0167-52XX	133		Quick Terminals / Tabs					
11.00	600	45	DT-69-H53W-XX	133		3.40		20	P-620	146	
11.00	600	50	0167-50XX	133		5.00		30	P-850	145	
12.70	600	43(sol)/45(str)	DT-79-B01W-XX	134		5.00		30	P-851	145	
13.00	300	65	0167-80XX	134		5.08		30	P-610	146	
13.00	300	65	0167-80XXC	134		5.08		30	P-860	145	
13.00	600	20	0167-70XX	134		5.08		30	P-861	145	
Triple Barrier, Bi-Level						5.08		30	P-871	145	
N 7.62	300	10	0032-15XX	135		5.08		30	P-872	145	

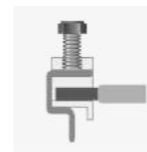
Barrier Type Terminal Blocks

Pitch (mm)	Voltage (V)	Current (A)	Part number	Page	Remarks	Pitch (mm)	Voltage (V)	Current (A)	Part number	Page	Remarks
7.00		50	P-820	146		13.00		40	DS-701	145	
7.50		80	P-810	146		13.00		40	DS-701R	145	
7.62		15	DS-201	145		15.40		150	P-840	146	
8.25		20	DS-301	145					S000001100-F	146	
9.50		25	DS-401	145					S000001200-F	146	
10.80		85	P-830	146					S000004700-F	146	
10.80		85	P-831	146					S000008400-F	146	
11.00		25	DS-601	145							

Accessories

			Part number	Page	Remarks				Part number	Page	Remarks
			0159K1L	10	Key coding				ECHK1	66	Key coding
			0225K1	14	Key coding				ECHK1L	66	Key coding, THR
			0225K2L	14	Key coding				ECHK2	66	Key coding
			0225K3	14	Key coding				EHDK1	66	Key coding
			0225K4L	14	Key coding				EHDK1L	66	Key coding, THR
			0227K1	17	Key coding				ESDK1	66	Key coding
			0227K2L	18	Key coding				ESDK2	66	Key coding
			CSC-01XX	66	Jumper				SDH-002	36	Wire entry tool
			ECHG1	70	Light pipe				SDH-003	36	Wire entry tool

Connection methods



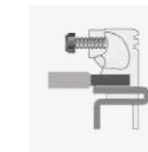
Screw connection



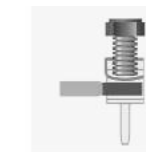
Spring clamp connection



Push-in design



Front screw connection

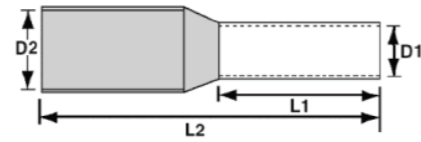


Wire protector type



Iron soldering

Wire Ferrules



Unit:mm

Part No.	Wire Range		Dimension Unit: mm ²		Dimension Unit: mm		DIN Color	Package		Tools	
	AWG	mm ²	D1	D2	L1	L2		pcs/bag	bags/box		
DN00206D DN00208D	24	0.2	0.75	1.9	6	10	Light Blue	1000	10	Note: The wire diameter of the table is determined according to UL486E, IEC998-1 and IEC947-7. Please refer to the table to select suitable ferrules. All recommended ferrules in this catalogue are in accordance with this table.	
DN00306D DN00308D					8	12					
DN00506D DN00508D DN00510D	20	0.5	1	2.6	6	10	Turquoise	500	8		
DN00706D DN00708D DN00710D DN00712D					8	14					White
DN01006D DN01008D DN01010D DN01012D					10	16					
DN01508D DN01510D DN01512D DN01518D	12	18									
DN02508D DN02510D DN02512D DN02518D	14	16	Black								
DN04010D DN04012D DN04018D	18	24		Blue							
DN06012D DN06018D	12	20									
DN10012D DN10018D	18	26			Grey						
DN16012D DN16018D	10	20	Yellow								
DN25016D DN25018D DN25022D	4	25		7.3	11.2	12	20				200
DN35016D DN35018D DN35025D			18			28					
DN50020D DN50025D			12			22	Red				
DN70021D DN95025D DN96027D DN97032D	18	28	Blue								
	25	39		Yellow							
	20	36									
	25	40									



DNT13-0102
28-7 AWG
0.08-10 mm²

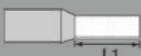
Wire Ferrules

PID connection PCB connectors

Wire range	Terminal blocks	Page	Strip length	Applicable Ferrules			Wire range	Terminal blocks	Page	Strip length	Applicable Ferrules												
				Ferrule P/N	AWG	mm ²					L1	Ferrule P/N	AWG	mm ²	L1								
30~20	0156-1AXX-BK	5	8	DN00308D	22	0.34	8	24~16	0226-01XX 0226-02XX 0226-03XX 0226-06XX 0226-07XX 0226-08XX	15 15 15 16 16 16	9 9 9 9 9 9	DN01010D	18	1	10								
	0156-1BXX-BK	4	8	DN00208D	24	0.25	8					DN00710D	18/20	0.75	10								
	0156-1CXX-BK	5	8									DN00510D	20	0.2	10								
	0156-1DXX-BK	5	8																				
26~18	0157-1AXX	6	8	DN00508D	20	0.2	8					26~12	0227-01XX 0227-02XX 0227-03XX 0227-04XX 0227-06XX 0227-07XX	17 17 17 17 18 18	13 13 13 13 13 13	DN02512D	14	2.5	12				
	0157-1BXX	6	8	DN00308D	22	0.34	8									DN01512D	16	1.5	12				
	0157-1CXX	6	8	DN00208D	24	0.25	8									DN01012D	18	1	12				
	0157-1DXX	6	8													DN00712D	18/20	0.75	12				
26~18	0156-2AXX-BK	7	8	DN01008D	18	1	8	28~16	0256-11XX 0256-12XX 0256-14XX 0256-61XX 0256-62XX 0256-64XX	19 20 20 20 20 20	11 11 11 11 11 11					DN01010D	18	1	10				
	0156-2BXX-BK	7	8	DN00708D	18/20	0.75	8									DN00710D	18/20	0.75	10				
	0156-2CXX-BK	7	8	DN00508D	20	0.2	8									DN00510D	20	0.2	10				
	0156-2DXX-BK	7	8	DN00308D	22	0.34	8																
	0156-9BXX	7	8	DN00208D	24	0.25	8																
26~16	0156-9AXX 0156-9DXX	8 8	8 8	DN01008D DN00708D DN00508D DN00308D DN00208D	18 18/20 20 22 24	1 0.75 0.2 0.34 0.25	8 8 8 8 8																
24~16	0159-01XX	9	10	DN01010D	18	1	10									26~12	0257-11XX 0257-12XX 0257-14XX 0257-61XX 0257-62XX 0257-64XX	21 22 22 22 22 22	12 12 12 12 12 12	DN02512D	14	2.5	12
	0159-02XX	9	10	DN00710D	18/20	0.75	10													DN01512D	16	1.5	12
	0159-04XX	9	10	DN00510D	20	0.2	10					DN01012D	18	1	12								
	0159-03XX	9	10									DN00712D	18/20	0.75	12								
	0159-05XX	10	10																				
	0159-07XX	10	10																				
	0159-08XX	10	10																				
28~16	0225-04XX	11	9	DN01010D	18	1	10	24~16	0184-11XX 0184-13XX 0184-15XX 0184-16XX	23 23 23 23	9 9 9 9	DN01010D	18	1	10								
	0225-05XX	11	9	DN00710D	18/20	0.75	10					DN00710D	18/20	0.75	10								
	0225-09XX	12	9	DN00510D	20	0.2	10					DN00510D	20	0.2	10								
	0225-0AXX	12	9																				
	0229-F4XX	11	9																				
	0229-F5XX	11	9																				
	0229-F9XX	12	9																				
	0229-FAXX	12	9																				
28~16	0225-01XX	13	9	DN01010D	18	1	10	24~16	0221-20XX 0221-21XX 0221-24XX 0221-28XX 0221-29XX	25 26 26 26 26	10 10 10 10 10	DN01010D	18	1	10								
	0225-02XX	13	9	DN00710D	18/20	0.75	10					DN00710D	18/20	0.75	10								
	0225-03XX	13	9	DN00510D	20	0.2	10					DN00510D	20	0.2	10								
	0225-06XX	14	9																				
	0225-07XX	14	9																				
	0225-08XX	14	9																				

Wire Ferrules

Screw connection PCB terminal blocks



Wire range	Terminal blocks	Page	Strip length	Applicable Ferrules				Wire range	Terminal blocks	Page	Strip length	Applicable Ferrules				
				Ferrule P/N	AWG	mm ²	L1					Ferrule P/N	AWG	mm ²	L1	
AWG			mm				AWG			mm						
28~12	EK750V-XXP	107	7	DN02508D	14	2.5	8	20~2	ESK150V-XXP	107	19	DN25018D	4	25	18	
				DN01508D	16	1.5	8					DN16018D	6	16	18	
				DN01008D	18	1	8					DN10018D	8	10	18	
				DN00708D	18/20	0.75	8					DN06018D	10	6	18	
				DN00508D	20	0.2	8					DN04018D	12	4	18	
				DN00308D	22	0.34	8					DN02518D	14	2.5	18	
				DN00208D	24	0.25	8					DN01518D	16	1.5	18	
24~10	ESK762V-XXP	107	8	DN02508D	14	2.5	8	22~12	DT-123VA-XXP	109	14	DN02512D	14	2.5	12	
	EKB762V-XXP	108	8	DN01508D	16	1.5	8		DT-123RA-XXP	109	14	DN01512D	16	1.5	12	
				DN01008D	18	1	8		DT-123VA-XXP3	109	14	DN01012D	18	1	12	
				DN00708D	18/20	0.75	8		DT-123RA-XXP3	109	14	DN00712D	18/20	0.75	12	
				DN00508D	20	0.2	8		DT-123HVR-XXP	110	14					
				DN00308D	22	0.34	8				DT-2301-XXP	109	14	DN04012D	12	4
24~12	EHK3V-XXP	108	7	DN02508D	14	2.5	8	22~10	DT-2300-XXP	109	14	DN02512D	14	2.5	12	
				DN01508D	16	1.5	8		DT-2321-XXP	110	14	DN01512D	16	1.5	12	
				DN01008D	18	1	8		DT-2320-XXP	110	14	DN01012D	18	1	12	
				DN00708D	18/20	0.75	8					DN00712D	18/20	0.75	12	
				DN00508D	20	0.2	8		24~6	PDS-10-XX	110	13	DN10012D	8	10	12
				DN00308D	22	0.34	8			PDS-10S-XX	110	13	DN06012D	10	6	12
				DN00208D	24	0.25	8			PDS-10A-XX	110	13	DN04012D	12	4	12
				PDS-10AS-XX	110	13	DN02512D	14		2.5	12					
26~10	EK950V-XXP	107	8	DN02508D	14	2.5	8					DN01512D	16	1.5	12	
				DN01508D	16	1.5	8					DN01012D	18	1	12	
				DN01008D	18	1	8					DN00712D	18/20	0.75	12	
				DN00708D	18/20	0.75	8									
				DN00508D	20	0.2	8									
				DN00308D	22	0.34	8									
				DN00208D	24	0.25	8									
20~6	ESK116V-XXP	108	11	DN10012D	8	10	12									
	ESK116R-XXPAM	108	11	DN06012D	10	6	12									
	EPK116VN-XXP	107	13	DN04012D	12	4	12									
	EPK116VS-XXP	107	13	DN02512D	14	2.5	12									
				DN01512D	16	1.5	12									
			DN01012D	18	1	12										
			DN00712D	18/20	0.75	12										

Spring clamp connection PCB terminal blocks



Wire range	Terminal blocks	Page	Strip length	Applicable Ferrules				Wire range	Terminal blocks	Page	Strip length	Applicable Ferrules				
				Ferrule P/N	AWG	mm ²	L1					Ferrule P/N	AWG	mm ²	L1	
AWG			mm				AWG			mm						
28~20	WKA250A-XXP	111	6	DN01006D	18	1	6	24~6	WSKA100-XXP	112	15	DN10018D	8	10	18	
	WKV250A-XXP	112	6	DN00706D	18/20	0.75	6					DN06018D	10	6	18	
	WKA254A-XXP	112	6	DN00506D	20	0.2	6					DN04018D	12	4	18	
	WKV254A-XXP	112	6	DN00306D	22	0.34	6					DN02518D	14	2.5	18	
				DN00206D	24	0.25	6					DN01518D	16	1.5	18	
24~16	WKA50B-XXP	111	10	DN01010D	18	1	10	22~14	5ES-2PL	115	8	DN01508D	16	1.5	8	
				DN00710D	18/20	0.75	10		5ES-3PL	115	8	DN01008D	18	1	8	
				DN00510D	20	0.2	10		5ES-4PL	115	8	DN00708D	18/20	0.75	8	
28~12	WSKA500S-XXP	111	11	DN02512D	14	2.5	12	5ES-2PR	116	8	DN00508D	20	0.2	8		
				DN01512D	16	1.5	12	5ES-3PR	116	8	DN00308D	22	0.34	8		
				DN01012D	18	1	12	5ES-4PR	116	8						
				DN00712D	18/20	0.75	12									
28~12	WKA500-XXP	111	6	DN01006D	18	1	6	30~12	7ES-3PL	117	8	DN02508D	14	2.5	8	
	WKK500-XXP	112	7	DN00706D	18/20	0.75	6		7ES-3PR	117	8	DN01508D	16	1.5	8	
	W3K500-XXP	112	7	DN00506D	20	0.2	6									
	W4K500-XXP	112	7	DN00306D	22	0.34	6		DN01008D	18	1	8				
	WKA500-XXPL	111	6	DN00206D	24	0.25	6		DN00708D	18/20	0.75	8				
	WKA508-XXP	111	6				DN00508D		20	0.2	8					
	WKK508-XXP	112	7				DN00308D		22	0.34	8					
	W3K508-XXP	112	7				DN00208D		24	0.25	8					
	W4K508-XXP	112	7													

I/O enclosure terminal blocks



Wire range	Terminal blocks	Page	Strip length	Applicable Ferrules				Wire range	Terminal blocks	Page	Strip length	Applicable Ferrules				
				Ferrule P/N	AWG	mm ²	L1					Ferrule P/N	AWG	mm ²	L1	
AWG			mm				AWG			mm						
28~16	0228-21XX	114	9	DN01010D	18	1	10	24~12	0189-202PL	115	11	DN02512D	14	2.5	12	
	0228-22XX	114	9	DN00710D	18/20	0.75	10		0189-202PR	116	11	DN01512D	16	1.5	12	
	0228-23XX	114	9	DN00510D	20	0.2	10		0189-203PL	115	11	DN01012D	18	1	12	
28~16	0171-10XX	114	8	DN01008D	18	1	8		0189-203PR	116	11	DN00712D	18/20	0.75	12	
	0171-11XX	114	8	DN00708D	18/20	0.75	8		0189-204PL	115	11					
	0171-60XX	114	8	DN00508D	20	0.2	8		0189-204PR	116	11					
				DN00308D	22	0.34	8		0189-212PL	115	11					
				DN00208D	24	0.25	8		0189-212PR	116	11					
24~12	0171-20XX	114	10	DN02510D	14	2.5	10		0189-213PL	115	11					
	0171-21XX	114	10	DN01510D	16	1.5	10		0189-213PR	116	11					
				DN01010D	18	1	10		0189-214PL	115	11					
				DN00710D	18/20	0.75	10		0189-214PR	116	11					
				DN00510D	20	0.2	10									

P-LUP Family PCB Connectors & PCB Terminal Blocks

Highlights

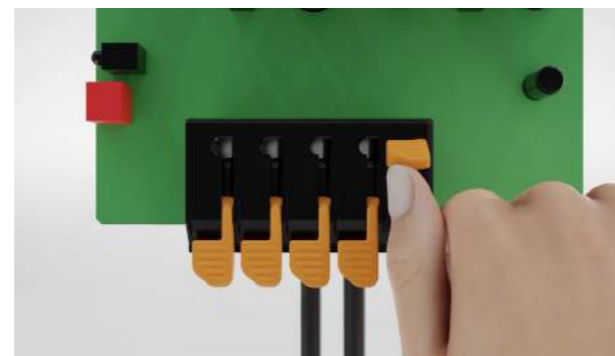
Dinkle new lever up design terminal block, P-LUP family, adopts a new lever up type wiring structure, which brings more convenient operation. The 0274 series PCB terminal block and the 0256 and 0257 series PCB connectors optimize levers' operability and maintain the high reliability of push-in connections. The new P-LUP family of products uses push-in connection method with lever-up lever to make wiring task faster and easier than ever, up to 4 AWG (25 mm²) and electrical specifications from 300V/20A~600V/51A (UL). We will continue to develop P-LUP family to meet the diverse needs of industrial wiring.



Product Features:

1. Perfect operating experience

The lever up type product is ergonomically designed for simple and time-saving operation and quick wiring, providing a high reliability connection and ensuring the overall efficient operation of the system.



2. Tool-free & push-in (PID) connection

The lever up type push-in design connection can easily insert the solid wire or the ferruled stranded wire without any tool to save wiring time, and easy to release the conductors by the lever-up lever without tool free.



3. Test hole for continuity confirmation

P-LUP series are designed with electrical testing holes, which is convenient for users to check the continuity.

4. Excellent contact stability

Push-in connection technology makes the conductors of solid wires and ferruled wires can be easily inserted into the clamp. Lever up type design ensures reliable contact and long-term stability of inserted conductors. Dual solder pins bring a steadily soldering on the PCB.



5. Simple and clear marking system

With D-Thermo marking system and the latest flat marking plate, the design of the marking area of the terminal block can be marked by label strip at one time, which is easy to mark and easy to identify.

* For D-Thermo marking system, please refer to Dinkle catalogue DC-34.2

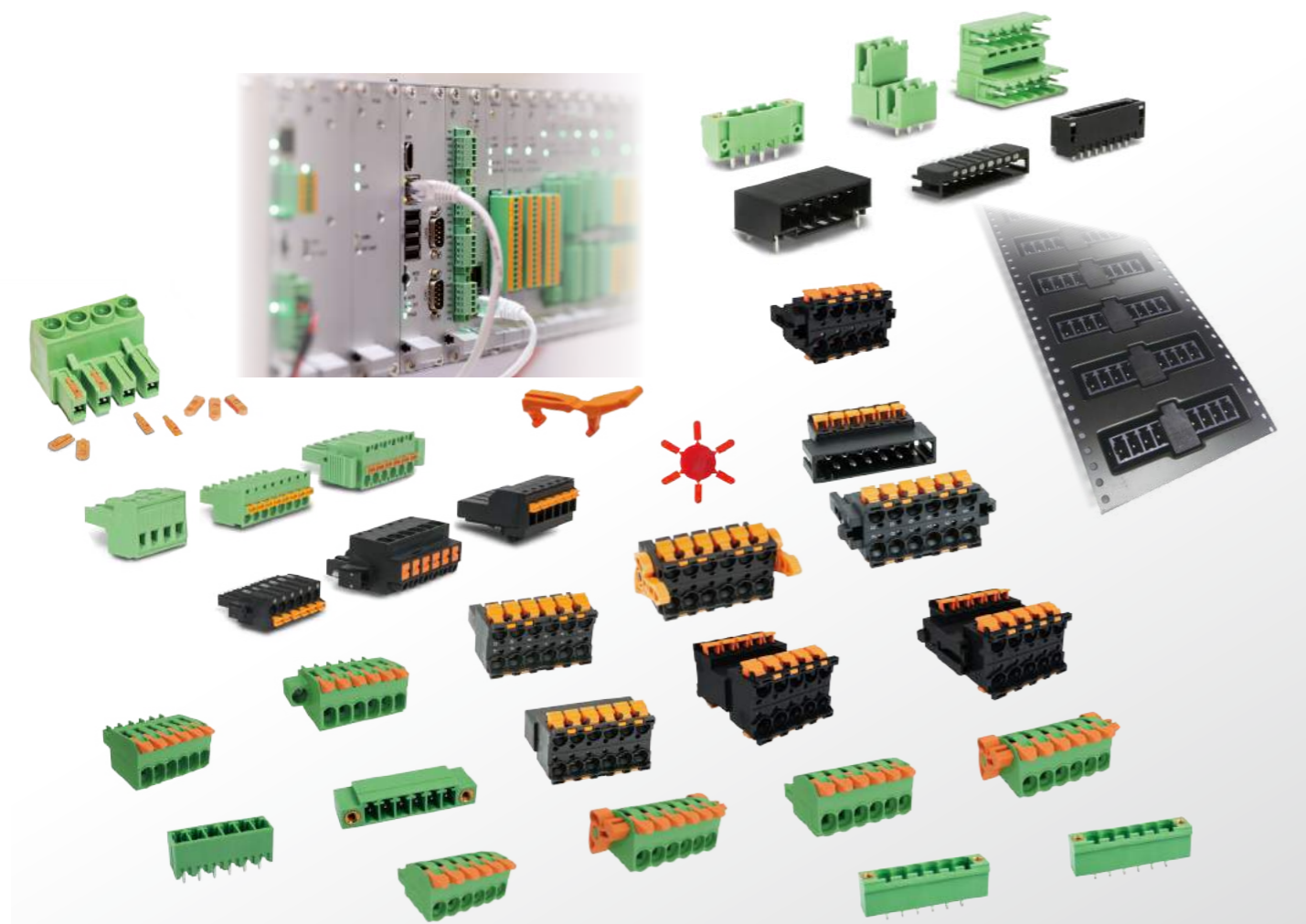
PCB Connectors

PCB connectors are usually combined by 2 parts, the plug for wiring and the socket (header) for soldering onto PCB. Please consider the mechanical specifications such as dimensions, insulation material (for wave soldering or reflow soldering) and mounting means and the electrical properties focus on spacings and contact resistance. Dinkle PCB connectors meet UL1059 and IEC/EN61984 with safety approvals.

Dinkle PCB connector supplies push-in and screw connection methods to fulfill different connection demands. Pitches are from 2.5mm to 10.16mm with current from 2A up to 76A (IEC) for wide range in industrial fields.

The connection methods of the plugs includes push-in design (PID) and screw type. The users can decide the proper plug according to the installation and use conditions.

The sockets are supplied in general materials and high temperature withstand materials for the application of wave soldering or reflow soldering process. The socket part numbers with suffix "L" means it is made of high temperature withstand materials which is suitable for the reflow soldering process.



PID (Push-In Design) Plugs & Sockets

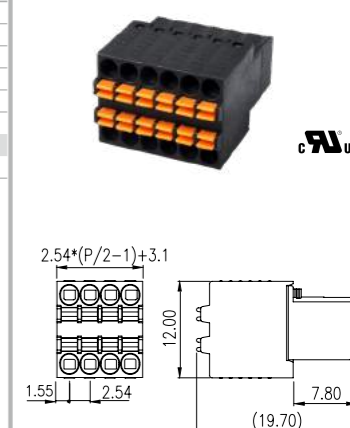


Connection technology- push-in design connection, for easy and flexible conductor connection

Connection method: Push-in design
Pitch: 2.54mm / 3.50mm / 3.81mm
UL Rated: 150V / 5A, 150V / 8A, 300V / 8A
IEC Rated: 250V / 8A, 320V / 6A, 320V / 8A, 320V / 10A

- Vertical and parallel plug-in directions to PCB are available
- Compact double-level plug for high connection density
- Type of locking includes screw flange, lock flange and release tool
- THR version socket is available, pin length 2.6mm (The last suffix "L" represents THR version.)

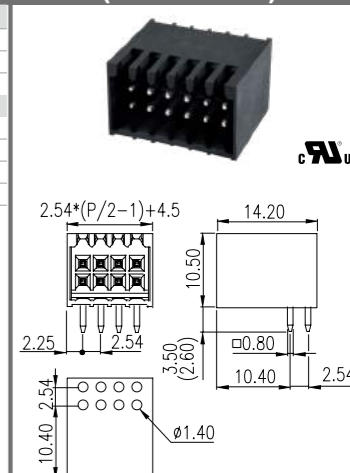
2.54mm		0156-1BXX-BK	
Technical Data	UL	IEC	
Rated voltage	150V	320V	
Rated current	5A	6A	
Solid (AWG/mm ²)	30~20	0.2~0.5	
Flexible (AWG/mm ²)	30~20	0.2~0.5	
Rated impulse voltage		2.5KV	
Wire strip length	7~8mm		
Number of Positions		06~44P	
0156-1BXX-BK		06~44P	



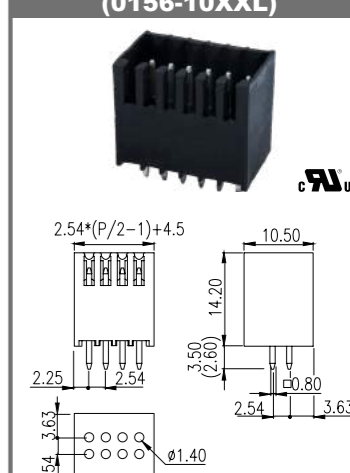
2.54mm		0156-15XX (0156-15XXL)	
Technical Data	UL	IEC	
Rated voltage	150V	320V	
Rated current	5A	6A	
Rated impulse voltage		2.5KV	
Number of Positions		06~44P	
0156-10XX		06~44P	
0156-10XXL		06~44P	
0156-15XX		06~44P	
0156-15XXL		06~44P	

For THR products, Surge voltage category/pollution degree III/2 II/2

Rated voltage 160 160



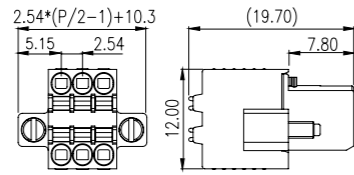
2.54mm		0156-10XX (0156-10XXL)	
Number of Positions		06~44P	
0156-10XX		06~44P	
0156-10XXL		06~44P	



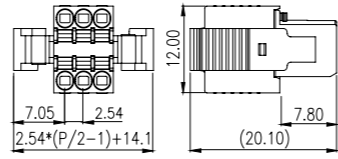
2.54mm

0156-1AXX-BK

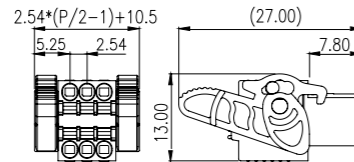
Technical Data	UL	IEC
Rated voltage	150V	320V
Rated current	5A	6A
Solid (AWG/mm ²)	30~20	0.2~0.5
Flexible (AWG/mm ²)	30~20	0.2~0.5
Rated impulse voltage	2.5KV	
Wire strip length	7~8mm	
Number of Positions		
0156-1AXX-BK	04~44P	
0156-1CXX-BK	06~44P	
0156-1DXX-BK	04~44P	



0156-1CXX-BK



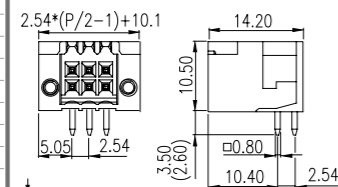
0156-1DXX-BK



2.54mm

0156-17XX (0156-17XXL)

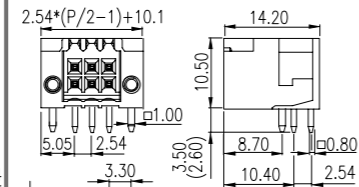
Technical Data	UL	IEC
Rated voltage	150V	320V
Rated current	5A	6A
Rated impulse voltage	2.5KV	
Number of Positions		
0156-12XX	06~44P	
0156-12XXL	06~44P	
0156-13XX	04~44P	
0156-13XXL	04~44P	
0156-16XX	06~44P	
0156-16XXL	06~44P	
0156-17XX	06~44P	
0156-17XXL	06~44P	
0156-18XX	04~44P	
0156-18XXL	04~44P	
0156-19XX	06~44P	
0156-19XXL	06~44P	



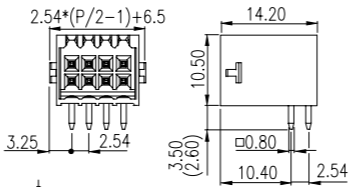
0156-18XX (0156-18XXL)



with support pins



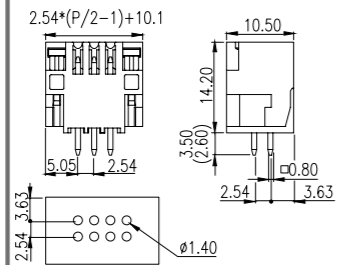
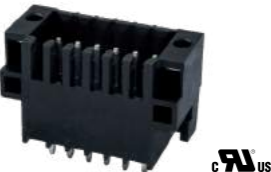
0156-19XX (0156-19XXL)



For THR products,
Surge voltage category/pollution degree
III/2 II/2

Rated voltage
160 160

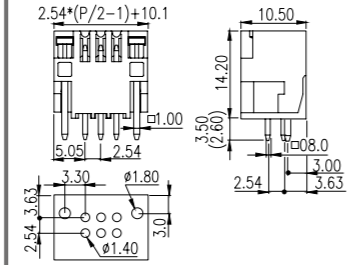
0156-12XX (0156-12XXL)



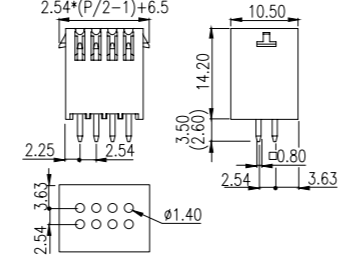
0156-13XX (0156-13XXL)



with support pins



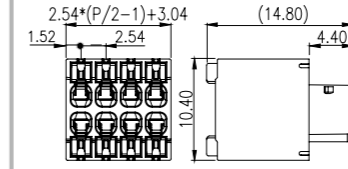
0156-16XX (0156-16XXL)



2.54mm

0157-1BXX

Technical Data	UL	IEC
Rated voltage	150V	250V
Rated current	6A	6A
Solid (AWG/mm ²)	26~18	0.2~0.5
Flexible (AWG/mm ²)	26~18	0.2~0.5
Rated impulse voltage	2.5KV	
Wire strip length	7~8mm	
Number of Positions		
0157-1BXX	04~32P	



2.54mm

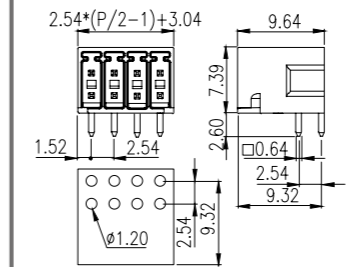
0157-15XXL

Technical Data	UL	IEC
Rated voltage	150V	250V
Rated current	6A	6A
Rated impulse voltage	2.5KV	
Number of Positions		
0157-10XXL	04~32P	
0157-15XXL	04~32P	

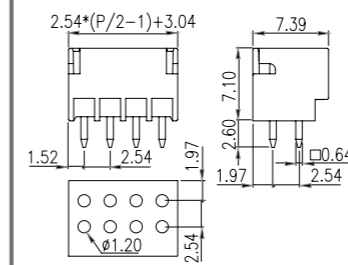
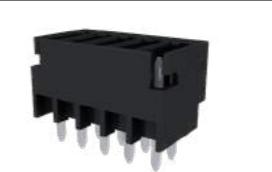


For THR products,
Surge voltage category/pollution degree
III/2 II/2

Rated voltage
160 160



0157-10XXL



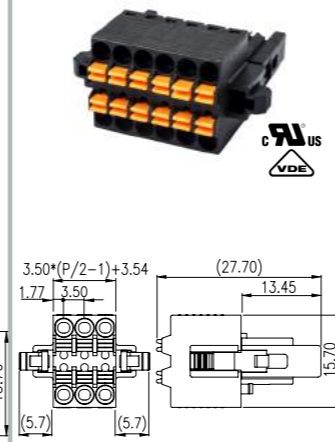
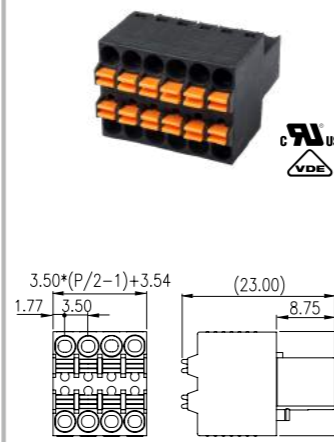
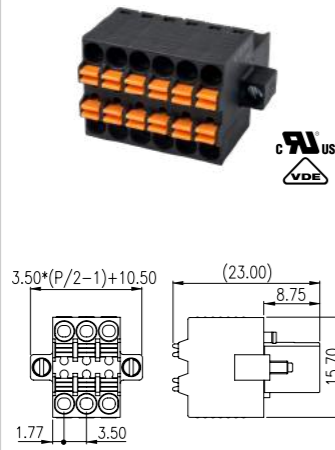
3.50mm

0156-2AXX-BK

0156-2BXX-BK

0156-2CXX-BK

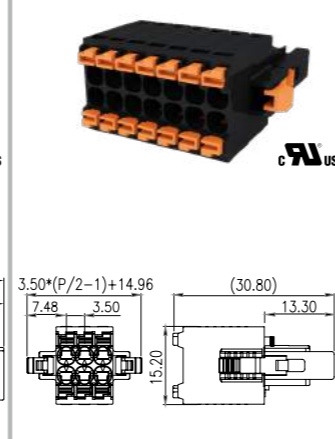
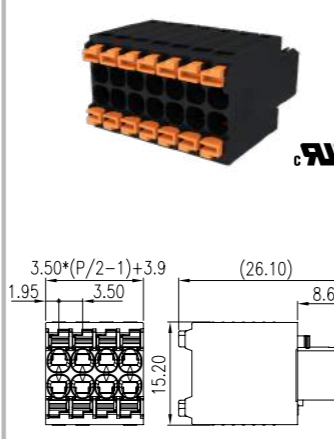
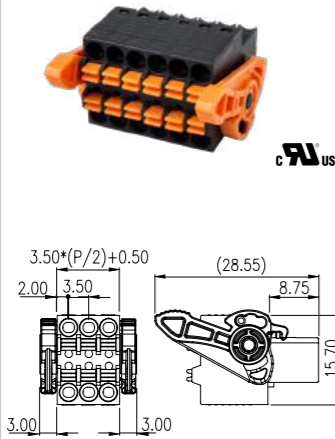
Technical Data		
UL	IEC	
Rated voltage		
0156-2AXX-BK	150V	320V
0156-2BXX-BK	150V	320V
0156-2CXX-BK	150V	320V
0156-2DXX-BK	150V	320V
0156-9BXX	300V	320V
0156-9CXX	300V	320V
Rated current		
0156-2AXX-BK	8A	10A
0156-2BXX-BK	8A	10A
0156-2CXX-BK	8A	10A
0156-2DXX-BK	8A	10A
0156-9BXX	10A	10A
0156-9CXX	10A	10A
Solid (AWG/mm ²)	28-16	0.2-1.0
Flexible (AWG/mm ²)	28-16	0.2-1.5
Rated impulse voltage	2.5KV	
Wire strip length	8-9mm	
Number of Positions		
0156-2AXX-BK	04-40P	
0156-2BXX-BK	04-44P	
0156-2CXX-BK	04-40P	
0156-2DXX-BK	04-40P	
0156-9BXX	04-44P	
0156-9CXX	04-40P	



0156-2DXX-BK

0156-9BXX

0156-9CXX



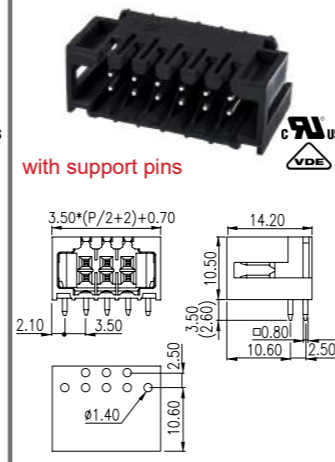
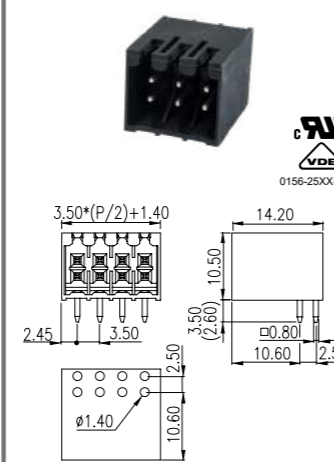
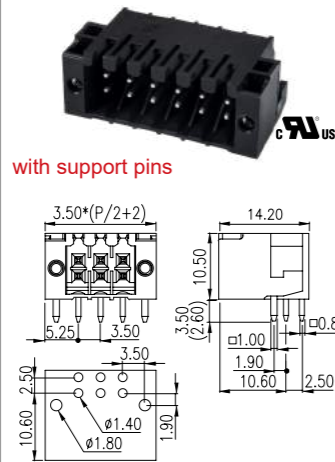
3.50mm

0156-26XX-BK (0156-26XXL)

0156-25XX-BK (0156-25XXL)

0156-29XX-BK (0156-29XXL)

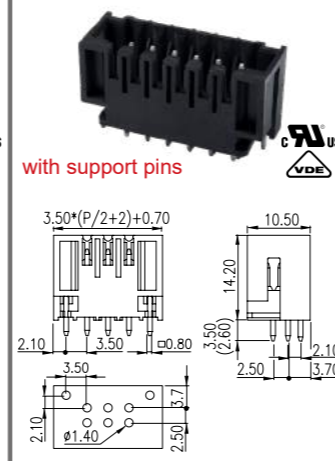
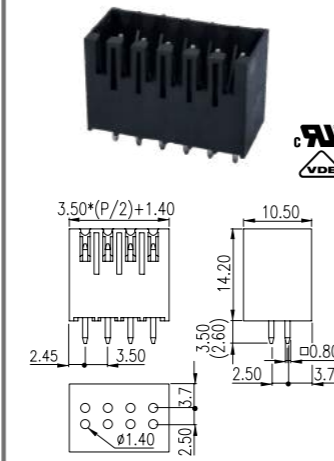
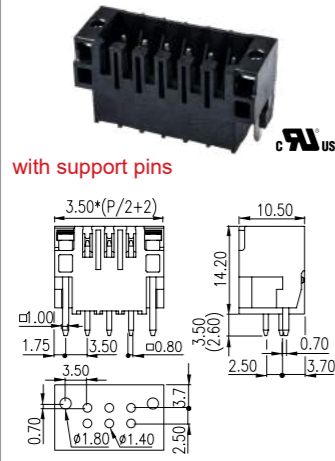
Technical Data		
UL	IEC	
Rated voltage		
150V	320V	
Rated current		
10A	10A	
Rated impulse voltage		
2.5KV		
Number of Positions		
0156-20XX-BK	04-44P	
0156-20XXL	04-44P	
0156-21XX-BK	04-40P	
0156-21XXL	04-40P	
0156-24XX-BK	04-40P	
0156-24XXL	04-40P	
0156-25XX-BK	04-44P	
0156-25XXL	04-44P	
0156-26XX-BK	04-40P	
0156-26XXL	04-40P	
0156-29XX-BK	04-40P	
0156-29XXL	04-40P	



0156-21XX-BK (0156-21XXL)

0156-20XX-BK (0156-20XXL)

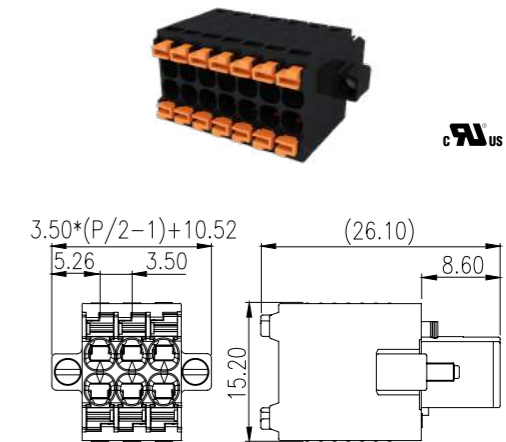
0156-24XX-BK (0156-24XXL)



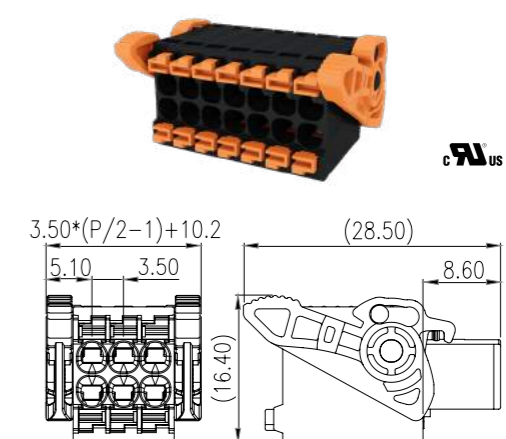
3.50mm

0156-9AXX

Technical Data		
UL	IEC	
Rated voltage		
300V	320V	
Rated current		
10A	10A	
Solid (AWG/mm ²)		
26-16	0.2-1.5	
Flexible (AWG/mm ²)		
26-16	0.2-1.5	
Rated impulse voltage		
2.5KV		
Wire strip length		
11-12mm		
Number of Positions		
0156-9AXX	04-40P	
0156-9DXX	04-40P	



0156-9DXX

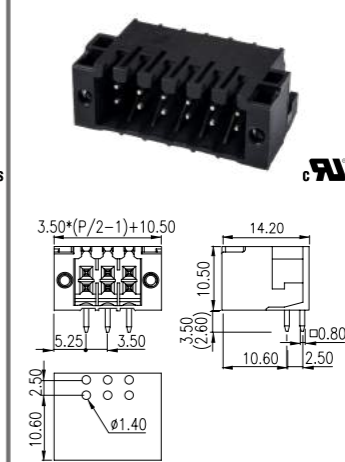
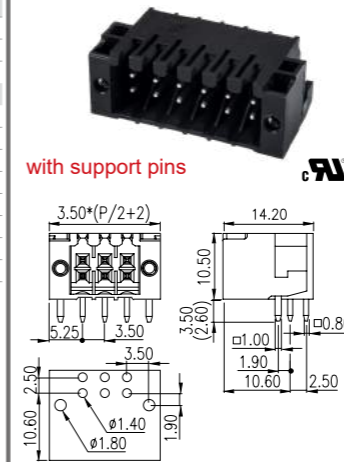


3.50mm

0156-26XX-BK (0156-26XXL)

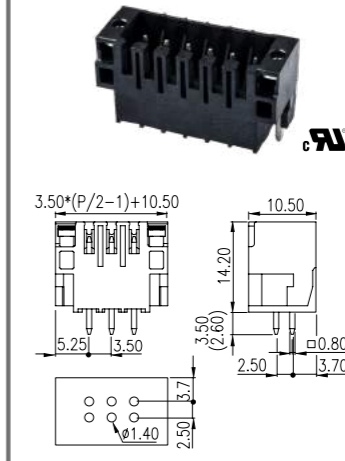
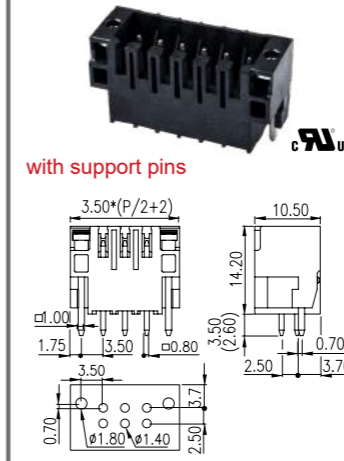
0156-27XX-BK (0156-27XXL)

Technical Data		
UL	IEC	
Rated voltage		
150V	320V	
Rated current		
10A	10A	
Rated impulse voltage		
2.5KV		
Number of Positions		
0156-21XX-BK	04-40P	
0156-21XXL	04-40P	
0156-22XX-BK	04-40P	
0156-22XXL	04-40P	
0156-26XX-BK	04-40P	
0156-26XXL	04-40P	
0156-27XX-BK	04-40P	
0156-27XXL	04-40P	



0156-21XX-BK (0156-21XXL)

0156-22XX-BK (0156-22XXL)

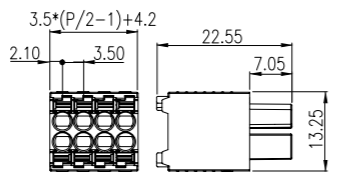
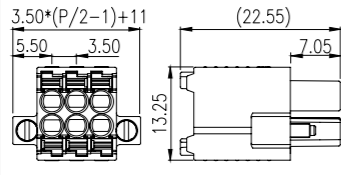


3.5mm

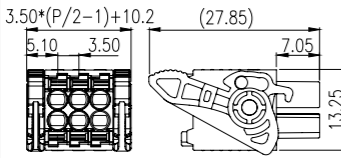
0159-01XX

0159-03XX

Technical Data	UL	IEC
Rated voltage	300V	320V
Rated current	10A	10A
Solid (AWG/mm ²)	24~16	0.2~1.5
Flexible (AWG/mm ²)	24~16	0.2~1.5
Rated impulse voltage	2.5KV	
Wire strip length	9~10mm	
Number of Positions		
0159-01XX	04~40P	
0159-02XX	04~40P	
0159-03XX	04~40P	
0159-04XX	04~40P	



0159-04XX



3.5mm

0159-05XX

0159-07XX

0159K1L

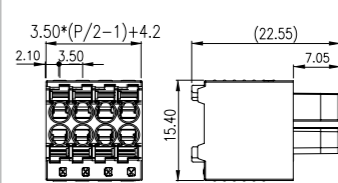
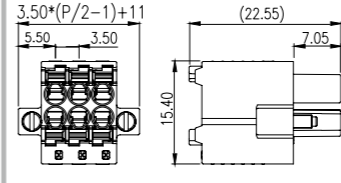
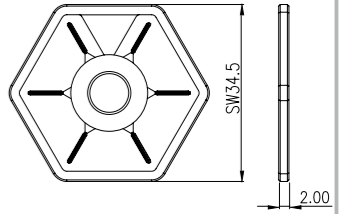
Technical Data	UL	IEC
Rated voltage	300V	320V
Rated current	8A	8A
Solid (AWG/mm ²)	24~16	0.2~1.5
Flexible (AWG/mm ²)	24~16	0.2~1.5
Rated impulse voltage	2.5KV	
Wire strip length	9~10mm	
0159-07XX	8A	8A
Number of Positions		
0159-05XX	04~40P	
0159-07XX	04~40P	
0159-08XX	04~40P	



with light pipe



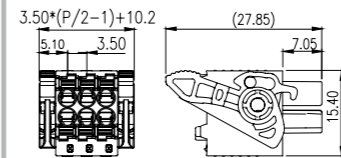
with light pipe



0159-08XX



with light pipe



3.5mm

0159-11XX (0159-11XXL)

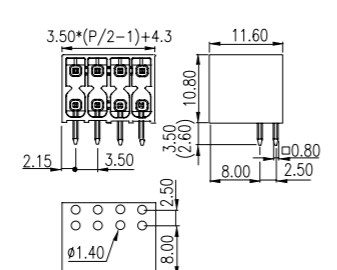
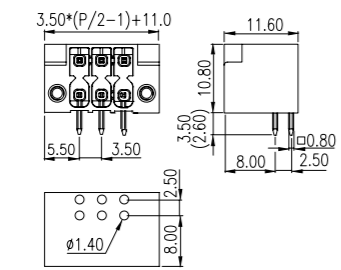
0159-31XX (0159-31XXL)

3.5mm

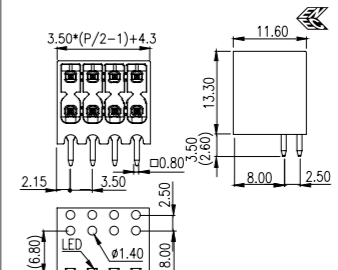
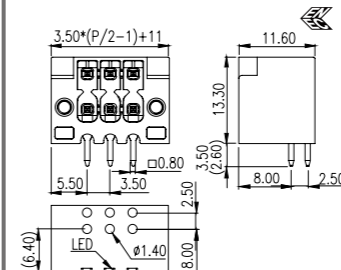
0159-13XX (0159-13XXL)

0159-33XX (0159-33XXL)

Technical Data	UL	IEC
Rated voltage	300V	320V
Rated current	10A	10A
Rated impulse voltage	2.5KV	
Number of Positions		
0159-11XX	04~40P	
0159-11XXL	04~40P	
0159-12XX	04~40P	
0159-12XXL	04~40P	
0159-31XX	04~40P	
0159-31XXL	04~40P	
0159-32XX	04~40P	
0159-32XXL	04~40P	

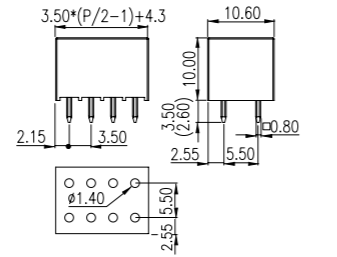
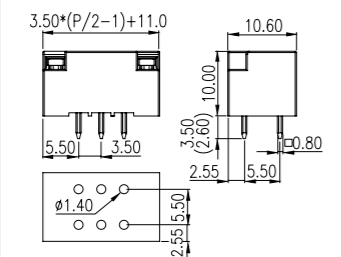


Technical Data	UL	IEC
Rated voltage	300V	320V
Rated current	8A	8A
0159-13XX(L)	8A	8A
0159-31XX(L)	8A	8A
0159-32XX(L)	8A	8A
0159-33XX(L)	8A	8A
Rated impulse voltage	2.5KV	
Number of Positions		
0159-13XX	04~40P	
0159-13XXL	04~40P	
0159-33XX	04~40P	
0159-33XXL	04~40P	



0159-12XX (0159-12XXL)

0159-32XX (0159-32XXL)



PID Plugs & Sockets - Slim Type



Connection method:
Push-in connection

Pitch: 3.50mm /
5.00mm /
5.08mm

UL Rated: 300V / 8A ~
300V / 15A

IEC Rated: 320V / 14A ~
600V / 18A

- Double-level plug and socket
- Options with LED light pipe for indication
- Versions with screw flange and lock flange
- THR version socket is available, pin length 2.6mm (The last suffix "L" represents THR version.)

5.08mm			0225-04XX	0225-05XX	0225-09XX	0225-0AXX	0229-M5XXY	0229-M9XXY
Technical Data	UL	IEC						
Rated voltage	300V	320V						
Rated current								
0225-04XX	8A	14A						
0225-05XX	8A	14A						
0225-09XX	8A	14A						
0225-0AXX	8A	14A						
0229-F4XX	12A	14A						
0229-F5XX	12A	14A						
0229-F9XX	12A	14A						
0229-FAXX	12A	14A						
0229-M5XXY	12A	14A						
0229-M9XXY	12A	14A						
Solid (AWG/mm ²)	28-16	0.2-1.5						
Flexible (AWG/mm ²)	28-16	0.2-1.5						
Rated impulse voltage	4KV							
Wire strip length	8-9mm							
Number of Positions								
0225-04XX	04-40P							
0225-05XX	04-40P							
0225-09XX	04-40P							
0225-0AXX	04-40P							
0229-F4XX	04-40P							
0229-F5XX	04-40P							
0229-F9XX	04-40P							
0229-FAXX	04-40P							
0229-M5XXY	04-16P							
0229-M9XXY	04-16P							

5.08mm			0229-F4XX	0229-F5XX	0229-F9XX	0229-FAXX	0229-F5XXY	0229-A5XXY	0229-M5XXY
with test holes									

5.08mm			0225-46XX	0225-56XX	0225-66XX	0225-76XX	0229-A9XXY	0229-F9XXY	0229-M9XXY
Technical Data	UL	IEC							
Rated voltage	300V	320V							
Rated current	12A	14A							
Rated impulse voltage	4KV								
Number of Positions									
0225-46XX	04-40P								
0225-47XX	04-40P								
0225-56XX	04-40P								
0225-57XX	04-40P								
0225-66XX	04-40P								
0225-67XX	04-40P								
0225-76XX	04-40P								
0225-77XX	04-40P								
0229-A5XXY	04-16P								
0229-A9XXY	04-16P								

5.08mm			0225-47XX	0225-57XX	0225-67XX	0225-77XX	0229-A5XX	0229-A9XX	

3.5mm

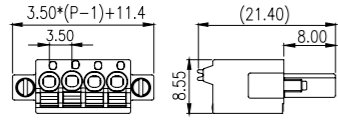
Technical Data	UL	IEC
Rated voltage	300V	630V
Rated current	8A	15A
Solid (AWG/mm ²)	28~16	0.2~1.5
Flexible (AWG/mm ²)	28~16	0.2~1.5
Rated impulse voltage	4KV	
Wire strip length	8~9mm	
Number of Positions		
0225-01XX	02~24P	
0225-02XX	02~24P	
0225-03XX	02~24P	

• The product integrates light pipe for better indication

0225-01XX



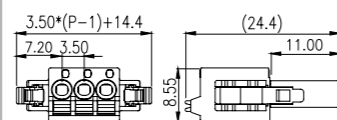
with light pipe



0225-02XX



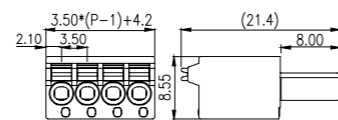
with light pipe



0225-03XX



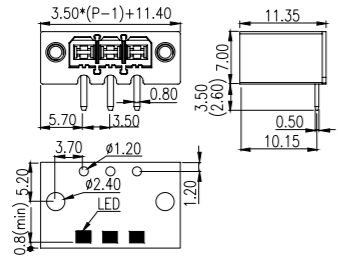
with light pipe



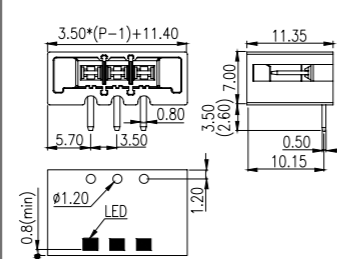
3.5mm

Technical Data	UL	IEC
Rated voltage	300V	630V
Rated current	8A	15A
Rated impulse voltage	4KV	
Number of Positions		
0225-13XX	02~14P	
0225-13XXL	02~24P	
0225-14XX	02~24P	
0225-14XXL	02~24P	
0225-23XX	02~14P	
0225-23XXL	02~24P	
0225-24XX	02~24P	
0225-24XXL	02~24P	
0225-33XX	02~14P	
0225-33XXL	02~24P	
0225-34XX	02~24P	
0225-34XXL	02~24P	

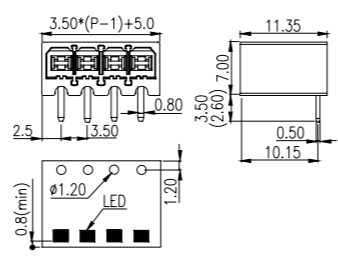
0225-13XX (0225-13XXL)



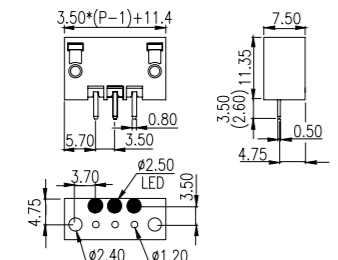
0225-23XX (0225-23XXL)



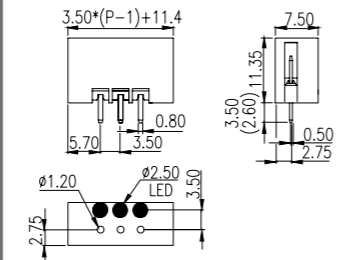
0225-33XX (0225-33XXL)



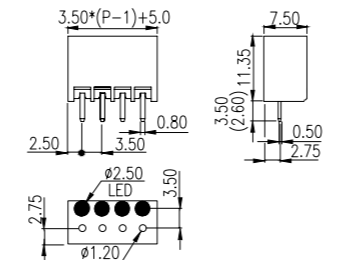
0225-14XX (0225-14XXL)



0225-24XX (0225-24XXL)



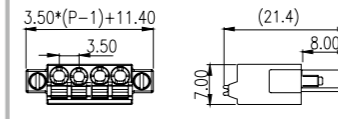
0225-34XX (0225-34XXL)



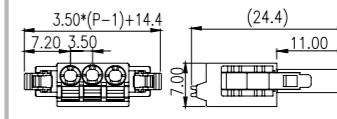
3.5mm

Technical Data	UL	IEC
Rated voltage	300V	630V
Rated current	8A	15A
Solid (AWG/mm ²)	28~16	0.2~1.5
Flexible (AWG/mm ²)	28~16	0.2~1.5
Rated impulse voltage	4KV	
Wire strip length	8~9mm	
Number of Positions		
0225-06XX	02~24P	
0225-07XX	02~24P	
0225-08XX	02~24P	

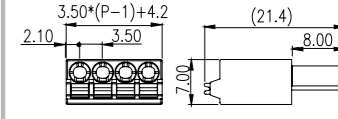
0225-06XX



0225-07XX



0225-08XX



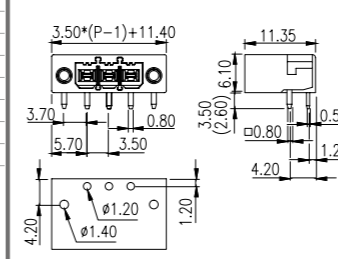
3.5mm

Technical Data	UL	IEC
Rated voltage	300V	630V
Rated current	8A	15A
Rated impulse voltage	4KV	
Number of Positions		
0225-16XX	02~24P	
0225-16XXL	02~24P	
0225-17XX	02~24P	
0225-17XXL	02~24P	
0225-26XX	02~24P	
0225-26XXL	02~24P	
0225-27XX	02~24P	
0225-27XXL	02~24P	
0225-36XX	02~24P	
0225-36XXL	02~24P	
0225-37XX	02~24P	
0225-37XXL	02~24P	

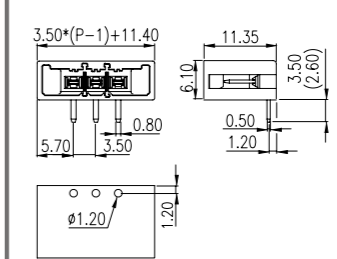
0225-16XX (0225-16XXL)



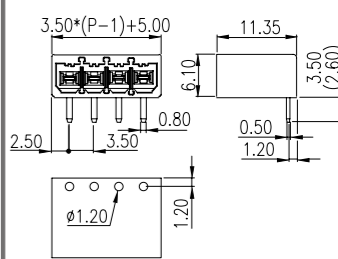
with support pins



0225-26XX (0225-26XXL)



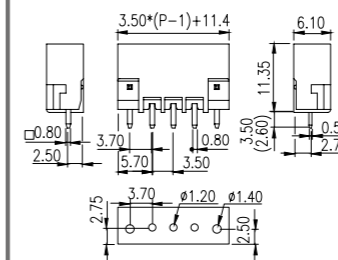
0225-36XX (0225-36XXL)



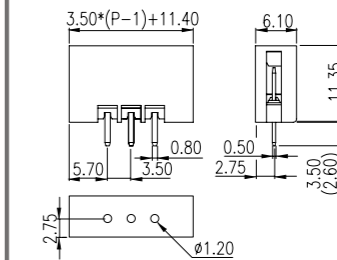
0225-17XX (0225-17XXL)



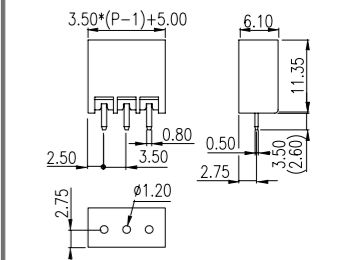
with support pins



0225-27XX (0225-27XXL)

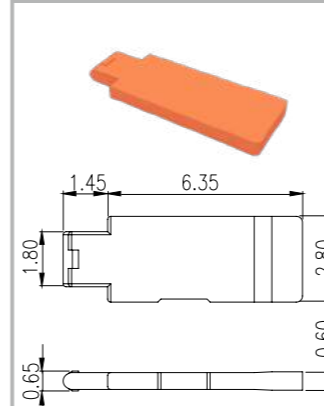


0225-37XX (0225-37XXL)

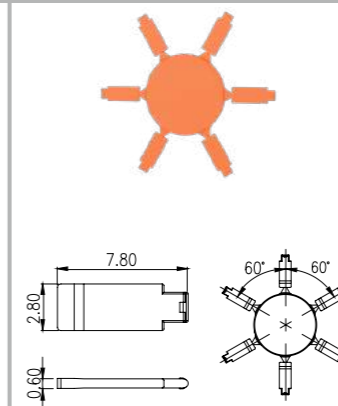


ACCESSORIES

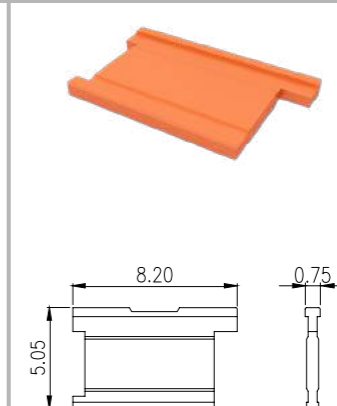
0225K1



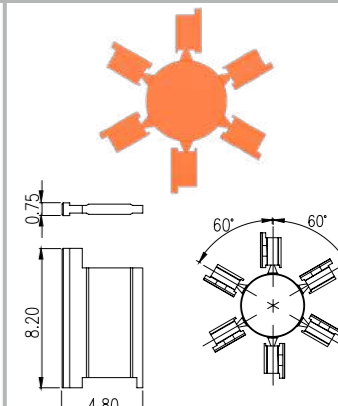
0225K3



0225K2L



0225K4L



5.00mm

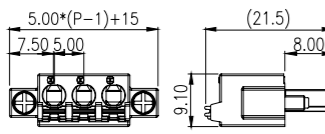
Technical Data	UL	IEC
Rated voltage	300V	630V
Rated current	10A	17.5A
Solid (AWG/mm ²)	24~16	0.2~1.5
Flexible (AWG/mm ²)	24~16	0.2~1.5
Rated impulse voltage		4KV
Wire strip length	8~9mm	
Number of Positions		
0226-01XX	02~16P	
0226-02XX	02~16P	
0226-03XX	02~16P	
Accessories		
0225K1	P16	
0225K3	P16	

• The product integrates light pipe for better indication

0226-01XX



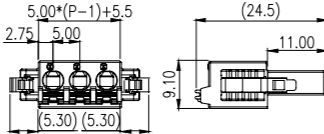
with light pipe



0226-02XX



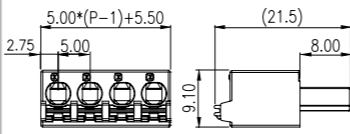
with light pipe



0226-03XX



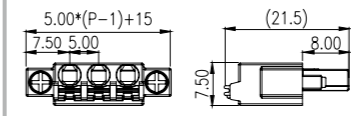
with light pipe



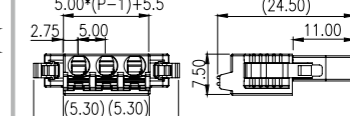
5.00mm

Technical Data	UL	IEC
Rated voltage	300V	630V
Rated current	10A	17.5A
Solid (AWG/mm ²)	24~16	0.2~1.5
Flexible (AWG/mm ²)	24~16	0.2~1.5
Rated impulse voltage		4KV
Wire strip length	8~9mm	
Number of Positions		
0226-06XX	02~16P	
0226-07XX	02~16P	
0226-08XX	02~16P	
Accessories		
0225K1	P16	
0225K3	P16	

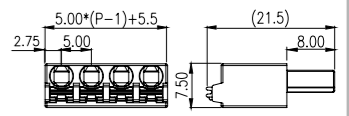
0226-06XX



0226-07XX



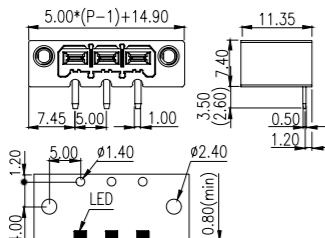
0226-08XX



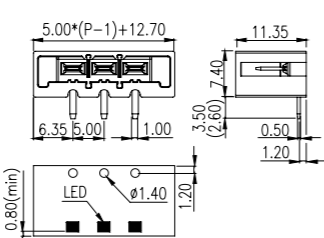
5.00mm

Technical Data	UL	IEC
Rated voltage	300V	630V
Rated current	10A	17.5A
Rated impulse voltage		4KV
Torque (N-m)		
Number of Positions		
0226-13XX	02~16P	
0226-13XXL	02~16P	
0226-14XX	02~16P	
0226-14XXL	02~16P	
0226-23XX	02~16P	
0226-23XXL	02~16P	
0226-24XX	02~16P	
0226-24XXL	02~16P	
0226-33XX	02~16P	
0226-33XXL	02~16P	
0226-34XX	02~16P	
0226-34XXL	02~16P	
Accessories		
0227K2L	P16	

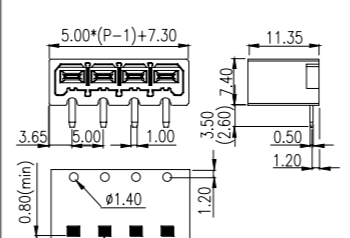
0226-13XX (0226-13XXL)



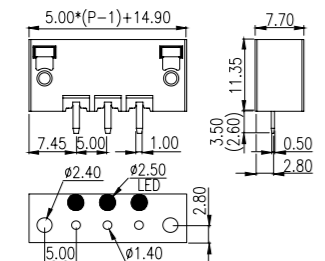
0226-23XX (0226-23XXL)



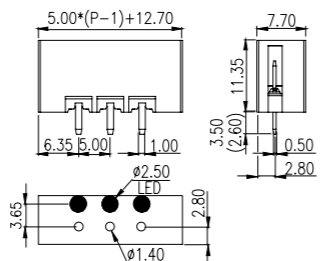
0226-33XX (0226-33XXL)



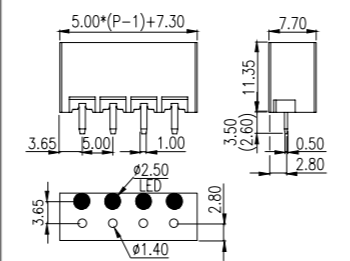
0226-14XX (0226-14XXL)



0226-24XX (0226-24XXL)



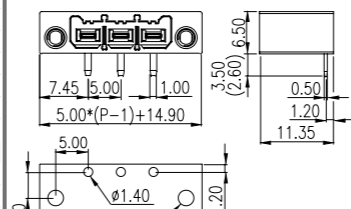
0226-34XX (0226-34XXL)



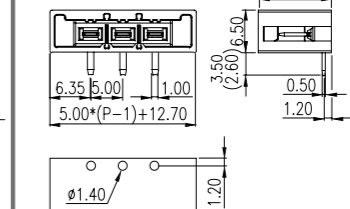
5.00mm

Technical Data	UL	IEC
Rated voltage	300V	630V
Rated current	10A	17.5A
Rated impulse voltage		4KV
Number of Positions		
0226-16XX	02~16P	
0226-16XXL	02~16P	
0226-17XX	02~16P	
0226-17XXL	02~16P	
0226-26XX	02~16P	
0226-26XXL	02~16P	
0226-27XX	02~16P	
0226-27XXL	02~16P	
0226-36XX	02~16P	
0226-36XXL	02~16P	
0226-37XX	02~16P	
0226-37XXL	02~16P	
Accessories		
0225K2L	P16	
0225K4L	P16	

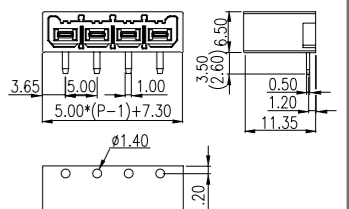
0226-16XX (0226-16XXL)



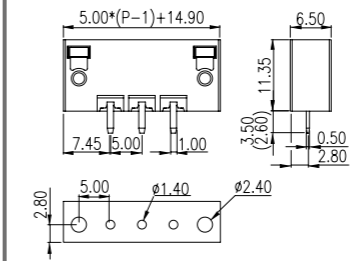
0226-26XX (0226-26XXL)



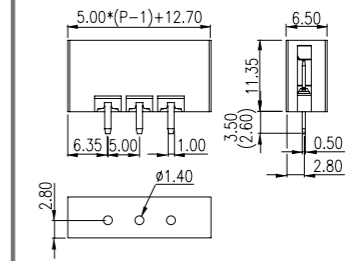
0226-36XX (0226-36XXL)



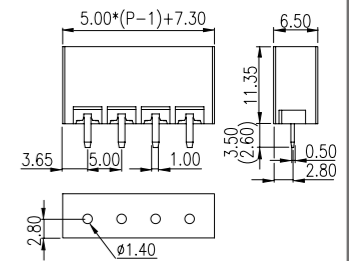
0226-17XX (0226-17XXL)







0226-27XX (0226-27XXL)





0226-37XX (0226-37XXL)




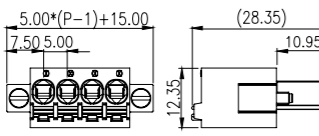
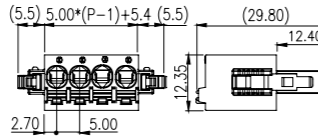
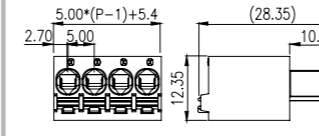
5.00mm			0227-01XX	0227-02XX	0227-03XX
Technical Data	UL	IEC			
Rated voltage	300V	630V			
Rated current	15A	18A			
Solid (AWG/mm ²)	26~12	0.2~2.5			
Flexible (AWG/mm ²)	26~12	0.2~2.5			
Rated impulse voltage	4KV				
Wire strip length	12~13mm				
Number of Positions					
0227-01XX	02~24P				
0227-02XX	02~16P				
0227-03XX	02~24P				
0227-04XX	02~24P				
Accessories					
0227K1	P19				

with light pipe 


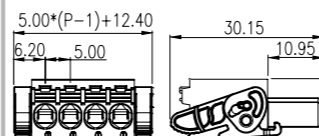
with light pipe 




with light pipe 


with light pipe 







0227-04XX

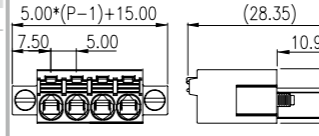
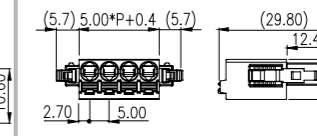
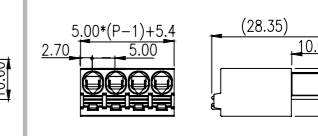



5.00mm			0227-06XX	0227-07XX	0227-08XX
Technical Data	UL	IEC			
Rated voltage	300V	630V			
Rated current	15A	18A			
Solid (AWG/mm ²)	26~12	0.2~2.5			
Flexible (AWG/mm ²)	26~12	0.2~2.5			
Rated impulse voltage	4KV				
Wire strip length	12~13mm				
Number of Positions					
0227-06XX	02~24P				
0227-07XX	02~16P				
0227-08XX	02~24P				
0227-09XX	02~24P				
Accessories					
0227K1	P19				


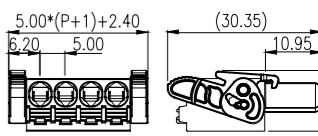
with support pins 




with support pins 


with support pins 







0227-09XX

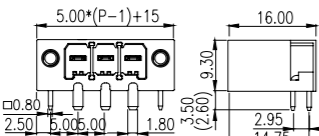
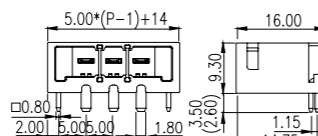
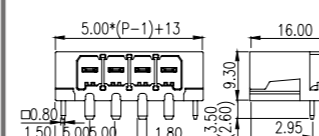






5.00mm			0227-13XX (0227-13XXL)	0227-23XX (0227-23XXL)	0227-33XX (0227-33XXL)
Technical Data	UL	IEC			
Rated voltage	300V	630V			
Rated current	15A	18A			
Rated impulse voltage	4KV				
Number of Positions					
0227-13XX	02~16P				
0227-13XXL	02~16P				
0227-14XX	02~24P				
0227-14XXL	02~24P				
0227-23XX	02~16P				
0227-23XXL	02~16P				
0227-24XX	02~16P				
0227-24XXL	02~16P				
0227-33XX	02~16P				
0227-33XXL	02~16P				
0227-34XX	02~24P				
0227-34XXL	02~24P				
Accessories					
0227K2L	P20				


with support pins 


with support pins 


with support pins 

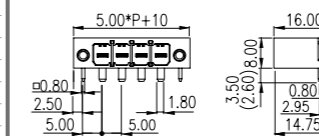
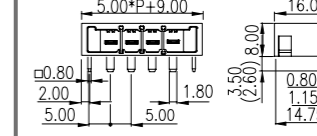
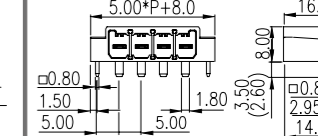











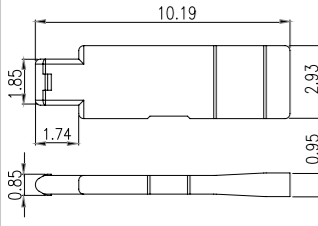
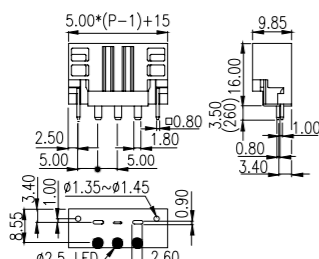
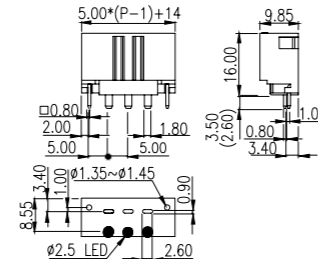
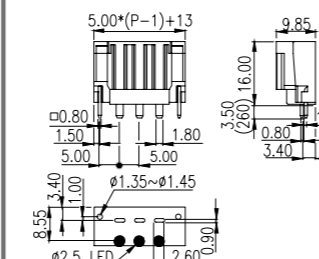
5.00mm			0227-16XX (0227-16XXL)	0227-26XX (0227-26XXL)	0227-36XX (0227-36XXL)
Technical Data	UL	IEC			
Rated voltage	300V	630V			
Rated current	15A	18A			
Rated impulse voltage	4KV				
Number of Positions					
0227-16XX	02~24P				
0227-16XXL	02~24P				
0227-17XX	02~24P				
0227-17XXL	02~24P				
0227-26XX	02~16P				
0227-26XXL	02~16P				
0227-27XX	02~16P				
0227-27XXL	02~16P				
0227-36XX	02~24P				
0227-36XXL	02~24P				
0227-37XX	02~24P				
0227-37XXL	02~24P				
Accessories					
0227K2L	P20				








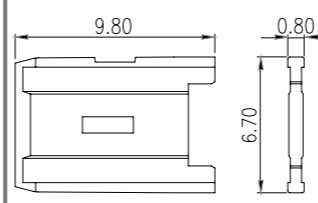
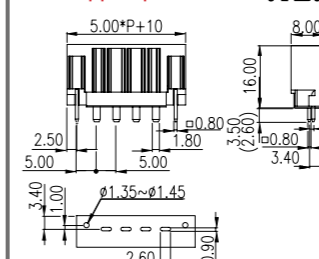
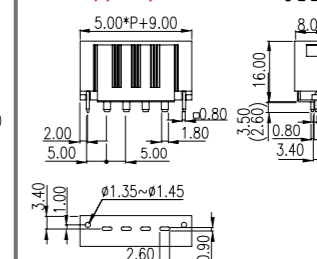
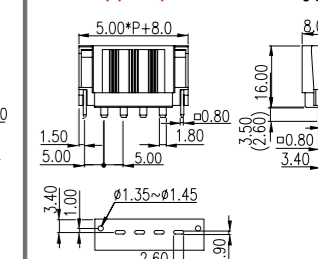
with support pins 

with support pins 

with support pins 

0227K1	0227-14XX (0227-14XXL)	0227-24XX (0227-24XXL)	0227-34XX (0227-34XXL)
			
	with support pins 	with support pins 	with support pins 
			

0227K2L	0227-17XX (0227-17XXL)	0227-27XX (0227-27XXL)	0227-37XX (0227-37XXL)
			
	with support pins 	with support pins 	with support pins 
			

Highlights

P-LUP family



0256 Series

Connection method: Push-in connection

Pitch: 3.50mm / 3.81mm

UL Rated: 300V/8A

IEC Rated: 320V/10A

- P-LUP features a new lever up wiring structure for easier operation

- The 0256 series PCB connector optimizes the operability of the lever up handle and maintains a high-reliability push-in connection

- For users who originally used 3.5mm or 3.81mm plugs, no need to modify the PCB, just use the same sockets to mate with P-LUP plugs, which makes wiring task faster and easier than ever

3.50mm			0256-11XX			0256-12XX			3.81mm			0256-61XX			0256-62XX																																																																				
<table border="1"> <tr><th>Technical Data</th><th>UL</th><th>IEC</th></tr> <tr><td>Rated voltage</td><td>300V</td><td>320V</td></tr> <tr><td>Rated current</td><td>8A</td><td>10A</td></tr> <tr><td>Solid (AWG/mm²)</td><td>28~16</td><td>0.14~1.5</td></tr> <tr><td>Flexible (AWG/mm²)</td><td>28~16</td><td>0.14~1.5</td></tr> <tr><td>Rated impulse voltage</td><td></td><td>2.5KV</td></tr> <tr><td>Wire strip length</td><td colspan="2">9~10mm</td></tr> <tr><th colspan="3">Number of Positions</th></tr> <tr><td>0256-11XX</td><td colspan="2">02~24P</td></tr> <tr><td>0256-12XX</td><td colspan="2">02~24P</td></tr> <tr><td>0256-14XX</td><td colspan="2">02~24P</td></tr> </table>			Technical Data	UL	IEC	Rated voltage	300V	320V	Rated current	8A	10A	Solid (AWG/mm ²)	28~16	0.14~1.5	Flexible (AWG/mm ²)	28~16	0.14~1.5	Rated impulse voltage		2.5KV	Wire strip length	9~10mm		Number of Positions			0256-11XX	02~24P		0256-12XX	02~24P		0256-14XX	02~24P								<table border="1"> <tr><th>Technical Data</th><th>UL</th><th>IEC</th></tr> <tr><td>Rated voltage</td><td>300V</td><td>320V</td></tr> <tr><td>Rated current</td><td>8A</td><td>10A</td></tr> <tr><td>Solid (AWG/mm²)</td><td>28~16</td><td>0.14~1.5</td></tr> <tr><td>Flexible (AWG/mm²)</td><td>28~16</td><td>0.14~1.5</td></tr> <tr><td>Rated impulse voltage</td><td></td><td>2.5KV</td></tr> <tr><td>Wire strip length</td><td colspan="2">9~10mm</td></tr> <tr><th colspan="3">Number of Positions</th></tr> <tr><td>0256-61XX</td><td colspan="2">02~24P</td></tr> <tr><td>0256-62XX</td><td colspan="2">02~24P</td></tr> <tr><td>0256-64XX</td><td colspan="2">02~24P</td></tr> </table>			Technical Data	UL	IEC	Rated voltage	300V	320V	Rated current	8A	10A	Solid (AWG/mm ²)	28~16	0.14~1.5	Flexible (AWG/mm ²)	28~16	0.14~1.5	Rated impulse voltage		2.5KV	Wire strip length	9~10mm		Number of Positions			0256-61XX	02~24P		0256-62XX	02~24P		0256-64XX	02~24P							
Technical Data	UL	IEC																																																																																	
Rated voltage	300V	320V																																																																																	
Rated current	8A	10A																																																																																	
Solid (AWG/mm ²)	28~16	0.14~1.5																																																																																	
Flexible (AWG/mm ²)	28~16	0.14~1.5																																																																																	
Rated impulse voltage		2.5KV																																																																																	
Wire strip length	9~10mm																																																																																		
Number of Positions																																																																																			
0256-11XX	02~24P																																																																																		
0256-12XX	02~24P																																																																																		
0256-14XX	02~24P																																																																																		
Technical Data	UL	IEC																																																																																	
Rated voltage	300V	320V																																																																																	
Rated current	8A	10A																																																																																	
Solid (AWG/mm ²)	28~16	0.14~1.5																																																																																	
Flexible (AWG/mm ²)	28~16	0.14~1.5																																																																																	
Rated impulse voltage		2.5KV																																																																																	
Wire strip length	9~10mm																																																																																		
Number of Positions																																																																																			
0256-61XX	02~24P																																																																																		
0256-62XX	02~24P																																																																																		
0256-64XX	02~24P																																																																																		
						0256-14XX						0256-64XX																																																																							
3.50mm			ECH350V-XXP			ECH350VM-XXPL			3.81mm			ECH381V-XXP			ECH381VM-XXPL																																																																				
<table border="1"> <tr><th>Technical Data</th><th>UL</th><th>IEC</th></tr> <tr><td>Rated voltage</td><td>300V</td><td>320V</td></tr> <tr><td>Rated current</td><td>8A</td><td>14A</td></tr> <tr><td>Rated impulse voltage</td><td></td><td>2.5KV</td></tr> <tr><th colspan="3">Number of Positions</th></tr> <tr><td>ECH350V-XXP</td><td colspan="2">02~24P</td></tr> <tr><td>ECH350R-XXP</td><td colspan="2">02~24P</td></tr> <tr><td>ECH350VM-XXPL</td><td colspan="2">02~24P</td></tr> <tr><td>ECH350RM-XXPL</td><td colspan="2">02~24P</td></tr> </table>			Technical Data	UL	IEC	Rated voltage	300V	320V	Rated current	8A	14A	Rated impulse voltage		2.5KV	Number of Positions			ECH350V-XXP	02~24P		ECH350R-XXP	02~24P		ECH350VM-XXPL	02~24P		ECH350RM-XXPL	02~24P								<table border="1"> <tr><th>Technical Data</th><th>UL</th><th>IEC</th></tr> <tr><td>Rated voltage</td><td>300V</td><td>320V</td></tr> <tr><td>Rated current</td><td>8A</td><td>14A</td></tr> <tr><td>Rated impulse voltage</td><td></td><td>2.5KV</td></tr> <tr><th colspan="3">Number of Positions</th></tr> <tr><td>ECH381V-XXP</td><td colspan="2">02~24P</td></tr> <tr><td>ECH381R-XXP</td><td colspan="2">02~24P</td></tr> <tr><td>ECH381VM-XXPL</td><td colspan="2">02~24P</td></tr> <tr><td>ECH381RM-XXPL</td><td colspan="2">02~24P</td></tr> </table>			Technical Data	UL	IEC	Rated voltage	300V	320V	Rated current	8A	14A	Rated impulse voltage		2.5KV	Number of Positions			ECH381V-XXP	02~24P		ECH381R-XXP	02~24P		ECH381VM-XXPL	02~24P		ECH381RM-XXPL	02~24P																			
Technical Data	UL	IEC																																																																																	
Rated voltage	300V	320V																																																																																	
Rated current	8A	14A																																																																																	
Rated impulse voltage		2.5KV																																																																																	
Number of Positions																																																																																			
ECH350V-XXP	02~24P																																																																																		
ECH350R-XXP	02~24P																																																																																		
ECH350VM-XXPL	02~24P																																																																																		
ECH350RM-XXPL	02~24P																																																																																		
Technical Data	UL	IEC																																																																																	
Rated voltage	300V	320V																																																																																	
Rated current	8A	14A																																																																																	
Rated impulse voltage		2.5KV																																																																																	
Number of Positions																																																																																			
ECH381V-XXP	02~24P																																																																																		
ECH381R-XXP	02~24P																																																																																		
ECH381VM-XXPL	02~24P																																																																																		
ECH381RM-XXPL	02~24P																																																																																		
			ECH350R-XXP			ECH350RM-XXPL						ECH381R-XXP			ECH381RM-XXPL																																																																				

Highlights

P-LUP family



0257 Series

Connection method: Push-in connection

Pitch: 5.00 mm / 5.08 mm

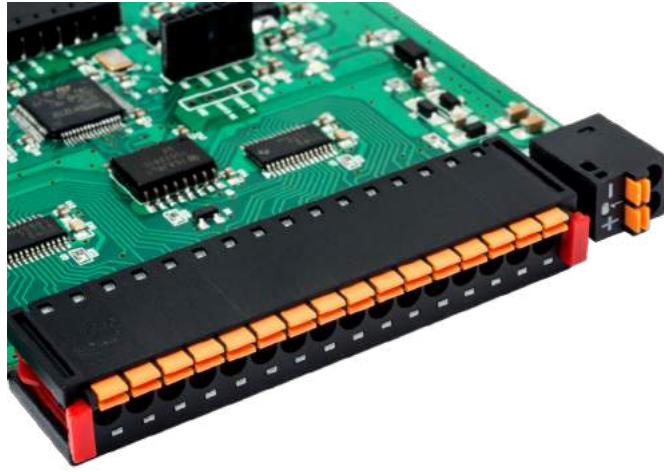
UL Rated: 300V / 15A

IEC Rated: 630V / 16A

- P-LUP features a new lever up wiring structure for easier operation
- The 0257 series PCB connector optimizes the operability of the lever up handle and maintains a high-reliability push-in connection
- For users who originally used 5.00 mm or 5.08 mm plugs, no need to modify the PCB, just use the same sockets to mate with LUP plugs, which makes wiring task faster and easier than ever

5.00mm			0257-11XX			0257-12XX			5.08mm			0257-61XX			0257-62XX																																																																																						
<table border="1"> <tr><th>Technical Data</th><th>UL</th><th>IEC</th></tr> <tr><td>Rated voltage</td><td>300V</td><td>630V</td></tr> <tr><td>Rated current</td><td>15A</td><td>16A</td></tr> <tr><td>Solid (AWG/mm²)</td><td>26~12</td><td>0.2~2.5</td></tr> <tr><td>Flexible (AWG/mm²)</td><td>26~12</td><td>0.2~2.5</td></tr> <tr><td>Rated impulse voltage</td><td></td><td>4KV</td></tr> <tr><td>Wire strip length</td><td colspan="2">10~12mm</td></tr> <tr><th colspan="3">Number of Positions</th></tr> <tr><td>0257-11XX</td><td colspan="2">02~24P</td></tr> <tr><td>0257-12XX</td><td colspan="2">02~24P</td></tr> <tr><td>0257-14XX</td><td colspan="2">02~24P</td></tr> <tr><th colspan="3">Accessories</th></tr> <tr><td>ESDK1</td><td colspan="2">P68</td></tr> <tr><td>ESDK2</td><td colspan="2">P68</td></tr> </table>			Technical Data	UL	IEC	Rated voltage	300V	630V	Rated current	15A	16A	Solid (AWG/mm ²)	26~12	0.2~2.5	Flexible (AWG/mm ²)	26~12	0.2~2.5	Rated impulse voltage		4KV	Wire strip length	10~12mm		Number of Positions			0257-11XX	02~24P		0257-12XX	02~24P		0257-14XX	02~24P		Accessories			ESDK1	P68		ESDK2	P68								<table border="1"> <tr><th>Technical Data</th><th>UL</th><th>IEC</th></tr> <tr><td>Rated voltage</td><td>300V</td><td>630V</td></tr> <tr><td>Rated current</td><td>15A</td><td>16A</td></tr> <tr><td>Solid (AWG/mm²)</td><td>26~12</td><td>0.2~2.5</td></tr> <tr><td>Flexible (AWG/mm²)</td><td>26~12</td><td>0.2~2.5</td></tr> <tr><td>Rated impulse voltage</td><td></td><td>4KV</td></tr> <tr><td>Wire strip length</td><td colspan="2">10~12mm</td></tr> <tr><th colspan="3">Number of Positions</th></tr> <tr><td>0257-61XX</td><td colspan="2">02~24P</td></tr> <tr><td>0257-62XX</td><td colspan="2">02~24P</td></tr> <tr><td>0257-64XX</td><td colspan="2">02~24P</td></tr> <tr><th colspan="3">Accessories</th></tr> <tr><td>ESDK1</td><td colspan="2">P68</td></tr> <tr><td>ESDK2</td><td colspan="2">P68</td></tr> </table>			Technical Data	UL	IEC	Rated voltage	300V	630V	Rated current	15A	16A	Solid (AWG/mm ²)	26~12	0.2~2.5	Flexible (AWG/mm ²)	26~12	0.2~2.5	Rated impulse voltage		4KV	Wire strip length	10~12mm		Number of Positions			0257-61XX	02~24P		0257-62XX	02~24P		0257-64XX	02~24P		Accessories			ESDK1	P68		ESDK2	P68							
Technical Data	UL	IEC																																																																																																			
Rated voltage	300V	630V																																																																																																			
Rated current	15A	16A																																																																																																			
Solid (AWG/mm ²)	26~12	0.2~2.5																																																																																																			
Flexible (AWG/mm ²)	26~12	0.2~2.5																																																																																																			
Rated impulse voltage		4KV																																																																																																			
Wire strip length	10~12mm																																																																																																				
Number of Positions																																																																																																					
0257-11XX	02~24P																																																																																																				
0257-12XX	02~24P																																																																																																				
0257-14XX	02~24P																																																																																																				
Accessories																																																																																																					
ESDK1	P68																																																																																																				
ESDK2	P68																																																																																																				
Technical Data	UL	IEC																																																																																																			
Rated voltage	300V	630V																																																																																																			
Rated current	15A	16A																																																																																																			
Solid (AWG/mm ²)	26~12	0.2~2.5																																																																																																			
Flexible (AWG/mm ²)	26~12	0.2~2.5																																																																																																			
Rated impulse voltage		4KV																																																																																																			
Wire strip length	10~12mm																																																																																																				
Number of Positions																																																																																																					
0257-61XX	02~24P																																																																																																				
0257-62XX	02~24P																																																																																																				
0257-64XX	02~24P																																																																																																				
Accessories																																																																																																					
ESDK1	P68																																																																																																				
ESDK2	P68																																																																																																				
						<h3>0257-14XX</h3>						<h3>0257-64XX</h3>																																																																																									
5.00mm			5EHDVC-XXP			5EHDVM-XXPL			5.08mm			2EHDVC-XXP			2EHDVM-XXPL																																																																																						
<table border="1"> <tr><th>Technical Data</th><th>UL</th><th>IEC</th></tr> <tr><td>Rated voltage</td><td>300V</td><td>600V</td></tr> <tr><td>Rated current</td><td>15A</td><td>18A</td></tr> <tr><td>Rated impulse voltage</td><td></td><td>4KV</td></tr> <tr><th colspan="3">Number of Positions</th></tr> <tr><td>5EHDVC-XXP</td><td colspan="2">02~24P</td></tr> <tr><td>5EHDRC-XXP</td><td colspan="2">02~24P</td></tr> <tr><td>5EHDVM-XXPL</td><td colspan="2">02~24P</td></tr> <tr><td>5EHDRC-XXPL</td><td colspan="2">02~24P</td></tr> </table>			Technical Data	UL	IEC	Rated voltage	300V	600V	Rated current	15A	18A	Rated impulse voltage		4KV	Number of Positions			5EHDVC-XXP	02~24P		5EHDRC-XXP	02~24P		5EHDVM-XXPL	02~24P		5EHDRC-XXPL	02~24P								<table border="1"> <tr><th>Technical Data</th><th>UL</th><th>IEC</th></tr> <tr><td>Rated voltage</td><td>300V</td><td>600V</td></tr> <tr><td>Rated current</td><td>15A</td><td>18A</td></tr> <tr><td>Rated impulse voltage</td><td></td><td>4KV</td></tr> <tr><th colspan="3">Number of Positions</th></tr> <tr><td>2EHDVC-XXP</td><td colspan="2">02~24P</td></tr> <tr><td>2EHDRC-XXP</td><td colspan="2">02~24P</td></tr> <tr><td>2EHDVM-XXPL</td><td colspan="2">02~24P</td></tr> <tr><td>2EHDRC-XXPL</td><td colspan="2">02~24P</td></tr> </table>			Technical Data	UL	IEC	Rated voltage	300V	600V	Rated current	15A	18A	Rated impulse voltage		4KV	Number of Positions			2EHDVC-XXP	02~24P		2EHDRC-XXP	02~24P		2EHDVM-XXPL	02~24P		2EHDRC-XXPL	02~24P																																					
Technical Data	UL	IEC																																																																																																			
Rated voltage	300V	600V																																																																																																			
Rated current	15A	18A																																																																																																			
Rated impulse voltage		4KV																																																																																																			
Number of Positions																																																																																																					
5EHDVC-XXP	02~24P																																																																																																				
5EHDRC-XXP	02~24P																																																																																																				
5EHDVM-XXPL	02~24P																																																																																																				
5EHDRC-XXPL	02~24P																																																																																																				
Technical Data	UL	IEC																																																																																																			
Rated voltage	300V	600V																																																																																																			
Rated current	15A	18A																																																																																																			
Rated impulse voltage		4KV																																																																																																			
Number of Positions																																																																																																					
2EHDVC-XXP	02~24P																																																																																																				
2EHDRC-XXP	02~24P																																																																																																				
2EHDVM-XXPL	02~24P																																																																																																				
2EHDRC-XXPL	02~24P																																																																																																				
			<h3>5EHDRC-XXP</h3>			<h3>5EHDRC-XXPL</h3>						<h3>2EHDRC-XXP</h3>			<h3>2EHDRC-XXPL</h3>																																																																																						

Card Edge Connectors Connection to PCB



Connection method: push-in or screw connection

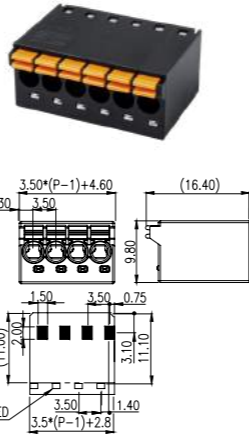
Pitch: 3.5mm / 5.0mm
(7.0mm & 10.0mm available on request)

UL Rated: 150V/12A ~300V/6A
IEC Rated: 320V/5A ~400V/12A

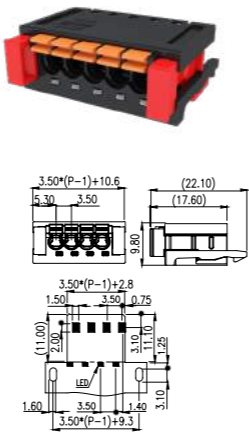
- Card-edge connection on a 1.0 or 1.6mm thick PCB
- Push-in connection for quick and easy wiring
- Special indication design on each pole allows integration
- Special indication design on each pole allows integration LED on the PCB for clear signal identification
- CPC350 and 5ESDG are screw connection on a 1.6mm thick PCB

3.50mm		
Technical Data	UL	IEC
Rated voltage	150V	320V
Rated current	6A	7A
Solid (AWG/mm ²)	24~16	0.2~1.5
Flexible (AWG/mm ²)	24~16	0.2~1.5
Rated impulse voltage		2.5KV
Wire strip length	8~9mm	
Number of Positions		
0184-11XX	02~24P	
0184-13XX	02~24P	
0184-15XX	02~24P	
0184-16XX	02~24P	
PCB thickness		
0184-11XX	1.0 mm	
0184-15XX	1.0 mm	
0184-13XX	1.6 mm	
0184-16XX	1.6 mm	

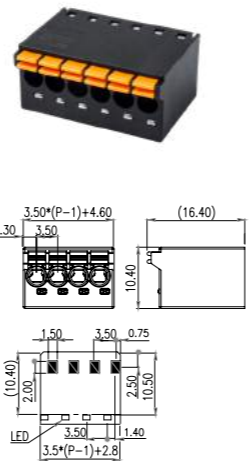
0184-11XX



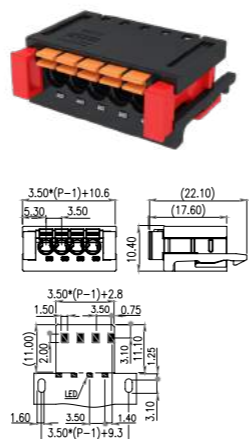
0184-15XX



0184-13XX

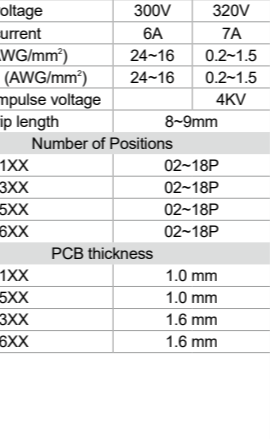


0184-16XX



5.00mm		
Technical Data	UL	IEC
Rated voltage	300V	320V
Rated current	6A	7A
Solid (AWG/mm ²)	24~16	0.2~1.5
Flexible (AWG/mm ²)	24~16	0.2~1.5
Rated impulse voltage		4KV
Wire strip length	8~9mm	
Number of Positions		
0184-31XX	02~18P	
0184-33XX	02~18P	
0184-35XX	02~18P	
0184-36XX	02~18P	
PCB thickness		
0184-31XX	1.0 mm	
0184-35XX	1.0 mm	
0184-33XX	1.6 mm	
0184-36XX	1.6 mm	

0184-31XX



0184-35XX



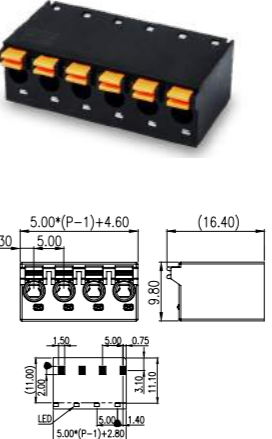
0184-33XX



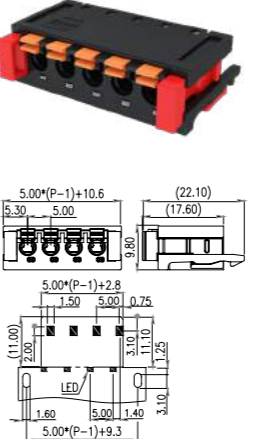
0184-36XX



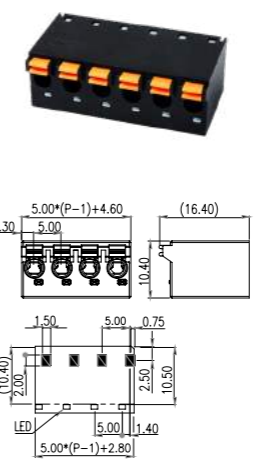
0184-31XX



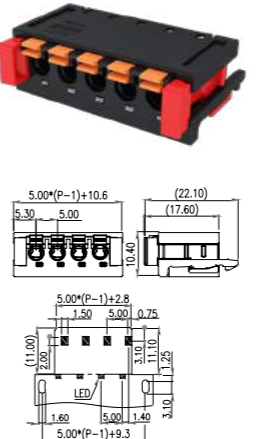
0184-35XX



0184-33XX

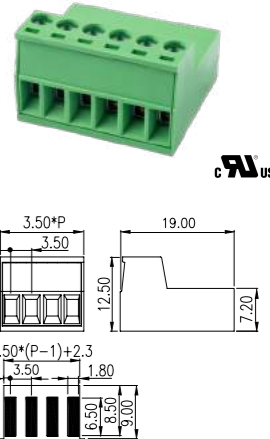


0184-36XX



3.50mm		
Technical Data	UL	IEC
Rated voltage	150V	320V
Rated current	12A	14A
Solid (AWG/mm ²)	28~14	0.2~1.5
Flexible (AWG/mm ²)	28~14	0.2~1.5
Rated impulse voltage		2.5KV
Torque (N-m)	0.2~0.25	
Screw	M2	
Wire strip length	5~6mm	
Number of Positions		
CPC350-XXP	02~24P	
PCB thickness		
CPC350-XXP	1.6 mm	

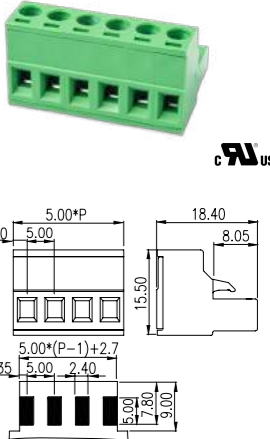
CPC350-XXP



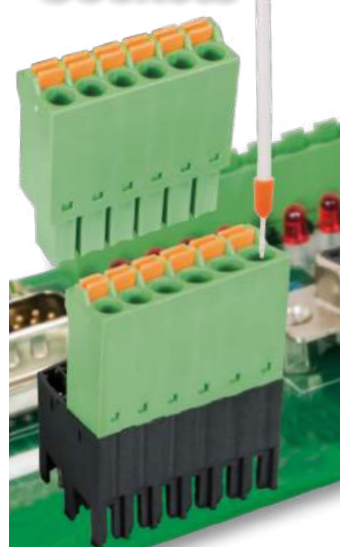
0184-35XX

5.00mm		
Technical Data	UL	IEC
Rated voltage	300V	320V
Rated current	16A	14A
Solid (AWG/mm ²)	28~12	0.2~2.5
Flexible (AWG/mm ²)	28~12	0.2~2.5
Rated impulse voltage		2.5KV
Torque (N-m)	0.5	
Screw	M2.5	
Wire strip length	7~8mm	
Number of Positions		
5ESDG-XXP	02~14P	
PCB thickness		
5ESDG-XXP	1.6 mm	

5ESDG-XXP



PID Plugs & Sockets



Connection method:
Push-in connection

Pitch:
3.50mm / 3.81mm /
5.00mm / 5.08mm

UL Rated:
300V / 8A ~300V / 10A
IEC Rated:
320V / 8A ~ 600V / 18A

- Push-in connection single level plug, single, double and triple row socket
- Space saving flat design plug, only 7.7mm in height
- With testing hole suitable for 1mm Ø test probe
- The pin length for wave soldering socket is 3.50mm
- Through-hole reflow (THR) version socket is available, standard pin length 2.6mm (The last suffix "L" represents THR version.)

3.50mm		0221-20XX		0221-21XX		0221-24XX		0221-28XX		0221-29XX																																																																																	
<table border="1"> <tr><th>Technical Data</th><th>UL</th><th>IEC</th></tr> <tr><td>Rated voltage</td><td>300V</td><td>320V</td></tr> <tr><td>Rated current</td><td>8A</td><td>8A</td></tr> <tr><td>Solid (AWG/mm²)</td><td>24~16</td><td>0.2~1.5</td></tr> <tr><td>Flexible (AWG/mm²)</td><td>24~16</td><td>0.2~1.5</td></tr> <tr><td>Rated impulse voltage</td><td></td><td>2.5KV</td></tr> <tr><td>Wire strip length</td><td colspan="2">8~10mm</td></tr> <tr><th colspan="3">Number of Positions</th></tr> <tr><td>0221-20XX</td><td colspan="2">02~20P</td></tr> <tr><td>0221-21XX</td><td colspan="2">02~18P</td></tr> <tr><td>0221-24XX</td><td colspan="2">02~20P</td></tr> <tr><td>0221-28XX</td><td colspan="2">02~20P</td></tr> <tr><td>0221-29XX</td><td colspan="2">02~20P</td></tr> </table>		Technical Data	UL	IEC	Rated voltage	300V	320V	Rated current	8A	8A	Solid (AWG/mm ²)	24~16	0.2~1.5	Flexible (AWG/mm ²)	24~16	0.2~1.5	Rated impulse voltage		2.5KV	Wire strip length	8~10mm		Number of Positions			0221-20XX	02~20P		0221-21XX	02~18P		0221-24XX	02~20P		0221-28XX	02~20P		0221-29XX	02~20P																																																				
Technical Data	UL	IEC																																																																																									
Rated voltage	300V	320V																																																																																									
Rated current	8A	8A																																																																																									
Solid (AWG/mm ²)	24~16	0.2~1.5																																																																																									
Flexible (AWG/mm ²)	24~16	0.2~1.5																																																																																									
Rated impulse voltage		2.5KV																																																																																									
Wire strip length	8~10mm																																																																																										
Number of Positions																																																																																											
0221-20XX	02~20P																																																																																										
0221-21XX	02~18P																																																																																										
0221-24XX	02~20P																																																																																										
0221-28XX	02~20P																																																																																										
0221-29XX	02~20P																																																																																										
3.50mm		0221-64XX (0221-64XXL)		0221-23XXL		ECH350RJ-XXPL		0221-26XXL		0221-35XXL		ECH350VM-XXPL																																																																															
<table border="1"> <tr><th>Technical Data</th><th>UL</th><th>IEC</th></tr> <tr><td>Rated voltage</td><td>300V</td><td>320V</td></tr> <tr><td>Rated current</td><td>8A</td><td>8A</td></tr> <tr><td>Rated impulse voltage</td><td></td><td>2.5KV</td></tr> <tr><th colspan="3">Number of Positions</th></tr> <tr><td>0221-22XX-BK</td><td colspan="2">04~48P</td></tr> <tr><td>0221-22XXL</td><td colspan="2">04~48P</td></tr> <tr><td>0221-23XXL</td><td colspan="2">04~48P</td></tr> <tr><td>0221-25XX-BK</td><td colspan="2">06~72P</td></tr> <tr><td>0221-25XXL</td><td colspan="2">06~72P</td></tr> <tr><td>0221-26XXL</td><td colspan="2">04~48P</td></tr> <tr><td>0221-27XX-BK</td><td colspan="2">06~72P</td></tr> <tr><td>0221-27XXL</td><td colspan="2">06~72P</td></tr> <tr><td>0221-35XXL</td><td colspan="2">04~48P</td></tr> <tr><td>0221-36XXL</td><td colspan="2">04~48P</td></tr> <tr><td>0221-41XX-BK</td><td colspan="2">06~72P</td></tr> <tr><td>0221-41XXL</td><td colspan="2">06~72P</td></tr> <tr><td>0221-64XX</td><td colspan="2">04~48P</td></tr> <tr><td>0221-64XXL</td><td colspan="2">04~48P</td></tr> <tr><td>ECH350RJ-XXPL</td><td colspan="2">02~24P</td></tr> <tr><td>ECH350VJ-XXPL</td><td colspan="2">02~24P</td></tr> <tr><td>ECH350VM-XXPL</td><td colspan="2">02~24P</td></tr> <tr><td>ECH350RM-XXPL</td><td colspan="2">02~24P</td></tr> <tr><th colspan="3">Accessories</th></tr> <tr><td>ECHK1</td><td colspan="2">P68</td></tr> <tr><td>ECHK1L</td><td colspan="2">P68</td></tr> </table>		Technical Data	UL	IEC	Rated voltage	300V	320V	Rated current	8A	8A	Rated impulse voltage		2.5KV	Number of Positions			0221-22XX-BK	04~48P		0221-22XXL	04~48P		0221-23XXL	04~48P		0221-25XX-BK	06~72P		0221-25XXL	06~72P		0221-26XXL	04~48P		0221-27XX-BK	06~72P		0221-27XXL	06~72P		0221-35XXL	04~48P		0221-36XXL	04~48P		0221-41XX-BK	06~72P		0221-41XXL	06~72P		0221-64XX	04~48P		0221-64XXL	04~48P		ECH350RJ-XXPL	02~24P		ECH350VJ-XXPL	02~24P		ECH350VM-XXPL	02~24P		ECH350RM-XXPL	02~24P		Accessories			ECHK1	P68		ECHK1L	P68													
Technical Data	UL	IEC																																																																																									
Rated voltage	300V	320V																																																																																									
Rated current	8A	8A																																																																																									
Rated impulse voltage		2.5KV																																																																																									
Number of Positions																																																																																											
0221-22XX-BK	04~48P																																																																																										
0221-22XXL	04~48P																																																																																										
0221-23XXL	04~48P																																																																																										
0221-25XX-BK	06~72P																																																																																										
0221-25XXL	06~72P																																																																																										
0221-26XXL	04~48P																																																																																										
0221-27XX-BK	06~72P																																																																																										
0221-27XXL	06~72P																																																																																										
0221-35XXL	04~48P																																																																																										
0221-36XXL	04~48P																																																																																										
0221-41XX-BK	06~72P																																																																																										
0221-41XXL	06~72P																																																																																										
0221-64XX	04~48P																																																																																										
0221-64XXL	04~48P																																																																																										
ECH350RJ-XXPL	02~24P																																																																																										
ECH350VJ-XXPL	02~24P																																																																																										
ECH350VM-XXPL	02~24P																																																																																										
ECH350RM-XXPL	02~24P																																																																																										
Accessories																																																																																											
ECHK1	P68																																																																																										
ECHK1L	P68																																																																																										
		0221-22XX-BK (0221-22XXL)		0221-41XX-BK (0221-41XXL)		ECH350VJ-XXPL		0221-27XX-BK (0221-27XXL)		0221-36XXL		ECH350RM-XXPL																																																																															
		0221-25XX-BK (0221-25XXL)		Socket		Socket		Socket		Socket		Socket																																																																															
				<table border="1"> <tr><td>ECH350H-XXP</td><td>P70</td></tr> <tr><td>ECH350R-XXP</td><td>P69</td></tr> <tr><td>ECH350R-XXPL</td><td>P69</td></tr> <tr><td>ECH350V-XXP</td><td>P69</td></tr> <tr><td>ECH350V-XXPL</td><td>P69</td></tr> <tr><td>ECH350RR-XXP</td><td>P69</td></tr> <tr><td>ECH350RR-XXPL</td><td>P69</td></tr> </table> <p>Please refer to the related page number for the compatible headers.</p>		ECH350H-XXP	P70	ECH350R-XXP	P69	ECH350R-XXPL	P69	ECH350V-XXP	P69	ECH350V-XXPL	P69	ECH350RR-XXP	P69	ECH350RR-XXPL	P69	<table border="1"> <tr><td>ECH350VT-XXP</td><td>P70</td></tr> </table> <p>Please refer to the related page number for the compatible headers.</p>		ECH350VT-XXP	P70	<table border="1"> <tr><td>ECH350RM-XXP</td><td>P69</td></tr> <tr><td>ECH350RM-XXPL</td><td>P69</td></tr> <tr><td>ECH350VM-XXP</td><td>P69</td></tr> <tr><td>ECH350VM-XXPL</td><td>P69</td></tr> <tr><td>ECH350RRM-XXP</td><td>P69</td></tr> <tr><td>ECH350RRM-XXPL</td><td>P69</td></tr> </table> <p>Please refer to the related page number for the compatible headers.</p>		ECH350RM-XXP	P69	ECH350RM-XXPL	P69	ECH350VM-XXP	P69	ECH350VM-XXPL	P69	ECH350RRM-XXP	P69	ECH350RRM-XXPL	P69	<table border="1"> <tr><td>ECH350H-XXP</td><td>P70</td></tr> <tr><td>ECH350R-XXP</td><td>P69</td></tr> <tr><td>ECH350R-XXPL</td><td>P69</td></tr> <tr><td>ECH350V-XXP</td><td>P69</td></tr> <tr><td>ECH350V-XXPL</td><td>P69</td></tr> <tr><td>ECH350RR-XXP</td><td>P69</td></tr> <tr><td>ECH350RR-XXPL</td><td>P69</td></tr> </table> <p>Please refer to the related page number for the compatible headers.</p>		ECH350H-XXP	P70	ECH350R-XXP	P69	ECH350R-XXPL	P69	ECH350V-XXP	P69	ECH350V-XXPL	P69	ECH350RR-XXP	P69	ECH350RR-XXPL	P69	<table border="1"> <tr><td>ECH350VT-XXP</td><td>P70</td></tr> </table> <p>Please refer to the related page number for the compatible headers.</p>		ECH350VT-XXP	P70	<table border="1"> <tr><td>ECH350RM-XXP</td><td>P69</td></tr> <tr><td>ECH350RM-XXPL</td><td>P69</td></tr> <tr><td>ECH350VM-XXP</td><td>P69</td></tr> <tr><td>ECH350VM-XXPL</td><td>P69</td></tr> <tr><td>ECH350RRM-XXP</td><td>P69</td></tr> <tr><td>ECH350RRM-XXPL</td><td>P69</td></tr> </table> <p>Please refer to the related page number for the compatible headers.</p>		ECH350RM-XXP	P69	ECH350RM-XXPL	P69	ECH350VM-XXP	P69	ECH350VM-XXPL	P69	ECH350RRM-XXP	P69	ECH350RRM-XXPL	P69																				
ECH350H-XXP	P70																																																																																										
ECH350R-XXP	P69																																																																																										
ECH350R-XXPL	P69																																																																																										
ECH350V-XXP	P69																																																																																										
ECH350V-XXPL	P69																																																																																										
ECH350RR-XXP	P69																																																																																										
ECH350RR-XXPL	P69																																																																																										
ECH350VT-XXP	P70																																																																																										
ECH350RM-XXP	P69																																																																																										
ECH350RM-XXPL	P69																																																																																										
ECH350VM-XXP	P69																																																																																										
ECH350VM-XXPL	P69																																																																																										
ECH350RRM-XXP	P69																																																																																										
ECH350RRM-XXPL	P69																																																																																										
ECH350H-XXP	P70																																																																																										
ECH350R-XXP	P69																																																																																										
ECH350R-XXPL	P69																																																																																										
ECH350V-XXP	P69																																																																																										
ECH350V-XXPL	P69																																																																																										
ECH350RR-XXP	P69																																																																																										
ECH350RR-XXPL	P69																																																																																										
ECH350VT-XXP	P70																																																																																										
ECH350RM-XXP	P69																																																																																										
ECH350RM-XXPL	P69																																																																																										
ECH350VM-XXP	P69																																																																																										
ECH350VM-XXPL	P69																																																																																										
ECH350RRM-XXP	P69																																																																																										
ECH350RRM-XXPL	P69																																																																																										

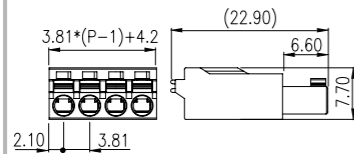
3.81mm

Technical Data	UL	IEC
Rated voltage	300V	320V
Rated current	8A	8A
Solid (AWG/mm ²)	24~16	0.2~1.5
Flexible (AWG/mm ²)	24~16	0.2~1.5
Rated impulse voltage	2.5KV	
Wire strip length	8~10mm	
Number of Positions		
0221-42XX	02~24P	
0221-43XX	02~24P	
0221-44XX	02~24P	

0221-42XX



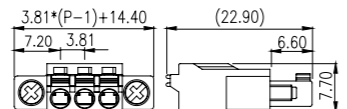
UL US



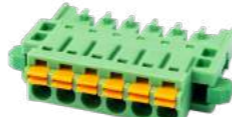
0221-43XX



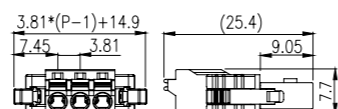
UL US



0221-44XX



UL US



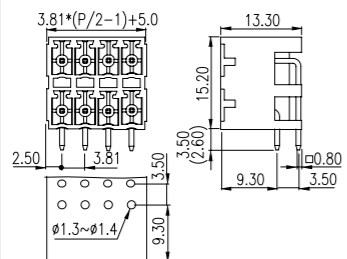
3.81mm

Technical Data	UL	IEC
Rated voltage	300V	320V
Rated current	8A	8A
Rated impulse voltage	2.5KV	
Number of Positions		
0221-33XX-BK	04~48P	
0221-33XXL	04~48P	
0221-39XX-BK	04~48P	
0221-39XXL	04~48P	
0221-51XX-BK	04~48P	
0221-51XXL	04~48P	
0221-52XX-BK	04~48P	
0221-52XXL	04~48P	
ECH381RJ-XXPL	02~24P	
ECH381VJ-XXPL	02~24P	
Accessories		
ECHK1	P68	
ECHK1L	P68	

0221-33XX-BK (0221-33XXL)



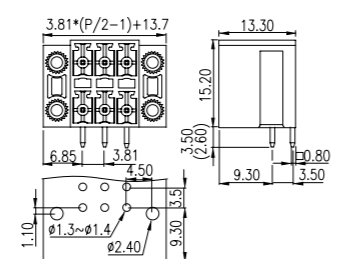
UL US



0221-51XX-BK (0221-51XXL)



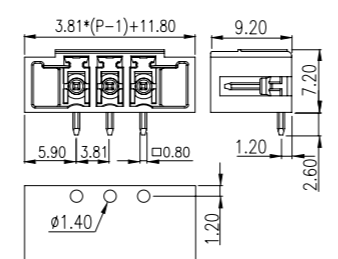
UL US



ECH381RJ-XXPL



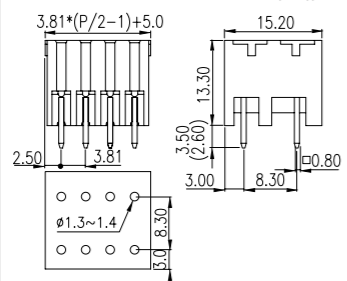
UL US



0221-39XX-BK (0221-39XXL)



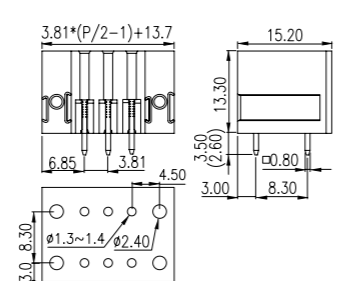
UL US



0221-52XX-BK (0221-52XXL)



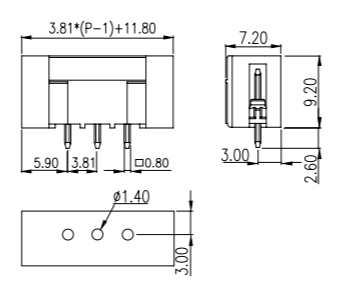
UL US



ECH381VJ-XXPL



UL US



Socket

ECH381A-XXP	P72
ECH381H-XXP	P72
ECH381R-XXP	P71
ECH381R-XXPL	P71
ECH381V-XXP	P71
ECH381V-XXPL	P71
ECH381RR-XXP	P71
ECH381RR-XXPL	P71

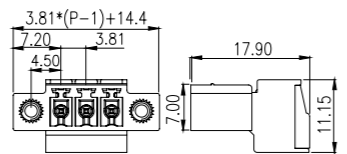
Please refer to the related page number for the compatible headers.

ECSH381VM-XXP



UL US

Refer to P.27



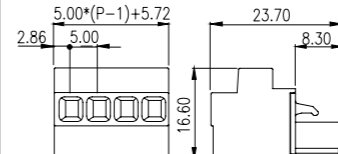
5.00mm

Technical Data	UL	IEC
Rated voltage	300V	600V
Rated current	10A	18A
Solid (AWG/mm ²)	26~12	0.2~2.5
Flexible (AWG/mm ²)	26~12	0.2~2.5
Rated impulse voltage	4KV	
Wire strip length	10~11mm	
Number of Positions		
5ESV-XXP	02~24P	
5ESVM-XXP	02~24P	
5ESVK-XXP	02~24P	
5ESR-XXP	02~24P	
5ESRM-XXP	02~24P	
5ESRK-XXP	02~24P	
Accessories		
ESDK1	P68	
ESDK2	P68	

5ESV-XXP



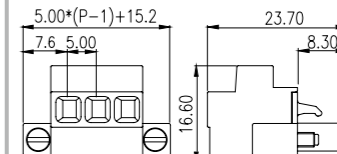
UL US



5ESVM-XXP



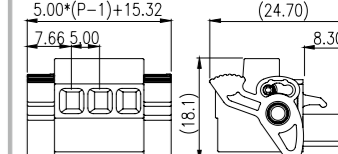
UL US



5ESVK-XXP



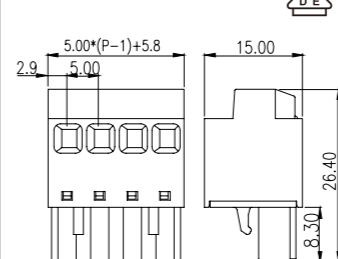
UL US



5ESR-XXP



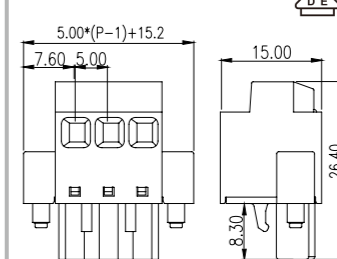
UL US



5ESRM-XXP



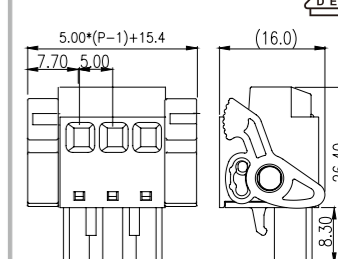
UL US



5ESRK-XXP



UL US



Socket

5EHDR-XXP	P73
5EHDR-XXPL	P73
5EHDR-XXPL	P73
5EHDR-XXPL	P73
5EHDR-XXPL	P73
5EHDR-XXPL	P73
5EHDR-XXPL	P73
5EHDR-XXPL	P73
5EHDR-XXPL	P73
5EHDR-XXPL	P73
5EHDR-XXPL	P73

Please refer to the related page number for the compatible headers.


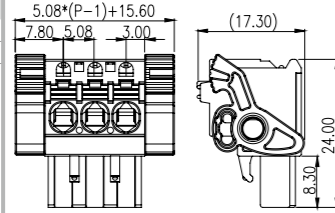
Socket

5EHDKPM-XXP	P82
5EHDRM-XXP	P74
5EHDRM-XXPL	P74
5EHDVM-XXP	P74
5EHDVM-XXPL	P74

Please refer to the related page number for the compatible headers.


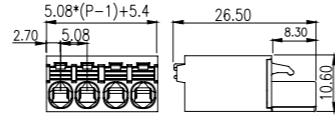
5.08mm 2ESDSVK-XXP

Technical Data	UL	IEC
Rated voltage	300V	630V
Rated current	10A	18A
Solid (AWG/mm ²)	26~12	0.2~2.5
Flexible (AWG/mm ²)	26~12	0.2~2.5
Rated impulse voltage	4KV	
Wire strip length	12~13mm	
Number of Positions		
2ESDSV-XXP	02~24P	
2ESDSVM-XXP	02~24P	
2ESDSVK-XXP	02~24P	
Accessories		
ESDK1	P68	
ESDK2	P68	


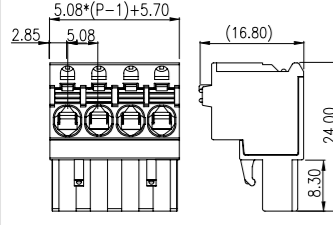



5.08mm 2ESS-XXP


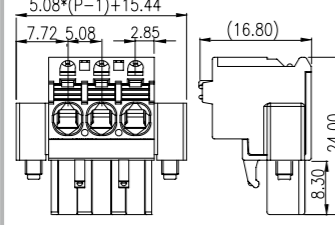
Technical Data	UL	IEC
Rated voltage	300V	630V
Rated current	15A	18A
Solid (AWG/mm ²)	24~12	0.2~2.5
Flexible (AWG/mm ²)	24~12	0.2~2.5
Rated impulse voltage	4KV	
Wire strip length	10~11mm	
Number of Positions		
2ESS-XXP	02~24P	
2ESSM-XXP	02~24P	
Accessories		
ESDK1	P68	
ESDK2	P68	

2ESDSV-XXP


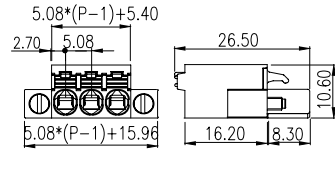
2ESDSVM-XXP

2ESDV-XXP




2ESSM-XXP

Socket

2EHDR-XXP	P76
2EHDR-XXPL	P76
2EHDR-XXPL	P76
2EHDV-XXP	P76
2EHDV-XXPL	P76
2EHDV-XXPL	P76

Please refer to the related page number for the compatible headers.

Socket

2EHDRM-XXP	P76
2EHDRRM-XXPL	P76
2EHDRM-XXPL	P76
2EHDVM-XXP	P76
2EHDVM-XXPL	P76
2EHDVM-XXPL	P76

Please refer to the related page number for the compatible headers.

Socket

2EHDA-XXP	P75
2EHDAC-XXP	P75
2EHDR-XXP	P76
2EHDR-XXPL	P76
2EHDRC-XXP	P76
2EHDRC-XXPL	P76
2EHDV-XXP	P76
2EHDV-XXPL	P76
2EHDVC-XXP	P76
2EHDVC-XXPL	P76

Please refer to the related page number for the compatible headers.

Socket

2EHDP-XXP	P81
2EHDRM-XXP	P76
2EHDRM-XXPL	P76
2EHDVM-XXP	P76
2EHDVM-XXPL	P76
2EHDRRM-XXPL	P76

Please refer to the related page number for the compatible headers.


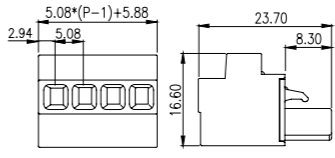
Socket

2EHDA-XXP	P75
2EHDAC-XXP	P75
2EHDR-XXP	P76
2EHDR-XXPL	P76
2EHDRC-XXP	P76
2EHDRC-XXPL	P76
2EHDV-XXP	P76
2EHDV-XXPL	P76
2EHDVC-XXP	P76
2EHDVC-XXPL	P76


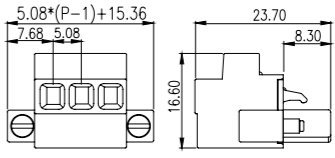
Please refer to the related page number for the compatible headers.

5.08mm 2ESV-XXP


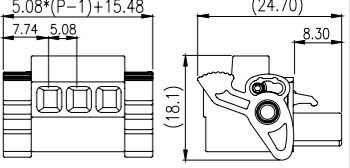
Technical Data	UL	IEC
Rated voltage	300V	600V
Rated current	10A	18A
Solid (AWG/mm ²)	26~12	0.2~2.5
Flexible (AWG/mm ²)	26~12	0.2~2.5
Rated impulse voltage	4KV	
Wire strip length	10~11mm	
Number of Positions		
2ESV-XXP	02~24P	
2ESVM-XXP	02~24P	
2ESVK-XXP	02~24P	
2ESR-XXP	02~24P	
2ESRM-XXP	02~24P	
2ESRK-XXP	02~24P	
Accessories		
ESDK1	P68	
ESDK2	P68	


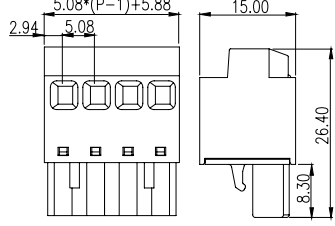
5.08mm 2ESVM-XXP


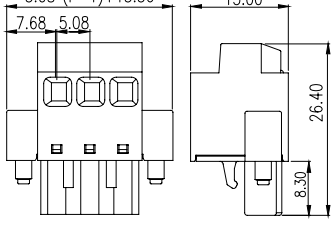
5.08mm 2ESVK-XXP

2ESR-XXP

2ESRM-XXP

2ESRK-XXP




Socket

2EHDA-XXP	P75
2EHDAC-XXP	P75
2EHDR-XXP	P76
2EHDR-XXPL	P76
2EHDRC-XXP	P76
2EHDRC-XXPL	P76
2EHDV-XXP	P76
2EHDV-XXPL	P76
2EHDVC-XXP	P76
2EHDVC-XXPL	P76

Please refer to the related page number for the compatible headers.

Socket

2EHDP-XXP	P81
2EHDRM-XXP	P76
2EHDRM-XXPL	P76
2EHDVM-XXP	P76
2EHDVM-XXPL	P76
2EHDRRM-XXPL	P76

Please refer to the related page number for the compatible headers.

I/O PCB Connectors





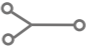
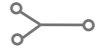
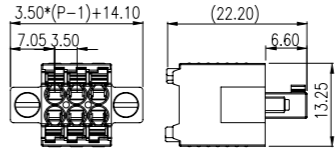
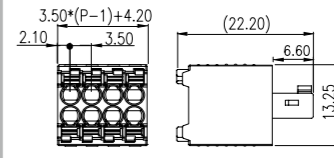




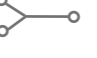
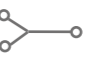
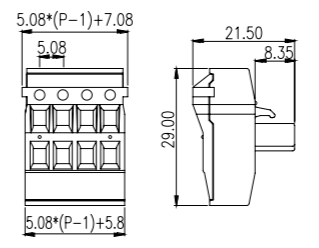
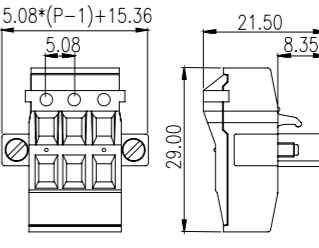
I/O (input/output) connector is an electrical connector which is between frequently plugged/unplugged cables and their applications to secure electrical contacts and to provide high-speed data transmission.

These connectors are typically used in products that require data transfer or internet connectivity which needs to convey signals between devices like PLC or other controllers.

0161, 0181 and 0187 series products can provide serial communication solutions, in the communication protocol applications such as Profibus, CANbus and Modbus 485, the communication signals are transmitted between the master station and the slave stations via the connector's connections.

With Dinkle wide range of PCB sockets, 0161, 0181 and 0187 series can mate with 3.5mm, 5.0mm and 10.16mm pitch socket to carry out the applications of PCB-to-Wire and Wire-to-Wire solutions.



3.5mm			0181-A1XX		0181-A3XX	
Technical Data	UL	IEC				
Rated voltage	300V	320V				
Rated current	8A	8A				
Solid (AWG/mm ²)	24~16	0.2~1.5				
Flexible (AWG/mm ²)	24~16	0.2~1.5				
Rated impulse voltage		2.5KV				
Wire strip length	9~10mm					
Number of Positions			Socket		Socket	
0181-A1XX	02~24P		ECH350RM-XXP	P69	ECH350H-XXP	P70
0181-A3XX	02~24P		ECH350RM-XXPL	P69	ECH350R-XXP	P69
			ECH350VM-XXP	P69	ECH350R-XXPL	P69
			ECH350VM-XXPL	P69	ECH350V-XXP	P69
			ECH350RRM-XXP	P69	ECH350V-XXPL	P69
			ECH350RRM-XXPL	P69	ECH350RR-XXP	P69
			Please refer to the related page number for the compatible headers.		ECH350RR-XXPL	P69
					Please refer to the related page number for the compatible headers.	
5.08mm			2ESDVB-XXP		2ESDVB-XXP	
Technical Data	UL	IEC				
Rated voltage	300V	630V				
Rated current	15A	18A				
Solid (AWG/mm ²)	28~12	0.2~4				
Flexible (AWG/mm ²)	30~12	0.2~2.5				
Rated impulse voltage		4KV				
Torque (N-m)	0.5~0.6					
Screw	M2.5					
Wire strip length	7~8mm					
Number of Positions			Socket		Socket	
2ESDVB-XXP	02~12P		2EHDVC-XXP	P76	2EHDVM-XXP	P76
2ESDVB-XXP	02~12P		2EHDVC-XXPL	P76	2EHDVM-XXPL	P76
			2EHDR-XXP	P76	2EHDRM-XXP	P76
			2EHDR-XXPL	P76	2EHDRM-XXPL	P76
			2EHDRC-XXP	P76	2EHD-XXP	P81
			2EHDRC-XXPL	P76	Please refer to the related page number for the compatible headers.	
			2EHDAC-XXP	P75		
			Please refer to the related page number for the compatible headers.			

5.00mm

Technical Data	UL	IEC
Rated voltage	300V	630V
Rated current	15A	18A
Solid (AWG/mm ²)	26~12	0.2~2.5
Flexible (AWG/mm ²)	26~12	0.2~2.5
Rated impulse voltage	4KV	
Wire strip length	12~13mm	
Number of Positions		
0161-01XX	02~24P	
0161-02XX	02~24P	
0161-03XX	02~24P	
0161-04XX	02~24P	
Accessories		
0227K1	P19	

0161-01XX

Dimensions: 5.00*(P-1)+15.00, 7.50, 5.00, (28.20), 10.80, 20.80

0161-02XX

Dimensions: 5.00*(P-1)+5.4, (5.75), (5.75), (29.65), 12.25, 20.80, 5.00

0161-03XX

Dimensions: 5.00*(P-1)+6.20, 3.10, 5.00, (28.20), 10.80, 20.80

0161-04XX

Dimensions: 5.00*(P-1)+12.20, 6.10, 5.00, (31.6), 10.80, 20.80

5.08mm

Technical Data	UL	IEC
Rated voltage	300V	600V
Rated current	12A	15A
Solid (AWG/mm ²)	24~12	0.2~2.5
Flexible (AWG/mm ²)	24~12	0.2~2.5
Rated impulse voltage	4KV	
Wire strip length	11~12mm	
Number of Positions		
2ESDB-XXP	02~24P	
2ESDBA-XXP	02~24P	
2ESDBM-XXP	02~24P	
2ESDBAM-XXP	02~24P	
Accessories		
ESDK1	P68	
ESDK2	P68	

2ESDB-XXP

Dimensions: 5.08*(P-1)+5.20, 2.60, 5.08, 25.40, 8.30, 18.00

2ESDBM-XXP

Dimensions: 5.08*(P-1)+15.36, 2.60, 5.08, 25.40, 8.30, 18.00

5.00mm

Technical Data	UL	IEC
Rated voltage	300V	630V
Rated current	15A	18A
Rated impulse voltage	4KV	
Number of Positions		
0227-16XX	02~16P	
0227-16XXL	02~16P	
0227-17XX	02~16P	
0227-17XXL	02~16P	
0227-26XX	02~16P	
0227-26XXL	02~16P	
0227-27XX	02~16P	
0227-27XXL	02~16P	
0227-36XX	02~16P	
0227-36XXL	02~16P	
0227-37XX	02~16P	
0227-37XXL	02~16P	
0227-09XX	02~24P	
0161-11XX	02~24P	
0161-12XX	02~24P	
0161-13XX	02~24P	
0161-14XX	02~24P	

0227-16XX (0227-16XXL)

with support pins

Dimensions: 5.00*P+10, 16.00, 14.75, 2.50, 5.00, 1.80, 3.50, (2.60) 8.00, 14.75, 2.95, 2.60, 0.90, 1.35~1.45, 2.40

0227-26XX (0227-26XXL)

with support pins

Dimensions: 5.00*P+8.0, 16.00, 14.75, 1.50, 5.00, 1.80, 3.50, (2.60) 8.00, 14.75, 1.15, 2.60, 0.90, 1.35~1.45

0227-36XX (0227-36XXL)

with support pins

Dimensions: 5.00*P+8.0, 16.00, 14.75, 1.50, 5.00, 1.80, 3.50, (2.60) 8.00, 14.75, 2.95, 2.60, 0.90, 1.35~1.45

0227-09XX

Dimensions: 5.00*(P+1)+2.40, (30.15), 10.95, 12.10

2ESDBA-XXP

Dimensions: 5.08*(P-1)+5.20, 2.60, 5.08, 25.40, 8.30, 21.50

2ESDBAM-XXP

Dimensions: 5.08*(P-1)+15.36, 2.60, 5.08, 25.40, 8.30, 21.50

0227-17XX (0227-17XXL)

with support pins

Dimensions: 5.00*P+10, 8.00, 16.00, 2.50, 5.00, 1.80, 3.40, 3.40, 1.00, 1.35~1.45, 2.60, 0.90

0227-27XX (0227-27XXL)

with support pins

Dimensions: 5.00*P+8.0, 8.00, 16.00, 1.50, 5.00, 1.80, 3.40, 3.40, 1.00, 1.35~1.45, 2.60, 0.90

0227-37XX (0227-37XXL)

with support pins

Dimensions: 5.00*P+8.0, 8.00, 16.00, 1.50, 5.00, 1.80, 3.40, 3.40, 1.00, 1.35~1.45, 2.60, 0.90

Socket

2EHDA-XXP	P75
2EHDAC-XXP	P75
2EHDR-XXP	P76
2EHDR-XXPL	P76
2EHDR-XXP	P76
2EHDR-XXPL	P76
2EHDR-XXP	P76
2EHDR-XXPL	P76
2EHDR-XXP	P76
2EHDR-XXPL	P76
2EHDR-XXP	P76
2EHDR-XXPL	P76
2EHDR-XXP	P76
2EHDR-XXPL	P76
2EHDR-XXP	P76
2EHDR-XXPL	P76
2EHDR-XXP	P76
2EHDR-XXPL	P76
2EHDR-XXP	P76
2EHDR-XXPL	P76

Please refer to the related page number for the compatible headers.

Socket

2EHDRM-XXP	P76
2EHDRM-XXPL	P76
2EHDVM-XXP	P76
2EHDVM-XXPL	P76
2EHDRRM-XXPL	P76

Please refer to the related page number for the compatible headers.

0161-11XX

Dimensions: 5.00*(P-1)+15.00, 7.50, 5.00, (29.40), 12.00, 20.80, 7.80

0161-12XX

Dimensions: 5.00*(P-1)+13.00, 6.50, 5.00, (30.00), 12.60, 20.80, 7.80

0161-13XX

Dimensions: 5.00*(P-1)+6.20, 3.10, 5.00, (29.4), 12.00, 20.80, 7.80

0161-14XX

Dimensions: 2.50 5.00*(P-1)+6.2 2.50, (29.40), 12.00, 20.80, 7.80

10.16mm

Technical Data	UL	IEC
Rated voltage	600V	1000V
Rated current	51A	76A
Solid (AWG/mm ²)	20~4	0.75~16
Flexible (AWG/mm ²)	20~4	0.75~16
Rated impulse voltage	8KV	
Wire strip length	18~20mm	
Number of Positions		
0187-A4XX	02~10P	
Accessories		
ECHK2	P68	

0187-A4XX

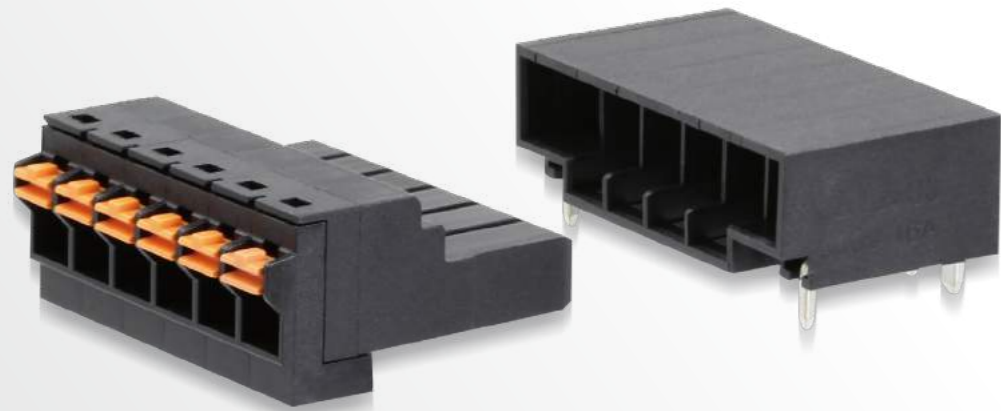
Dimensions: 7.08, 10.16, (10.16*(P-1)+13.96), 48.00, 14.80, 49.80

Socket

ECH116L-XXP	P67
ECH116V-XXP	P67
ECH116R-XXP	P67
ECH116HVS-XXP	P67
ECH116HRS-XXP	P67

Please refer to the related page number for the compatible headers.

PID Plugs & Sockets - Stable Type



Easy clip design



Strengthened mounting structure

Connection method: Push-in connection


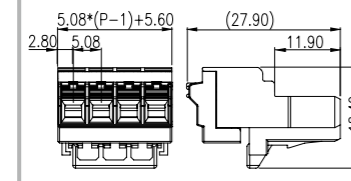
Pitch: 5.08mm / 6.35mm / 7.50mm


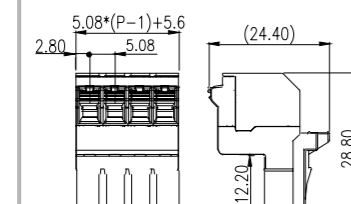
UL Rated: 300V / 16A, 600V / 20A


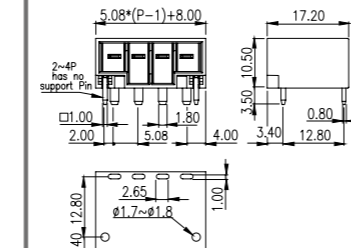
IEC Rated: 3320V / 20A, 1000V / 20A

- With lock flange directly beneath
- The plug is in minimum width to save space
- Release tool (SDH-002) allows wiring operation by single hand
- Additional support pins on both sides of The socket for extra strength


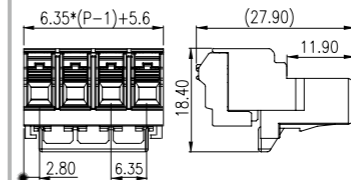
5.08mm			5.08mm		
Technical Data	UL	IEC	Technical Data	UL	IEC
Rated voltage	300V	320V	Rated voltage	300V	320V
Rated current	16A	20A	Rated current	16A	20A
Solid (AWG/mm ²)	24~12	0.2~2.5	Rated impulse voltage		4KV
Flexible (AWG/mm ²)	24~12	0.2~2.5	Number of Positions		
Rated impulse voltage		4KV	0150-20XX		02~24P
Wire strip length	11~12mm		- 05~24P versions with support pin		
Number of Positions			0150-21XX		
0150-20XX	02~24P		0150-21XX		
0150-21XX	02~24P		0150-26XX		


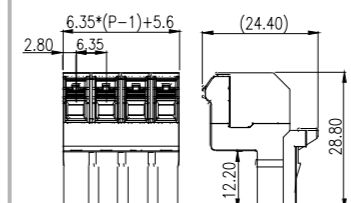




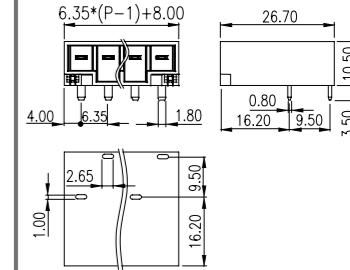




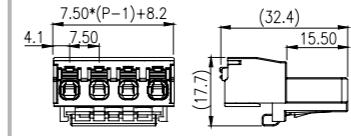
6.35mm			6.35mm		
Technical Data	UL	IEC	Technical Data	UL	IEC
Rated voltage	600V	1000V	Rated voltage	600V	1000V
Rated current	20A	20A	Rated current	20A	20A
Solid (AWG/mm ²)	24~12	0.2~2.5	Rated impulse voltage		8KV
Flexible (AWG/mm ²)	24~12	0.2~2.5	Number of Positions		
Rated impulse voltage		8KV	0150-30XX		02~12P
Wire strip length	11~12mm		0150-31XX		02~12P
Number of Positions			0150-36XX		
0150-30XX	02~12P		0150-36XX		
0150-31XX	02~12P		0150-40XX		


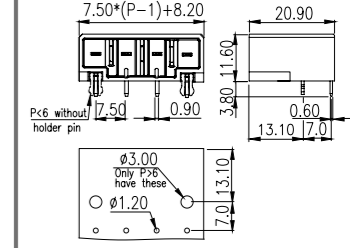




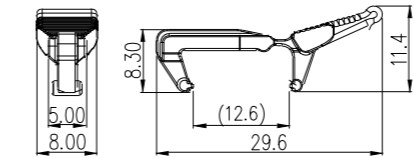
7.50mm			7.50mm		
Technical Data	UL	IEC	Technical Data	UL	IEC
Rated voltage	600V	630V	Rated voltage	300V	630V
Rated current	15A	18A	Rated current	15A	18A
Solid (AWG/mm ²)	20~12	0.5~2.5	Rated impulse voltage		6KV
Flexible (AWG/mm ²)	20~12	0.5~2.5	Number of Positions		
Rated impulse voltage		8KV	0150-40XX		02~12P
Wire strip length	12~13mm		0150-46XX		02~12P
Number of Positions			0150-46XX		
0150-40XX	02~12P		0150-46XX		


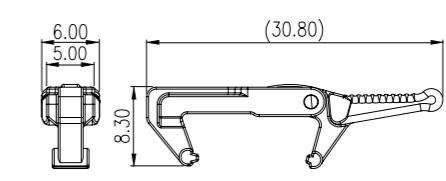
SDH-002 (for 0150 series only)



Basic type

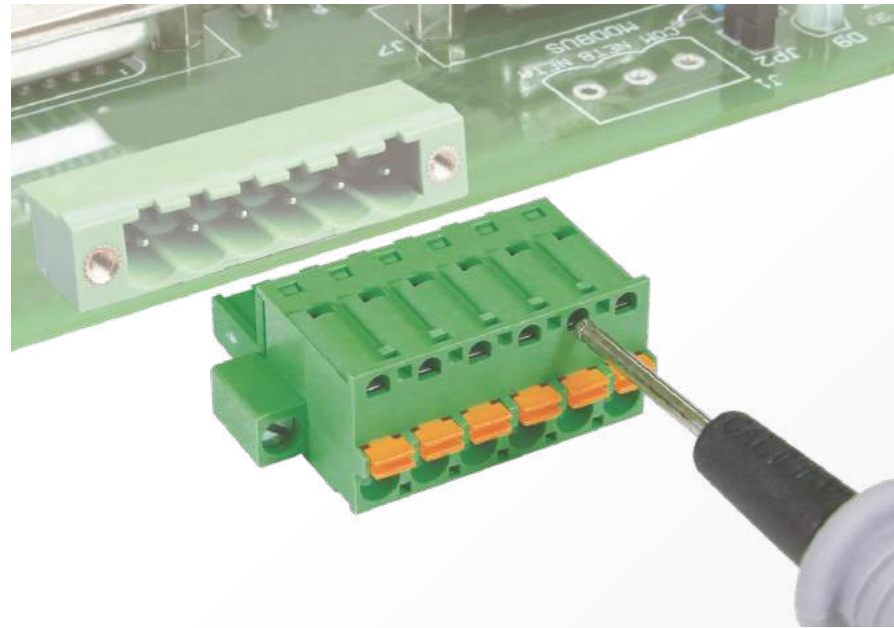
SDH-003 (for 0150 series only)

Durable type

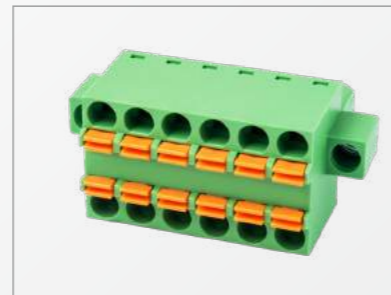



PID Plugs & Sockets - Regular Type



Screw mounting flange for secure connection



Twin connection plug is available





Plug can connect with reflow-solderable sockets




Connection method: Push-in connection
Pitch: 2.50mm / 3.50mm / 3.81mm / 5.0mm / 5.08mm / 7.62mm
UL Rated: 150V / 4A ~ 300V / 15A
IEC Rated: 250V / 12A ~ 800V / 15A

- Direct Push-in connection single-level and front twin connection plugs
- Mounting by screw flange and Release tool.
- With testing holes




Testing hole dimensions

Product series	Pitch(mm)	Hole Ø (mm)
ESC250	2.50	1.10
ESC350	3.50	1.25
ESC381	3.81	1.25
5ESDS	5.00	2.30
2ESDS	5.08	2.30
ESC508	5.08	1.25
3ESDS	7.62	2.30

2.50mm			ESC250V-XXP	ESC250L-XXP	Socket
Technical Data	UL	IEC			ECH250R-XXP P68
Rated voltage	150V	320V			ECH250R-XXPL P68
Rated current	4A	4A			ECH250V-XXP P68
Solid (AWG/mm ²)	28~20	0.2~0.5			ECH250V-XXPL P68
Flexible (AWG/mm ²)	28~20	0.2~0.5			ECHB250R-XXP P68
Rated impulse voltage		2.5KV			ECHB250V-XXP P68
Wire strip length	8mm				
Number of Positions					
ESC250V-XXP	02~24P				
ESC250L-XXP	02~24P				
Please refer to the related page number for the compatible headers.					

3.50mm			ESC350V-XXP	ESC350VM-XXP	ESC350VK-XXP
Technical Data	UL	IEC			
Rated voltage	300V	500V			
Rated current	8A	10A			
Solid (AWG/mm ²)	28~16	0.2~1.5			
Flexible (AWG/mm ²)	28~16	0.2~1.5			
Rated impulse voltage		4KV			
Wire strip length	9~10mm				
Number of Positions					
ESC350V-XXP	02~24P				
ESC350VM-XXP	02~24P				
ESC350VK-XXP	02~24P				
Please refer to the related page number for the compatible headers.					

Socket		Socket		Socket	
ECH350V-XXP	P69	ECH350VM-XXP	P69	ECH350VM-XXP	P69
ECH350V-XXPL	P69	ECH350VM-XXPL	P69	ECH350VM-XXPL	P69
ECHB350V-XXP	P70	ECHB350VM-XXP	P70	ECH350RM-XXP	P69
EECH350V-XXP	P70	EECH350VM-XXP	P70	ECH350RM-XXPL	P69
ECH350H-XXP	P70	ECH350RM-XXP	P69	Please refer to the related page number for the compatible headers.	
ECH350R-XXP	P69	ECH350RM-XXPL	P69		
ECH350R-XXPL	P69	ECHB350RM-XXP	P70		
ECHB350R-XXP	P70	EECH350RM-XXP	P70		
EECH350R-XXP	P70	ECH350RRM-XXP	P69		
ECH350RR-XXP	P69	ECH350RRM-XXPL	P69		
ECH350RR-XXPL	P69	Please refer to the related page number for the compatible headers.			

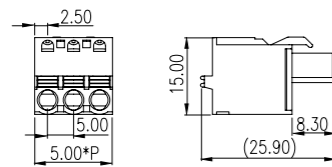
3.81mm			ESC381V-XXP	ESC381VM-XXP	ESC381VK-XXP
Technical Data	UL	IEC			
Rated voltage	300V	500V			
Rated current	8A	10A			
Solid (AWG/mm ²)	28~16	0.2~1.5			
Flexible (AWG/mm ²)	28~16	0.2~1.5			
Rated impulse voltage		4KV			
Wire strip length	9~10mm				
Number of Positions					
ESC381V-XXP	02~20P				
ESC381VM-XXP	02~20P				
ESC381VK-XXP	02~20P				
Please refer to the related page number for the compatible headers.					

Socket		Socket		Socket	
ECH381A-XXP	P72	ECH381AM-XXP	P72	ECHB381RRD-XXP	P72
ECH381H-XXP	P72	ECH381RM-XXP	P71	Please refer to the related page number for the compatible headers.	
ECH381R-XXP	P71	ECH381RM-XXPL	P71		
ECH381R-XXPL	P71	ECH381VM-XXP	P71		
ECH381V-XXP	P71	ECH381VM-XXPL	P71		
ECH381V-XXPL	P71	Please refer to the related page number for the compatible headers.			

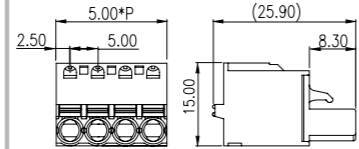
5.00mm

Technical Data	UL	IEC
Rated voltage	300V	600V
Rated current	10A	12A
Solid (AWG/mm ²)		0.2~2.5
Flexible (AWG/mm ²)	26~12	0.2~2.5
Rated impulse voltage		4KV
Wire strip length	11~12mm	
Number of Positions		
5ESDS-XXP	02~24P	
5ESDSR-XXP	02~24P	
5ESDSM-XXP	02~24P	
5ESDSRM-XXP	02~24P	
Accessories		
ESDK1	P68	
ESDK2	P68	

5ESDS-XXP



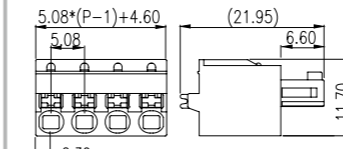
5ESDSR-XXP



Technical Data	UL	IEC
Rated voltage	300V	630V
Rated current	8A	8A
Solid (AWG/mm ²)	28~16	0.2~1.5
Flexible (AWG/mm ²)	28~16	0.2~1.5
Rated impulse voltage		4KV
Wire strip length	9mm	
Number of Positions		
ESC508V-XXP	02~24P	
ESC508VM-XXP	02~24P	

5.08mm

ESC508V-XXP

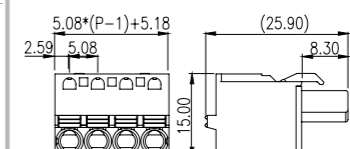


5.08mm

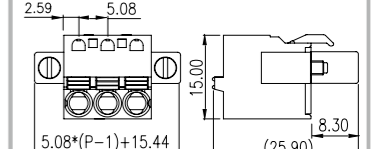
Technical Data	UL	IEC
Rated voltage	300V	600V
Rated current	10A	12A
Solid (AWG/mm ²)		0.2~2.5
Flexible (AWG/mm ²)	26~12	0.2~2.5
Rated impulse voltage		4KV
Wire strip length	11~12mm	
Number of Positions		
2ESDS-XXP	02~24P	
2ESDSR-XXP	02~24P	
2ESDSM-XXP	02~24P	
Accessories		
ESDK1	P68	
ESDK2	P68	

* IEC=630V, 18A

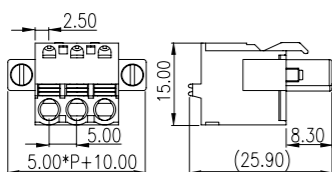
2ESDS-XXP



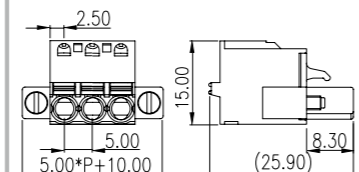
2ESDSM-XXP



5ESDSM-XXP



5ESDSRM-XXP

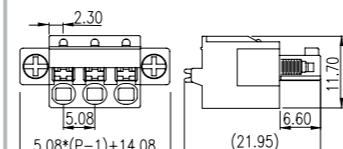


Socket

ECH508R-XXP	P75
ECH508V-XXP	P75

Please refer to the related page number for the compatible headers.

ESC508VM-XXP

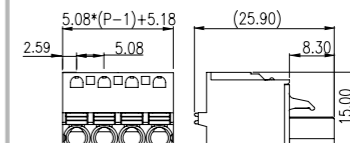


Socket

ECH508RM-XXP	P75
ECH508VM-XXP	P75

Please refer to the related page number for the compatible headers.

2ESDSR-XXP



Socket

5EHDR-XXP	P73
5EHDR-XXPL	P73
5EHDR-XXPL	P73
5EHDR-XXPL	P73
5EHDR-XXPL	P73
5EHDR-XXPL	P73
5EHDR-XXPL	P73
5EHDR-XXPL	P73
5EHDR-XXPL	P73
5EHDR-XXPL	P73
5EHDR-XXPL	P73
5EHDR-XXPL	P73
5EHDR-XXPL	P73

Please refer to the related page number for the compatible headers.

Socket

5EHDKPM-XXP	P82
5EHDRM-XXP	P74
5EHDRM-XXPL	P74
5EHDVM-XXP	P74
5EHDVM-XXPL	P74
5EHDVM-XXPL	P74
5EHDRRM-XXPL	P74

Please refer to the related page number for the compatible headers.

Socket

2EHDA-XXP	P75
2EHDAC-XXP	P75
2EHDR-XXP	P76
2EHDR-XXPL	P76
2EHDRC-XXP	P76
2EHDRC-XXPL	P76
2EHDV-XXP	P76
2EHDV-XXPL	P76
2EHDVC-XXP	P76
2EHDVC-XXPL	P76
2EHDRR-XXPL	P76
2EHDRC-XXPL	P76

Please refer to the related page number for the compatible headers.

Socket

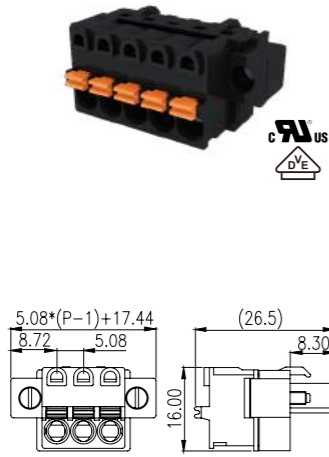
2EHDRM-XXP	P76
2EHDRM-XXPL	P76
2EHDVM-XXP	P76
2EHDVM-XXPL	P76
2EHDVM-XXPL	P76

Please refer to the related page number for the compatible headers.

5.08mm

0121-01XX

Technical Data	UL	IEC
Rated voltage		
0121-01XX	300V	1000V
2ESDSRM-XXP	300V	630V
Rated current		
0121-01XX	10A	12A
2ESDSRM-XXP	10A	18A
Solid (AWG/mm ²)	26~12	0.2~2.5
Flexible (AWG/mm ²)	26~12	0.2~2.5
Rated current		
0121-01XX		6KV
2ESDSRM-XXP		4KV
Wire strip length	11~12mm	
Number of Positions		
0121-01XX	02~24P	
2ESDSRM-XXP	02~24P	
Accessories		
ESDK1	P68	
ESDK2	P68	

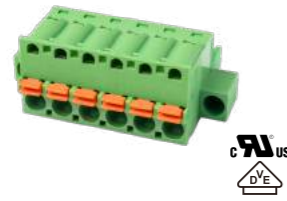


Socket

2EHDRM-XXP	P76
2EHDRM-XXPL	P76
2EHDVM-XXP	P76
2EHDVM-XXPL	P76
2EHDBRM-XXP	P77
2EHDBVM-XXP	P77

Please refer to the related page number for the compatible headers.

2ESDSRM-XXP



Socket

2EHDRM-XXP	P76
2EHDRM-XXPL	P76
2EHDVM-XXP	P76
2EHDVM-XXPL	P76
2EHDRM-XXPL	P76

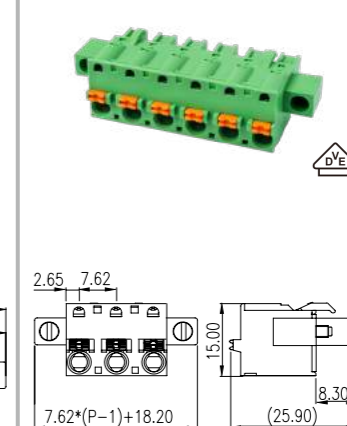
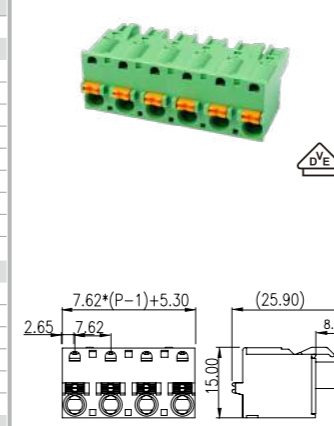
Please refer to the related page number for the compatible headers.

7.62mm

3ESDS-XXP

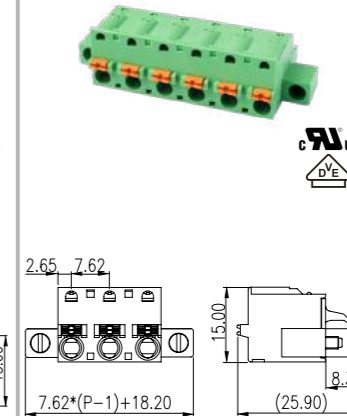
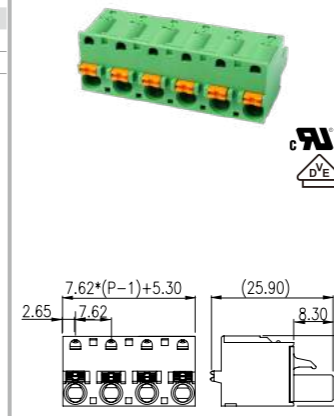
3ESDSM-XXP

Technical Data	UL	IEC
Rated voltage		
	300V	800V
Rated current		
3ESDS-XXP	10A	15A
3ESDSR-XXP	10A	15A
3ESDSM-XXP	10A	15A
3ESDSRM-XXP	10A	15A
3ESDSRH	18A	15A
3ESDSRHM	18A	15A
Solid (AWG/mm ²)	26~12	0.2~2.5
Flexible (AWG/mm ²)	26~12	0.2~2.5
Rated impulse voltage	6KV	
Wire strip length		
3ESDS-XXP	10~11mm	
3ESDSR-XXP	10~11mm	
3ESDSM-XXP	10~11mm	
3ESDSRM-XXP	10~11mm	
3ESDSRH	8~9mm	
3ESDSRHM	8~9mm	
Number of Positions		
3ESDS-XXP	02~12P	
3ESDSR-XXP	02~12P	
3ESDSM-XXP	02~12P	
3ESDSRM-XXP	02~12P	
3ESDSRH	02~12P	
3ESDSRHM	02~12P	
Accessories		
ESDK1	P68	
ESDK2	P68	



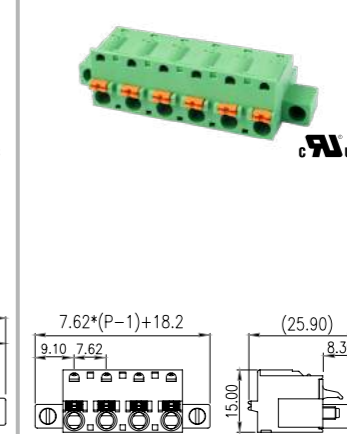
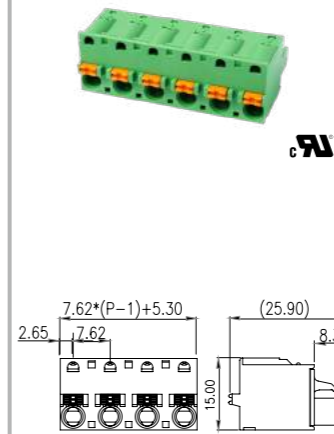
3ESDSR-XXP

3ESDSRM-XXP



3ESDSRH-XXP

3ESDSRHM-XXP



Socket

3EHDR-XXP	P78
3EHDR-XXPL	P78
3EHDRM-XXP	P78
3EHDRM-XXPL	P78
3EHDV-XXP	P78
3EHDV-XXPL	P78
3EHDVC-XXP	P78
3EHDVC-XXPL	P78

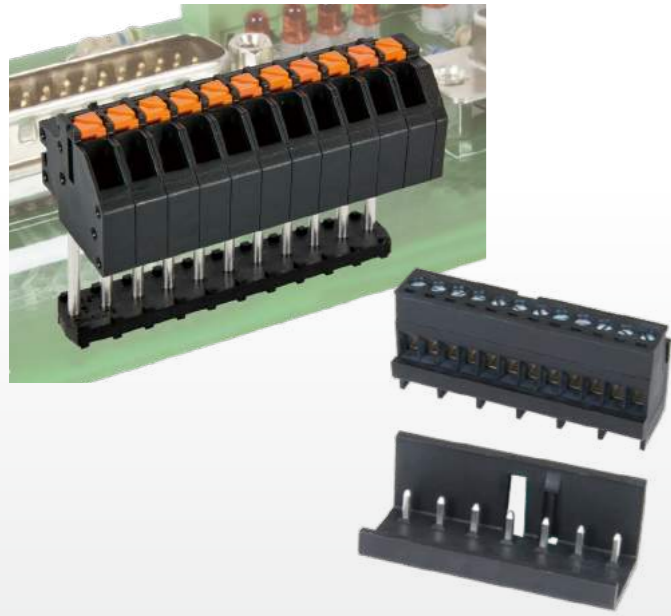
Please refer to the related page number for the compatible headers.

Socket

3EHDRM-XXP	P78
3EHDRM-XXPL	P78
3EHDVM-XXP	P78
3EHDVM-XXPL	P78

Please refer to the related page number for the compatible headers.

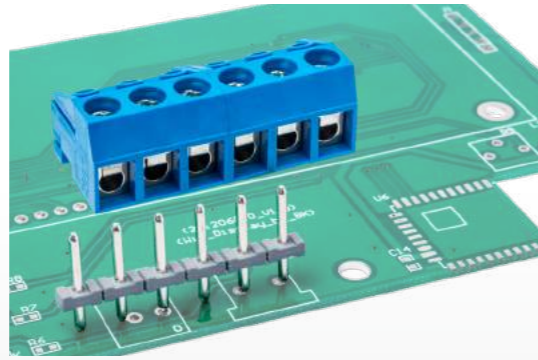
PID Plugs & Pin Strips



Connection method: **Push-in connection**
Screw connection

Pitch: 3.50 / 4.0 / 5.0 / 5.08mm
UL Rated: 150V/2A ~ 300V/12A
IEC Rated: 160V/4A ~ 320V/17.5A

Screw Plugs & Pin Strips



- 0191 connector cover, as the function of a lever, helps to remove the plug from the pin strip
- Reliable contact structure with high current capacity
- The plug "ED130R-XXP" is designed with a snap-in locking feet making installation on a mounting plate quick and easy
- For the pin strip part number which contains "TH" meaning the plastic is in high temperature withstand material for reflow soldering process.
- 0162 and 0164 series plugs are easy to plug in the pin socket, which is designed to make the combination more stable and solid
- Various lengths of pin strip are available by request

3.50mm		0191-01XX	0191-01XXC	0191-11XXTH																																						
<table border="1"> <tr><th>Technical Data</th><th>UL</th><th>IEC</th></tr> <tr><td>Rated voltage</td><td>150V</td><td>160V</td></tr> <tr><td>Rated current</td><td>2A</td><td>4A</td></tr> <tr><td>Solid (AWG/mm²)</td><td>28~16</td><td>0.5~1.5</td></tr> <tr><td>Flexible (AWG/mm²)</td><td>28~16</td><td>0.5~1.5</td></tr> <tr><td>Rated impulse voltage</td><td colspan="2">3KV</td></tr> <tr><td>Wire strip length</td><td colspan="2">8~9mm</td></tr> <tr><th colspan="3">Number of Positions</th></tr> <tr><td>0191-01XX</td><td colspan="2">02~20P</td></tr> <tr><td>0191-01XXC</td><td colspan="2">02~20P</td></tr> <tr><td>0191-11XXTH</td><td colspan="2">02~20P</td></tr> </table> <p>- Pin strip: 0191-11XXTH</p>	Technical Data	UL	IEC	Rated voltage	150V	160V	Rated current	2A	4A	Solid (AWG/mm ²)	28~16	0.5~1.5	Flexible (AWG/mm ²)	28~16	0.5~1.5	Rated impulse voltage	3KV		Wire strip length	8~9mm		Number of Positions			0191-01XX	02~20P		0191-01XXC	02~20P		0191-11XXTH	02~20P										
Technical Data	UL	IEC																																								
Rated voltage	150V	160V																																								
Rated current	2A	4A																																								
Solid (AWG/mm ²)	28~16	0.5~1.5																																								
Flexible (AWG/mm ²)	28~16	0.5~1.5																																								
Rated impulse voltage	3KV																																									
Wire strip length	8~9mm																																									
Number of Positions																																										
0191-01XX	02~20P																																									
0191-01XXC	02~20P																																									
0191-11XXTH	02~20P																																									
3.50mm		0191-06XX	0191-06XXC	0191-16XXTH																																						
<table border="1"> <tr><th>Technical Data</th><th>UL</th><th>IEC</th></tr> <tr><td>Rated voltage</td><td>300V</td><td>320V</td></tr> <tr><td>Rated current</td><td>8A</td><td>9A</td></tr> <tr><td>Solid (AWG/mm²)</td><td>24~16</td><td>0.2~1.5</td></tr> <tr><td>Flexible (AWG/mm²)</td><td>24~16</td><td>0.2~1.5</td></tr> <tr><td>Rated impulse voltage</td><td colspan="2">4KV</td></tr> <tr><td>Wire strip length</td><td colspan="2">8~9mm</td></tr> <tr><th colspan="3">Number of Positions</th></tr> <tr><td>0191-06XX</td><td colspan="2">02~20P</td></tr> <tr><td>0191-06XXC</td><td colspan="2">02~20P</td></tr> <tr><td>0191-16XXTH</td><td colspan="2">02~20P</td></tr> </table> <p>*UL=150V IEC=160V Pin strip:0191-16XXTH Various pin lengths available</p>	Technical Data	UL	IEC	Rated voltage	300V	320V	Rated current	8A	9A	Solid (AWG/mm ²)	24~16	0.2~1.5	Flexible (AWG/mm ²)	24~16	0.2~1.5	Rated impulse voltage	4KV		Wire strip length	8~9mm		Number of Positions			0191-06XX	02~20P		0191-06XXC	02~20P		0191-16XXTH	02~20P										
Technical Data	UL	IEC																																								
Rated voltage	300V	320V																																								
Rated current	8A	9A																																								
Solid (AWG/mm ²)	24~16	0.2~1.5																																								
Flexible (AWG/mm ²)	24~16	0.2~1.5																																								
Rated impulse voltage	4KV																																									
Wire strip length	8~9mm																																									
Number of Positions																																										
0191-06XX	02~20P																																									
0191-06XXC	02~20P																																									
0191-16XXTH	02~20P																																									
5.00mm		0191-02XX	0191-02XXC	0191-12XXTH																																						
<table border="1"> <tr><th>Technical Data</th><th>UL</th><th>IEC</th></tr> <tr><td>Rated voltage</td><td>300V</td><td>320V</td></tr> <tr><td>Rated current</td><td>2A</td><td>4A</td></tr> <tr><td>Solid (AWG/mm²)</td><td>28~16</td><td>0.5~1.5</td></tr> <tr><td>Flexible (AWG/mm²)</td><td>28~16</td><td>0.5~1.5</td></tr> <tr><td>Rated impulse voltage</td><td colspan="2">4KV</td></tr> <tr><td>Screw</td><td colspan="2">8~9mm</td></tr> <tr><th colspan="3">Number of Positions</th></tr> <tr><td>0191-02XX</td><td colspan="2">02~20P</td></tr> <tr><td>0191-02XXC</td><td colspan="2">02~20P</td></tr> <tr><td>0191-12XXTH</td><td colspan="2">02~20P</td></tr> </table> <p>*UL=5A Pin strip:0191-12XXTH Various pin lengths available</p>	Technical Data	UL	IEC	Rated voltage	300V	320V	Rated current	2A	4A	Solid (AWG/mm ²)	28~16	0.5~1.5	Flexible (AWG/mm ²)	28~16	0.5~1.5	Rated impulse voltage	4KV		Screw	8~9mm		Number of Positions			0191-02XX	02~20P		0191-02XXC	02~20P		0191-12XXTH	02~20P										
Technical Data	UL	IEC																																								
Rated voltage	300V	320V																																								
Rated current	2A	4A																																								
Solid (AWG/mm ²)	28~16	0.5~1.5																																								
Flexible (AWG/mm ²)	28~16	0.5~1.5																																								
Rated impulse voltage	4KV																																									
Screw	8~9mm																																									
Number of Positions																																										
0191-02XX	02~20P																																									
0191-02XXC	02~20P																																									
0191-12XXTH	02~20P																																									
5.00mm		0191-04XX	0191-04XXC	0191-12XXTH																																						
<table border="1"> <tr><th>Technical Data</th><th>UL</th><th>IEC</th></tr> <tr><td>Rated voltage</td><td>300V</td><td>320V</td></tr> <tr><td>Rated current</td><td>5A</td><td>5A</td></tr> <tr><td>Solid (AWG/mm²)</td><td>24~16</td><td>0.5~1.5</td></tr> <tr><td>Flexible (AWG/mm²)</td><td>24~16</td><td>0.5~1.5</td></tr> <tr><td>Rated impulse voltage</td><td colspan="2">4KV</td></tr> <tr><td>Wire strip length</td><td colspan="2">8mm</td></tr> <tr><th colspan="3">Number of Positions</th></tr> <tr><td>0191-04XX</td><td colspan="2">02~20P</td></tr> <tr><td>0191-04XXC</td><td colspan="2">02~20P</td></tr> <tr><td>0191-12XXTH</td><td colspan="2">02~20P</td></tr> </table> <p>*UL=5A Pin strip:0191-12XXTH Various pin lengths available</p>	Technical Data	UL	IEC	Rated voltage	300V	320V	Rated current	5A	5A	Solid (AWG/mm ²)	24~16	0.5~1.5	Flexible (AWG/mm ²)	24~16	0.5~1.5	Rated impulse voltage	4KV		Wire strip length	8mm		Number of Positions			0191-04XX	02~20P		0191-04XXC	02~20P		0191-12XXTH	02~20P										
Technical Data	UL	IEC																																								
Rated voltage	300V	320V																																								
Rated current	5A	5A																																								
Solid (AWG/mm ²)	24~16	0.5~1.5																																								
Flexible (AWG/mm ²)	24~16	0.5~1.5																																								
Rated impulse voltage	4KV																																									
Wire strip length	8mm																																									
Number of Positions																																										
0191-04XX	02~20P																																									
0191-04XXC	02~20P																																									
0191-12XXTH	02~20P																																									
5.00mm		ED130F-XXP	EDH130F-XX/12.6	EDH130F-XXTH126																																						
<table border="1"> <tr><th>Technical Data</th><th>UL</th><th>IEC</th></tr> <tr><td>Rated voltage</td><td>300V</td><td>320V</td></tr> <tr><td>Rated current</td><td>7A</td><td>10A</td></tr> <tr><td>Solid (AWG/mm²)</td><td>22~14</td><td>0.5~1.5</td></tr> <tr><td>Flexible (AWG/mm²)</td><td>22~14</td><td>0.5~1.5</td></tr> <tr><td>Rated impulse voltage</td><td colspan="2">4KV</td></tr> <tr><td>Torque (N-m)</td><td colspan="2">0.3~0.4</td></tr> <tr><td>Screw</td><td colspan="2">M2.5</td></tr> <tr><td>Wire strip length</td><td colspan="2">5~6mm</td></tr> <tr><th colspan="3">Number of Positions</th></tr> <tr><td>ED130F-XXP</td><td colspan="2">02~20P</td></tr> <tr><td>EDH130F-XX/12.6</td><td colspan="2">02~24P</td></tr> <tr><td>EDH130F-XXTH126</td><td colspan="2">02~20P</td></tr> </table>	Technical Data	UL	IEC	Rated voltage	300V	320V	Rated current	7A	10A	Solid (AWG/mm ²)	22~14	0.5~1.5	Flexible (AWG/mm ²)	22~14	0.5~1.5	Rated impulse voltage	4KV		Torque (N-m)	0.3~0.4		Screw	M2.5		Wire strip length	5~6mm		Number of Positions			ED130F-XXP	02~20P		EDH130F-XX/12.6	02~24P		EDH130F-XXTH126	02~20P				
Technical Data	UL	IEC																																								
Rated voltage	300V	320V																																								
Rated current	7A	10A																																								
Solid (AWG/mm ²)	22~14	0.5~1.5																																								
Flexible (AWG/mm ²)	22~14	0.5~1.5																																								
Rated impulse voltage	4KV																																									
Torque (N-m)	0.3~0.4																																									
Screw	M2.5																																									
Wire strip length	5~6mm																																									
Number of Positions																																										
ED130F-XXP	02~20P																																									
EDH130F-XX/12.6	02~24P																																									
EDH130F-XXTH126	02~20P																																									
5.00mm		ED130R-XXP	EDH130-21XX	EDH130-21XXTHT																																						
<table border="1"> <tr><th>Technical Data</th><th>UL</th><th>IEC</th></tr> <tr><td>Rated voltage</td><td>300V</td><td>320V</td></tr> <tr><td>Rated current</td><td>12A</td><td>10A</td></tr> <tr><td>Solid (AWG/mm²)</td><td>22~14</td><td>0.5~1.5</td></tr> <tr><td>Flexible (AWG/mm²)</td><td>22~14</td><td>0.5~1.5</td></tr> <tr><td>Rated impulse voltage</td><td colspan="2">4KV</td></tr> <tr><td>Torque (N-m)</td><td colspan="2">0.3</td></tr> <tr><td>Screw</td><td colspan="2">M2.5</td></tr> <tr><td>Wire strip length</td><td colspan="2">5~6mm</td></tr> <tr><th colspan="3">Number of Positions</th></tr> <tr><td>ED130R-XXP</td><td colspan="2">02~20P</td></tr> <tr><td>EDH130-21XX</td><td colspan="2">02~20P</td></tr> <tr><td>EDH130-21XXTHT</td><td colspan="2">02~20P</td></tr> </table>	Technical Data	UL	IEC	Rated voltage	300V	320V	Rated current	12A	10A	Solid (AWG/mm ²)	22~14	0.5~1.5	Flexible (AWG/mm ²)	22~14	0.5~1.5	Rated impulse voltage	4KV		Torque (N-m)	0.3		Screw	M2.5		Wire strip length	5~6mm		Number of Positions			ED130R-XXP	02~20P		EDH130-21XX	02~20P		EDH130-21XXTHT	02~20P				
Technical Data	UL	IEC																																								
Rated voltage	300V	320V																																								
Rated current	12A	10A																																								
Solid (AWG/mm ²)	22~14	0.5~1.5																																								
Flexible (AWG/mm ²)	22~14	0.5~1.5																																								
Rated impulse voltage	4KV																																									
Torque (N-m)	0.3																																									
Screw	M2.5																																									
Wire strip length	5~6mm																																									
Number of Positions																																										
ED130R-XXP	02~20P																																									
EDH130-21XX	02~20P																																									
EDH130-21XXTHT	02~20P																																									

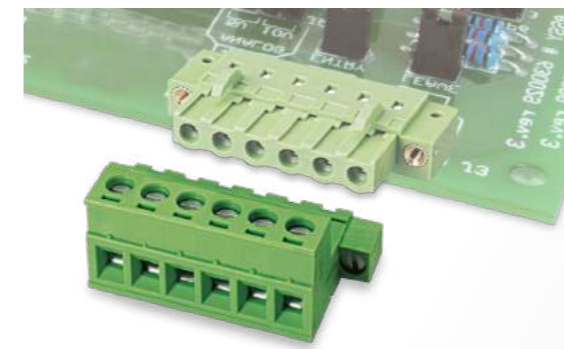
4.00mm		0162-01XX	0162-A1XX	0162-11XX
Technical Data	UL	IEC		
Rated voltage	300V	320V		
Rated current	10A	17.5A		
Solid (AWG/mm ²)	24~14	0.2~2.5		
Flexible (AWG/mm ²)	24~14	0.2~2.5		
Rated impulse voltage		4KV		
Torque (N·m)		0.45		
Screw		M2.5		
Wire strip length		6~7mm		
Number of Positions				
0162-01XX		02~24P		
0162-11XX		02~24P		
0162-A1XX		02~24P		
· Socket: 0162-11XX				

4.00mm		0162-06XX	0162-A6XX
Technical Data	UL	IEC	
Rated voltage	300V	320V	
Rated current	10A	10A	
Solid (AWG/mm ²)	24~14	0.2~1.5	
Flexible (AWG/mm ²)	24~14	0.2~1.5	
Rated impulse voltage		4KV	
Wire strip length		10~11mm	
Number of Positions			
0162-06XX		02~24P	
0162-A6XX		02~24P	
· Socket: 0162-11XX			

5.08mm		0164-01XX 0164-01XX(T)	0164-A1XX 0164-A1XX(T)	0164-11XX (0164-11XXL)
Technical Data	UL	IEC		
Rated voltage	300V	320V		
Rated current	10A	15A		
Solid (AWG/mm ²)	26~12	0.2~2.5		
Flexible (AWG/mm ²)	26~12	0.2~2.5		
Rated impulse voltage		4KV		
Torque (N·m)		0.5~0.6		
Screw		M3/M2.5		
Wire strip length		6~7mm		
Number of Positions				
0164-01XX		02~24P		
0164-01XX(T)		02~24P		
0164-11XX		02~24P		
0164-11XX(L)		02~24P		
0164-A1XX		02~24P		
0164-A1XX(T)		02~24P		
0164-02XX		02~24P		
0164-12XX		02~24P		
0164-A2XX		02~24P		
· Socket: 0164-11XX, 0164-12XX				

5.08mm		0164-02XX	0164-A2XX	0164-12XX
Technical Data	UL	IEC		
Rated voltage	300V	320V		
Rated current	10A	15A		
Solid (AWG/mm ²)	26~12	0.2~2.5		
Flexible (AWG/mm ²)	26~12	0.2~2.5		
Rated impulse voltage		4KV		
Torque (N·m)		0.5~0.6		
Screw		M3/M2.5		
Wire strip length		6~7mm		
Number of Positions				
0164-02XX		02~24P		
0164-A2XX		02~24P		
0164-12XX		02~24P		

Screw connection Inverted Headers



Connection method: screw connection / inverted plugs



Pitch: 3.50mm / 3.81mm / 5.08mm / 10.16mm



UL Rated: 300V / 8A~300V / 51A


IEC Rated: 320V / 8A ~ 1000V / 76A


Inverted connectors and its mating parts provide PCB-to-PCB and wire-to-wire connections. It is ideal for applications that require power to be drawn from the PCB. To enhance the insertion and extraction force of the connector, it is equipped with screw flanges, which can be securely locked to the connector. Screw flanges can also be used as panel feedthroughs on the header side, providing additional stability within the unit. These connectors have been certified by UL1059


3.50mm		EC350CV-XXP	EC350CR-XXP	Socket
Technical Data	UL	IEC		
Rated voltage	300V	320V		
Rated current	8A	8A		
Rated impulse voltage		2.5KV		
Number of Positions				
EC350CV-XXP		02~16P		
EC350CR-XXP		02~16P		
Please refer to the related page number for the compatible headers.				
5.08mm		2ESDCV-XXP	2ESDCR-XXP	Socket
Technical Data	UL	IEC		
Rated voltage	300V	630V		
Rated current	15A/12A	12A		
Rated impulse voltage		4KV		
Number of Positions				
2ESDCV-XXP		02~24P		
2ESDCR-XXP		02~24P		
2ESDCVM-XXP		02~20P		
2ESDCRM-XXP		02~20P		
Please refer to the related page number for the compatible headers.				
5.08mm		2ESDCVM-XXP	2ESDCRM-XXP	Socket
Technical Data	UL	IEC		
Rated voltage	300V	630V		
Rated current	15A/12A	12A		
Rated impulse voltage		4KV		
Number of Positions				
2ESDCVM-XXP		02~20P		
2ESDCRM-XXP		02~20P		
Please refer to the related page number for the compatible headers.				


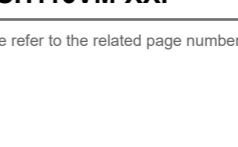
3.81mm			EC381CV-XXP		EC381CR-XXP		Socket	
Technical Data	UL	IEC						
Rated voltage	300V	320V					ECH381V-XXP P71	
Rated current	8A	12A					ECH381R-XXP P71	
Rated impulse voltage		2.5KV					Please refer to the related page number for the compatible headers.	
Wire strip length	7~8mm							
Number of Positions								
EC381CV-XXP	02~16P							
EC381CR-XXP	02~16P							



3.81mm			EC381V-XXP		EC381R-XXP		Socket	
Technical Data	UL	IEC						
Rated voltage	300V	320V					For EC381V-XXP	
Rated current	8A	12A					EC381CV-XXP P48	
Solid (AWG/mm ²)	30~14	0.2~1.5					EC381CR-XXP P48	
Flexible (AWG/mm ²)	30~14	0.2~1.5					EC381V-XXP P51	
Rated impulse voltage		2.5KV					EC381R-XXP P51	
Torque (N-m)	0.2						EC381RL-XXP P51	
Screw	M2						EC381F-XXP P52	
Wire strip length	7mm						For EC381VM-XXP	
Number of Positions								
EC381V-XXP	02~24P						EC381VM-XXP P51	
EC381R-XXP	02~24P						EC381RM-XXP P51	
							EC381RLM-XXP P51	
							EC381FM-XXP P52	
Please refer to the related page number for the compatible headers.								


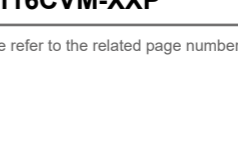
5.08mm			2ESH-XXP		Plug		Socket	
Technical Data	UL	IEC			2ESDCV-XXP P46			
Rated voltage	300V	320V			2ESDCR-XXP P46			
Rated current	15A	12A					Please refer to the related page number for the compatible headers.	
Solid (AWG/mm ²)	24~12	0.5~2.5						
Flexible (AWG/mm ²)	24~12	0.5~2.5						
Rated impulse voltage		2.5KV						
Torque (N-m)	0.6							
Screw	M2.5							
Wire strip length	7mm							
Number of Positions								
2ESH-XXP	02~12P							
2ESHM-XXP	02~12P							
Accessories								
EHDK1	P49							

5.08mm			2ESHM-XXP		Plug		Socket	
Technical Data	UL	IEC			2ESDCVM-XXP P46			
Rated voltage	300V	320V			2ESDCRM-XXP P46			
Rated current	15A	12A					Please refer to the related page number for the compatible headers.	
Solid (AWG/mm ²)	24~12	0.5~2.5						
Flexible (AWG/mm ²)	24~12	0.5~2.5						
Rated impulse voltage		2.5KV						
Torque (N-m)	0.6							
Screw	M2.5							
Wire strip length	7mm							
Number of Positions								
2ESHM-XXP	02~12P							
Accessories								
EHDK1	P49							

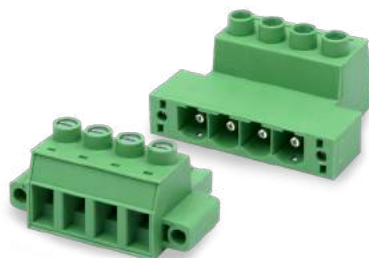
10.16mm			EC116CV-XXP		Socket	
Technical Data	UL	IEC			ECH116V-XXP P67	
Rated voltage	300V	1000V			ECH116R-XXP P67	
Rated current	51A	76A			ECH116L-XXP P67	
Rated impulse voltage		8KV			ECH116HVS-XXP P67	
Number of Positions					ECH116HRS-XXP P67	
EC116CV-XXP	02~10P				Please refer to the related page number for the compatible headers.	
EC116CVM-XXP	02~10P					
Accessories						
ECHK2	P68					

10.16mm			EC116V-XXP		EC116R-XXP		Socket	
Technical Data	UL	IEC						
Rated voltage	600V	1000V					EC381V-XXP P48	
Rated current	51A	76A					EC381R-XXP P48	
Solid (AWG/mm ²)	16~6	0.5~16					EC381V-XXP P51	
Flexible (AWG/mm ²)	16~6	0.5~16					EC381R-XXP P51	
Rated impulse voltage		8KV					EC381RL-XXP P51	
Screw	M4						EC381F-XXP P52	
Wire strip length	14~15mm						For EC381VM-XXP	
Number of Positions								
EC381V-XXP	02~10P						EC381VM-XXP P51	
EC381R-XXP	02~10P						EC381RM-XXP P51	
Accessories							EC381RLM-XXP P51	
ECHK2	P68						EC381FM-XXP P52	
Please refer to the related page number for the compatible headers.								

10.16mm			ECSH116V-XXP		ECSH116K-XXP		Plug	
Technical Data	UL	IEC					EC116CV-XXP P46	
Rated voltage	600V	1000V					Please refer to the related page number for the compatible headers.	
Rated current	51A	76A						
Solid (AWG/mm ²)	16~6	0.5~16						
Flexible (AWG/mm ²)	16~6	0.5~16						
Rated impulse voltage		8KV						
Screw	M4							
Wire strip length	14~15mm							
Number of Positions								
ECSH116V-XXP	02~10P							
ECSH116K-XXP	02~10P							
Accessories								
ECHK2	P68							

10.16mm			ECSH116V-XXP		ECSH116K-XXP		Plug	
Technical Data	UL	IEC					EC116CVM-XXP P46	
Rated voltage	600V	1000V					Please refer to the related page number for the compatible headers.	
Rated current	51A	76A						
Solid (AWG/mm ²)	16~6	0.5~16						
Flexible (AWG/mm ²)	16~6	0.5~16						
Rated impulse voltage		8KV						
Screw	M4							
Wire strip length	14~15mm							
Number of Positions								
ECSH116V-XXP	02~10P							
Accessories								
ECHK2	P68							

Wire-to-Wire Connection




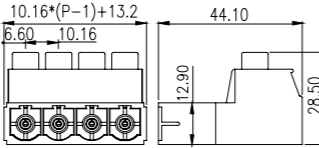


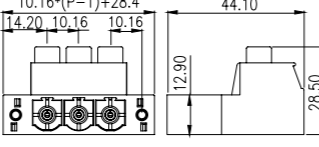


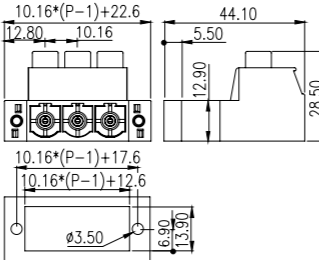


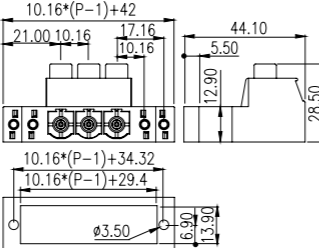

Connection method:
screw connection

Pitch: 10.16mm
UL Rated: 600V / 51A
IEC Rated: 1000V / 76A

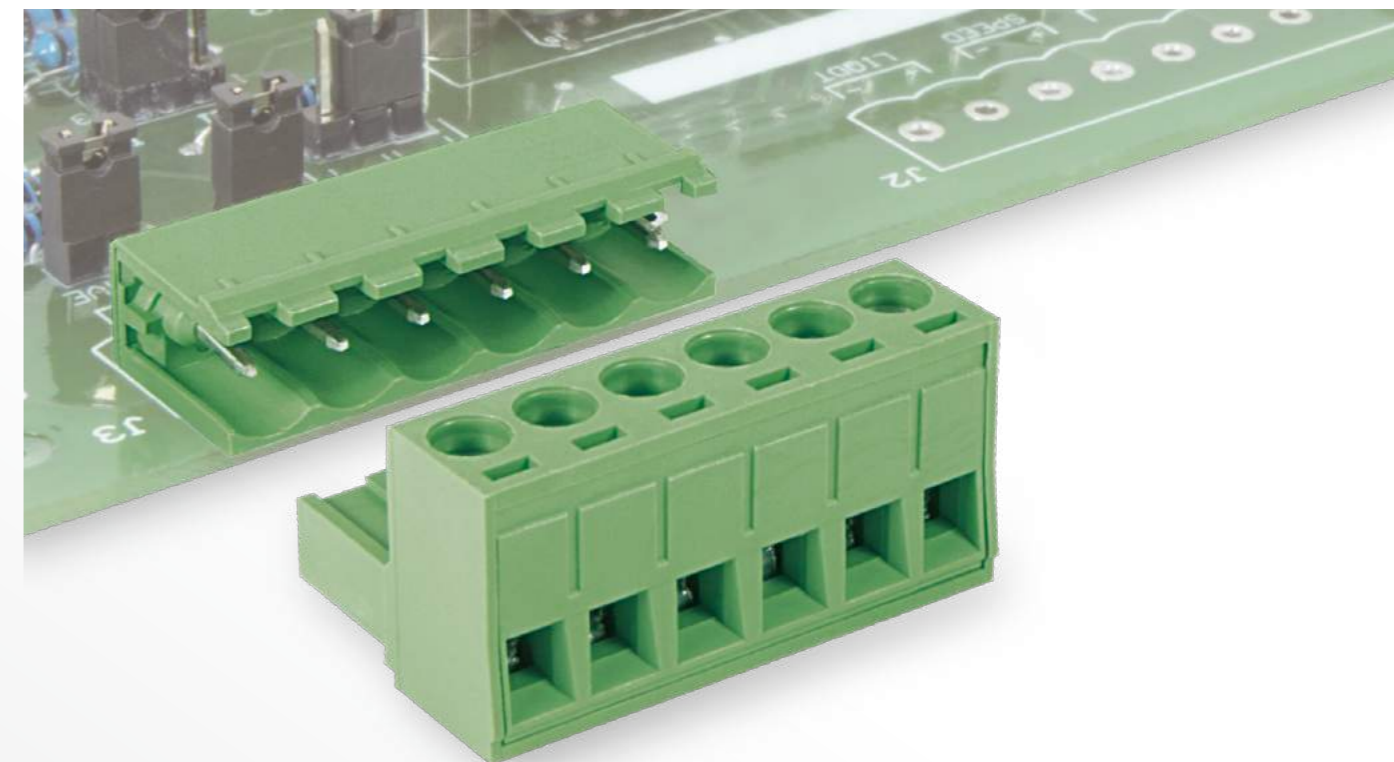
This series of connectors is to connect two or more wires to each other safely and reliably.

In an industrial environment, make two wires be securely connected and easily disconnected. No need to remove and install the wires one by one to achieve the wire connections.

Full range Connectors provide highly reliable and safe industrial wiring solutions and save operating time.

10.16mm			ECSH116V-XXP		Plug	
Technical Data	UL	IEC	 		EC116V-XXP	P67
Rated voltage	600V	1000V			0187-A4-XXP	P34
Rated current	51A	76A			Please refer to the related page number for the compatible headers.	
Rated impulse voltage		8KV				
Torque (N-m)		1.8				
Screw		M4				
Wire strip length		14~15mm				
Number of Positions						
ECSH116V-XXP		02~10P				
ECSH116M-XXP		02~10P				
ECSH116K-XXP		02~10P				
ECSH116MK-XXP		02~10P				
Accessories						
ECHK2		P68				
			ECSH116M-XXP		Plug	
			 		EC116VM-XXP	P67
					Please refer to the related page number for the compatible headers.	
			ECSH116K-XXP		Plug	
			 		EC116V-XXP	P67
					0187-A4XX	P34
					Please refer to the related page number for the compatible headers.	
			ECSH116MK-XXP		Plug	
			 		EC116VM-XXP	P67
					Please refer to the related page number for the compatible headers.	

Screw Connection Plugs



Connection method: Screw connection

Pitch: 3.50mm / 3.81mm / 5.00mm / 5.08mm / 6.35mm /
7.50mm / 7.62mm / 10.16mm
UL Rated: 300V / 8A ~ 600V / 51A
IEC Rated: 320V / 14A ~ 1000V / 76A

- Mating sockets include versions for wave soldering and reflow soldering
- Key codes available for fool-proof
- Rigid structure for excellent durability

The wire cage structure uses a high carbon steel material that undergoes a two-stage heat treatment process which strengthens the steel while maintaining ductility. The screw connection features a large contact surface that is suitable for solid and stranded wires. The wire cage is designed to ensure tight contact point which helps to achieve the low contact resistance and resistance to corrosion.

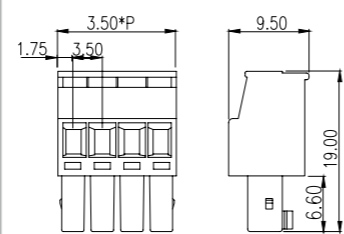
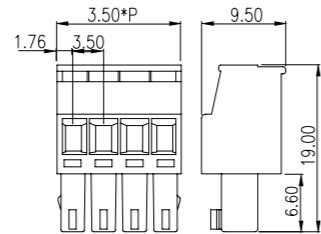
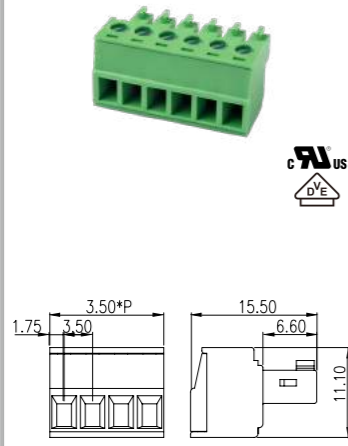
3.50mm

EC350V-XXP

EC350R-XXP

EC350RL-XXP

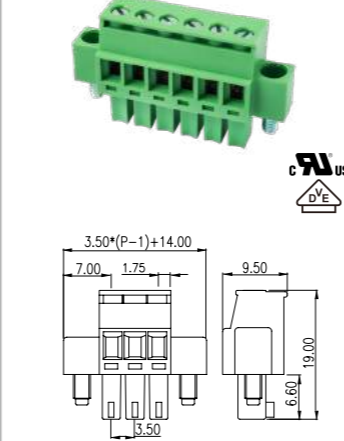
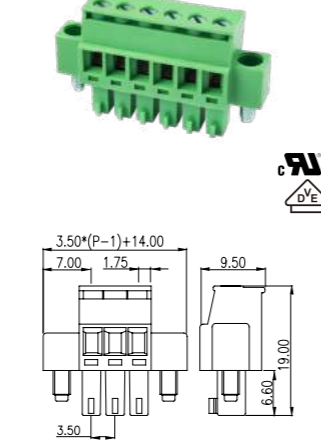
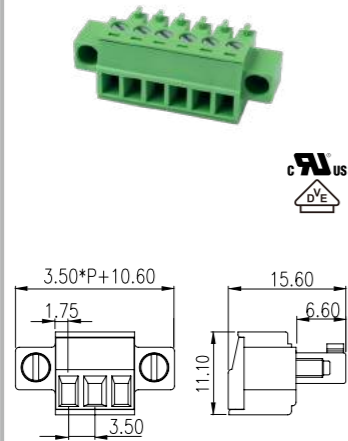
Technical Data	UL	IEC
Rated voltage	300V	320V
Rated current	8A	14A
Solid (AWG/mm ²)	28~14	0.2~1.5
Flexible (AWG/mm ²)	28~14	0.2~1.5
Rated impulse voltage	2.5KV	
Torque (N-m)	0.2~0.25	
Screw	M2	
Wire strip length	6~7mm	
Number of Positions		
EC350V-XXP	02~24P	
EC350R-XXP	02~22P	
EC350RL-XXP	02~22P	
EC350VM-XXP	02~24P	
EC350RM-XXP	02~20P	
EC350RLM-XXP	02~20P	



EC350VM-XXP

EC350RM-XXP

EC350RLM-XXP



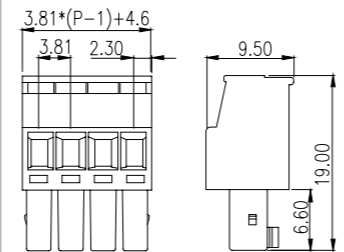
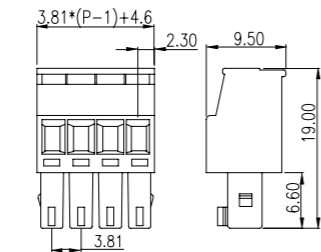
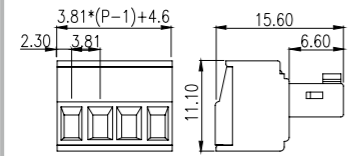
3.81mm

EC381V-XXP

EC381R-XXP

EC381RL-XXP

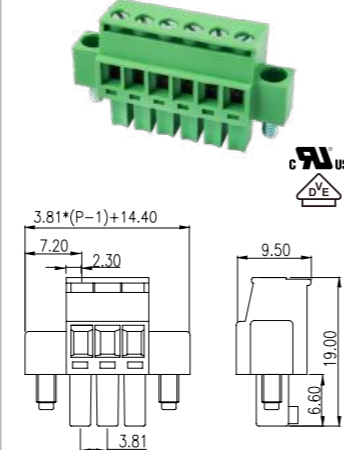
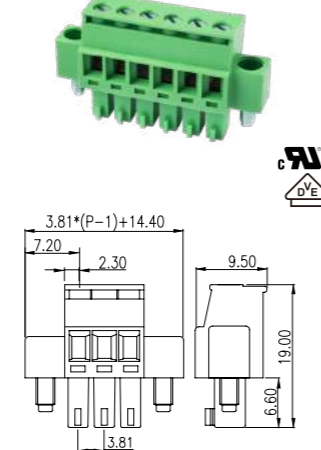
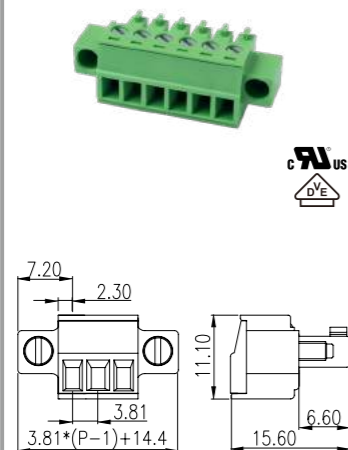
Technical Data	UL	IEC
Rated voltage	300V	320V
Rated current	8A	14A
Solid (AWG/mm ²)	28~14	0.2~1.5
Flexible (AWG/mm ²)	28~14	0.2~1.5
Rated impulse voltage	2.5KV	
Torque (N-m)	0.2~2.5	
Screw	M2	
Wire strip length	6~7mm	
Number of Positions		
EC381V-XXP	02~24P	
EC381R-XXP	02~22P	
EC381RL-XXP	02~22P	
EC381VM-XXP	02~24P	
EC381RM-XXP	02~20P	
EC381RLM-XXP	02~20P	



EC381VM-XXP

EC381RM-XXP

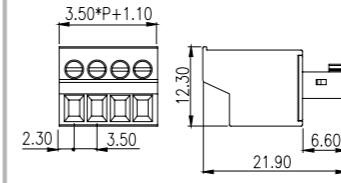
EC381RLM-XXP



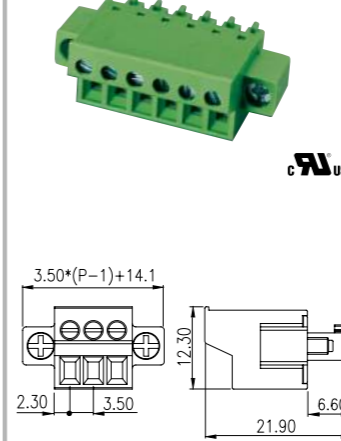
3.50mm

EC350F-XXP

Technical Data	UL	IEC
Rated voltage	300V	320V
Rated current	8A	14A
Solid (AWG/mm ²)	30~14	0.2~1.5
Flexible (AWG/mm ²)	30~14	0.2~1.5
Rated impulse voltage	2KV	2.5KV
Torque (N-m)	0.2~0.25	
Screw	M2	
Wire strip length	8~9mm	
Number of Positions		
EC350F-XXP	02~24P	
EC350FM-XXP	02~24P	



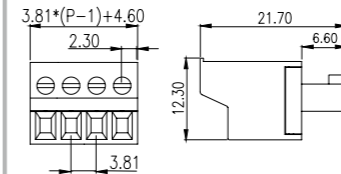
EC350FM-XXP



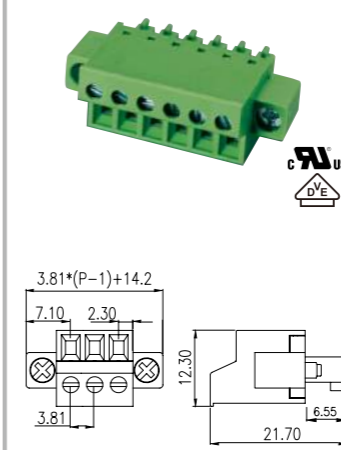
3.81mm

EC381F-XXP

Technical Data	UL	IEC
Rated voltage	300V	320V
Rated current	8A	14A
Solid (AWG/mm ²)	30~14	0.2~1.5
Flexible (AWG/mm ²)	30~14	0.2~1.5
Rated impulse voltage	2.5KV	
Torque (N-m)	0.2~2.5	
Screw	M2	
Wire strip length	7~8mm	
Number of Positions		
EC381F-XXP	02~24P	
EC381FM-XXP	02~20P	



EC381FM-XXP



Socket

ECH350V-XXP	P69	ECH350H-XXP	P70
ECH350V-XXPL	P69	ECH350R-XXP	P69
ECHB350V-XXP	P70	ECH350R-XXPL	P69
EECH350V-XXP	P70	ECHB350R-XXP	P70
ECH350RR-XXP	P69	EECH350R-XXP	P70
ECH350RR-XXPL	P69		

Please refer to the related page number for the compatible headers.

Socket

ECH350VM-XXP	P69	ECH350RM-XXP	P69
ECH350VM-XXPL	P69	ECH350RM-XXPL	P69
ECHB350VM-XXP	P70	ECHB350RM-XXP	P70
EECH350VM-XXP	P70	EECH350RM-XXP	P70
ECH350RRM-XXPL	P69	ECH350RRM-XXP	P69

Please refer to the related page number for the compatible headers.

Socket

ECH381V-XXP	P71	ECH381A-XXP	P72
ECH381V-XXPL	P71	ECH381H-XXP	P72
ECHB381V-XXP	P72	ECH381R-XXP	P71
EECH381V-XXP	P72	ECH381R-XXPL	P71
ECH381RR-XXP	P71	ECHB381R-XXP	P72
ECH381RR-XXPL	P71	EECH381R-XXP	P72

Please refer to the related page number for the compatible headers.


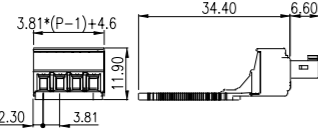
Socket

ECH381VM-XXP	P71	ECH381AM-XXP	P72
ECH381VM-XXPL	P71	ECH381RM-XXP	P71
ECHP381V-XXP	P81	ECH381RM-XXPL	P71
ECHB381VM-XXP	P72	ECHB381RM-XXP	P72
EECH381VM-XXP	P72	EECH381RM-XXP	P72
ECH381RRM-XXPL	P71	ECH381RRM-XXP	P71


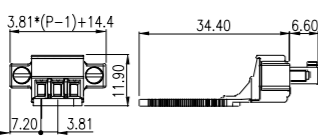
Please refer to the related page number for the compatible headers.

3.81mm EC381L-XXP

Technical Data	UL	IEC
Rated voltage	300V	320V
Rated current	8A	14A
Solid (AWG/mm ²)	28~14	0.2~1.5
Flexible (AWG/mm ²)	28~14	0.2~1.5
Rated impulse voltage	2.5KV	
Torque (N-m)	0.2~0.25	
Screw	M2	
Wire strip length	6~7mm	
Number of Positions		
EC381L-XXP	02~09P	
EC381LM-XXP	02~09P	

3.81mm EC381LM-XXP


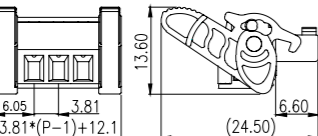



Socket	
ECH381V-XXP	P71
ECH381V-XXPL	P72
ECHB381V-XXP	P72
EECH381V-XXP	P72
ECH381RR-XXP	P71
ECH381RR-XXPL	P71

Please refer to the related page number for the compatible headers.

3.81mm EC381VK-XXP

Technical Data	UL	IEC
Rated voltage	300V	320V
Rated current	8A	14A
Solid (AWG/mm ²)	28~14	0.2~1.5
Flexible (AWG/mm ²)	28~14	0.2~1.5
Rated impulse voltage	2.5KV	
Torque (N-m)	0.2~0.25	
Screw	M2	
Wire strip length	6~7mm	
Number of Positions		
EC381VK-XXP	02~24P	


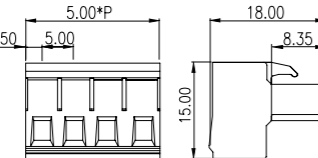



Socket	
ECHB381RRD-XXP	P72


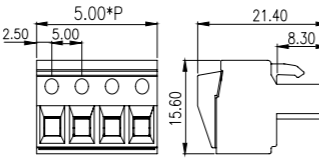
Please refer to the related page number for the compatible headers.

5.00mm 5ESDT-XXP

Technical Data	UL	IEC
Rated voltage	300V	600V
Rated current	15A	18A
Solid (AWG/mm ²)	28~12	0.2~2.5
Flexible (AWG/mm ²)	30~12	0.2~2.5
Rated impulse voltage	4KV	
Torque (N-m)	0.5	
Screw	M2.5	
Wire strip length	7~8mm	
Number of Positions		
5ESDT-XXP	02~24P	
5ESDTS-XXP	02~24P	
Accessories		
ESDK1	P68	
ESDK2	P68	

5.00mm 5ESDTS-XXP


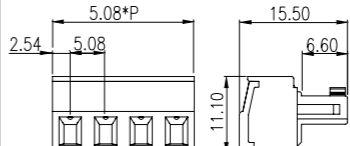



Socket	
5EHDR-XXP	P73
5EHDRC-XXP	P73
5EHDV-XXP	P73
5EHDVC-XXP	P73
5EH-XPL	P113
5EH-XPR	P114
5EHDRR-XXP	P73
5EHDK-XXP	P81


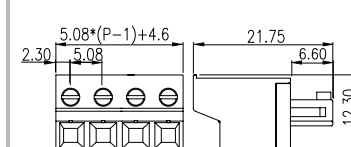
Please refer to the related page number for the compatible headers.

5.08mm EC508V-XXP


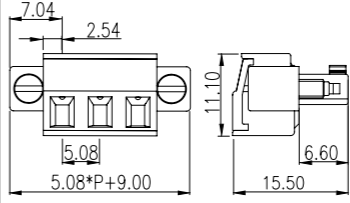
Technical Data	UL	IEC
Rated voltage	300V	630V
Rated current	12A	14A
Solid (AWG/mm ²)		
EC508V-XXP	30~14	0.2~1.5
EC508F-XXP	28~14	0.2~1.5
EC508VM-XXP	30~14	0.2~1.5
EC508FM-XXP	28~14	0.2~1.5
Flexible (AWG/mm ²)		
EC508V-XXP	30~14	0.2~1.5
EC508F-XXP	28~14	0.2~1.5
EC508VM-XXP	30~14	0.2~1.5
EC508FM-XXP	28~14	0.2~1.5
Rated impulse voltage	4KV	
Torque (N-m)	0.2~0.25	
Screw	M2	
Wire strip length	8~9mm	
Number of Positions		
EC508V-XXP	02~24P	
EC508F-XXP	02~24P	
EC508VM-XXP	02~24P	
EC508FM-XXP	02~24P	


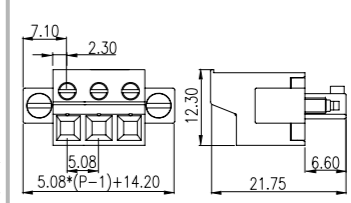
5.08mm EC508F-XXP

5.08mm EC508VM-XXP

5.08mm EC508FM-XXP


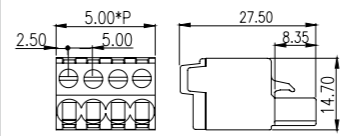



Socket	
ECH508V-XXP	P75
ECH508R-XXP	P75

Please refer to the related page number for the compatible headers.

5.00mm 5ESDF-XXP


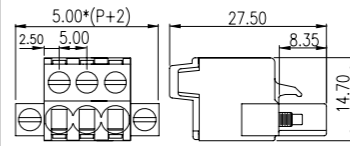
Technical Data	UL	IEC
Rated voltage	300V	600V
Rated current	15A	18A
Solid (AWG/mm ²)	24~12	0.2~4
Flexible (AWG/mm ²)	24~12	0.2~2.5
Rated impulse voltage	4KV	
Torque (N-m)	0.4~0.5	
Screw	M2.5	
Wire strip length	9~10mm	
Number of Positions		
5ESDF-XXP	02~24P	
5ESDFM-XXP	02~24P	
Accessories		
ESDK1	P68	
ESDK2	P68	

Socket	
5EHDV-XXP	P73
5EHDV-XXPL	P73
5EHDVC-XXP	P73
5EHDVC-XXPL	P73
5EHDV-XXP	P74
5EEHDV-XXP	P74
5EHDR-XXP	P73
5EHDR-XXPL	P73
5EHDRC-XXP	P73
5EHDRC-XXPL	P73
5EHDDBR-XXP	P74
5EHDDBR-XXPL	P74
5EHDRC-XXP	P73
5EHDRC-XXPL	P73
5EHDRC-XXP	P73
5EHDRC-XXPL	P73





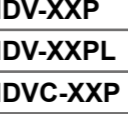
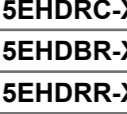






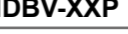

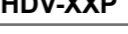



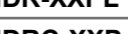
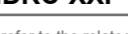
Please refer to the related page number for the compatible headers.

5.00mm 5ESDFM-XXP





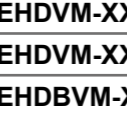
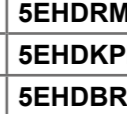








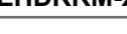



Socket	
5EHDV-XXP	P74
5EHDV-XXPL	P74
5EHDVM-XXP	P74
5EHDVM-XXPL	P74
5EHDRC-XXP	P74
5EHDRC-XXPL	P74
5EHDDBR-XXP	P74
5EHDDBR-XXPL	P74
5EHDRC-XXP	P74
5EHDRC-XXPL	P74
5EHDRC-XXP	P74
5EHDRC-XXPL	P74







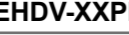












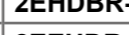
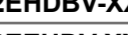

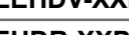




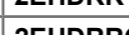


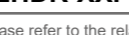
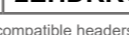
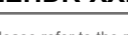

Please refer to the related page number for the compatible headers.

5.00mm			5ESDV-XXP	5ESDA-XXP	5ESDP-XXP	5ESDPL-XXP	Socket			
Technical Data	UL	IEC						P73		P73
Rated voltage	300V	600V						P73		P74
Rated current	15A	18A						P73		P73
Solid (AWG/mm ²)	30~12	0.2~4						P73		P73
Flexible (AWG/mm ²)	30~12	0.2~2.5						P74		P74
Rated impulse voltage		4KV						P74		P73
Torque (N-m)	0.4~0.5							P73		P73
Screw	M2.5							P73		
Wire strip length	7~8mm							P73		
Number of Positions										
5ESDV-XXP		02~24P								
5ESDA-XXP		02~24P								
5ESDP-XXP		02~24P								
5ESDPL-XXP		02~24P								
Accessories										
ESDK1		P68								
ESDK2		P68								





















Please refer to the related page number for the compatible headers.

5.00mm			5ESDVM-XXP	5ESDAM-XXP	5ESDPM-XXP	5ESDPLM-XXP	Socket			
Technical Data	UL	IEC						P74		P74
Rated voltage	300V	600V						P74		P82
Rated current	15A	18A						P74		P74
Solid (AWG/mm ²)	30~12	0.2~4						P74		P74
Flexible (AWG/mm ²)	30~12	0.2~2.5						P74		P74
Rated impulse voltage		4KV						P74		
Torque (N-m)	0.4~0.5									
Screw	M2.5									
Wire strip length	7~8mm									
Number of Positions										
5ESDVM-XXP		02~24P								
5ESDAM-XXP		02~24P								
5ESDPM-XXP		02~24P								
5ESDPLM-XXP		02~24P								
Accessories										
ESDK1		P68								
ESDK2		P68								

Please refer to the related page number for the compatible headers.

5.08mm			2ESDF-XXP	Socket				5.08mm			2ESDVH-XXP	Socket			
Technical Data	UL	IEC			P76		P76	Technical Data	UL	IEC			P76		P76
Rated voltage	300V	600V			P76		P76	Rated voltage	300V	600V			P76		P76
Rated current	15A	18A			P76		P75	Rated current	20A	24A			P76		P75
Solid (AWG/mm ²)	24~12	0.2~4			P76		P75	Solid (AWG/mm ²)	28~12	0.2~4			P76		P75
Flexible (AWG/mm ²)	24~12	0.2~2.5			P77		P77	Flexible (AWG/mm ²)	30~12	0.2~2.5			P76		P75
Rated impulse voltage		4KV			P77		P77	Rated impulse voltage		4KV			P77		P77
Torque (N-m)	0.4~0.5				P76		P76	Torque (N-m)	0.4~0.5				P76		P76
Screw	M2.5				P76		P76	Wire strip length	7~8mm				P76		P76
Wire strip length	9~10mm			Please refer to the related page number for the compatible headers.				Number of Positions							
Number of Positions								2ESDVH-XXP		02~24P					
2ESDF-XXP		02~24P						2ESDVHM-XXP		02~24P					
2ESDFM-XXP		02~24P													

Please refer to the related page number for the compatible headers.

5.08mm			2ESDFM-XXP	Socket				5.08mm			2ESDVHM-XXP	Socket			
Technical Data	UL	IEC			P76		P76	Technical Data	UL	IEC			P76		P76
Rated voltage	300V	600V			P76		P77	Rated voltage	300V	600V			P76		P77
Rated current	15A	18A			P77		P77	Rated current	20A	24A			P77		P77
Solid (AWG/mm ²)	24~12	0.2~4			P77		P76	Solid (AWG/mm ²)	28~12	0.2~4			P77		P76
Flexible (AWG/mm ²)	24~12	0.2~2.5			P76			Flexible (AWG/mm ²)	30~12	0.2~2.5			P76		
Rated impulse voltage		4KV		Please refer to the related page number for the compatible headers.				Number of Positions							
Torque (N-m)	0.4~0.5							2ESDVHM-XXP		02~24P					
Screw	M2.5														
Wire strip length	9~10mm														
Number of Positions															
2ESDFM-XXP		02~24P													

Please refer to the related page number for the compatible headers.

5.08mm		
Technical Data	UL	IEC
Rated voltage	300V	600V
Rated current	15A	18A
Solid (AWG/mm ²)	28~12	0.2~4
Flexible (AWG/mm ²)	30~12	0.2~2.5
Rated impulse voltage	4KV	
Torque (N-m)	0.4~0.5	
Screw	M2.5	
Wire strip length	7~8mm	
Number of Positions		
2ESDV-XXP	02~24P	
2ESDA-XXP	02~24P	
2ESDP-XXP	02~26P	
2ESDPL-XXP	02~26P	
2ESDL-XXP	03~16P	
2ESDVM-XXP	02~24P	
2ESDAM-XXP	02~24P	
2ESDPM-XXP	02~24P	
2ESDPLM-XXP	02~24P	
2ESDVNM-XXP	02~24P	
Accessories		
ESDK1	P68	
ESDK2	P68	

2ESDV-XXP

2ESDA-XXP

2ESDP-XXP

2ESDPL-XXP

2ESDL-XXP

Socket			
2EHDV-XXP	P77	2EHDRC-XXP	P77
2EHDV-XXPL	P77	2EHDRC-XXPL	P77
2EHDVC-XXP	P77	2EHDA-XXP	P76
2EHDVC-XXPL	P77	2EHDAC-XXP	P76
2EHDVBV-XXP	P78	2EHDBR-XXP	P78
2EEHDV-XXP	P78	2EEHDR-XXP	P78
2EHDR-XXP	P77	2EHDRR-XXPL	P77
2EHDR-XXPL	P77	2EHDRRC-XXPL	P77

Please refer to the related page number for the compatible headers.

2ESDVM-XXP

2ESDAM-XXP

2ESDPM-XXP

2ESDPLM-XXP

2ESDVNM-XXP

2ESDVNM-XXP

Socket			
2EHDVM-XXP	P77	2EHDVM-XXPL	P77
2EHDVM-XXPL	P77	2EHDBRM-XXP	P78
2EHDBVM-XXP	P78	2EEHDRM-XXP	P78
2EEHDVM-XXP	P78	2EHDRRM-XXPL	P77
2EHDRM-XXP	P77		

Please refer to the related page number for the compatible headers.

5.08mm		
Technical Data	UL	IEC
Rated voltage	300V	630V
Rated current	15A	18A
Solid (AWG/mm ²)	28~12	0.2~4
Flexible (AWG/mm ²)	30~12	0.2~2.5
Rated impulse voltage	4KV	
Torque (N-m)	0.4~0.6	
Screw	M2.5	
Wire strip length	7~8mm	
Number of Positions		
2ESDVS-XXP	03P	

2ESDVS-XXP

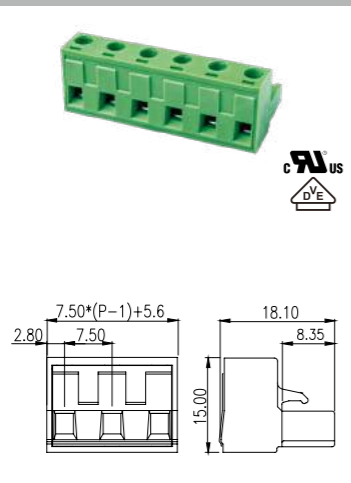
Socket			
2EHDA-XXP	P75	2EHDV-XXP	P76
2EHDAC-XXP	P75	2EHDVC-XXP	P76
2EHDR-XXP	P76	2EHDV-XXPL	P76
2EHDRC-XXP	P76	2EHDVC-XXPL	P76
2EHDR-XXPL	P76	2EHDRR-XXPL	P76
2EHDRC-XXPL	P76	2EHDRRC-XXPL	P76

Please refer to the related page number for the compatible headers.

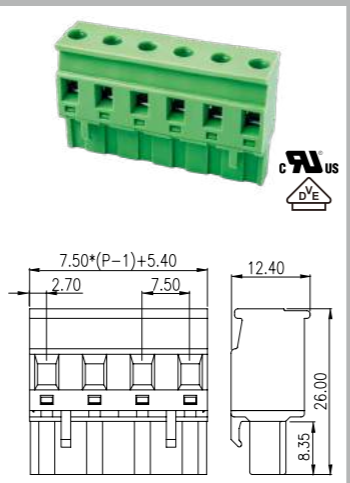
7.50mm

Technical Data	UL	IEC
Rated voltage	300V	800V
Rated current	15A	18A
Solid (AWG/mm ²)	28~12	0.2~4
Flexible (AWG/mm ²)	30~12	0.2~2.5
Rated impulse voltage		6KV
Torque (N·m)	0.4~0.5	
Screw	M2.5	
Wire strip length	7~8mm	
Number of Positions		
7ESDV-XXP	02~12P	
7ESDP-XXP	02~11P	
7ESDPL-XXP	02~11P	
7ESDVM-XXP	02~12P	
7ESDPM-XXP	02~11P	
7ESDPLM-XXP	02~11P	
Accessories		
ESDK1	P68	
ESDK2	P68	

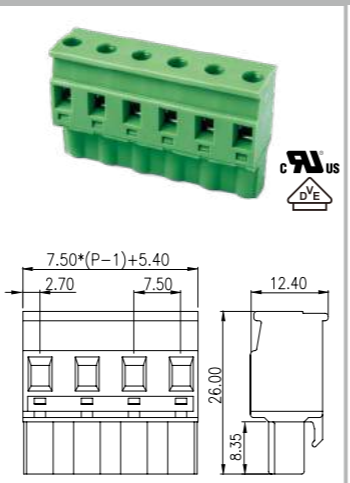
7ESDV-XXP



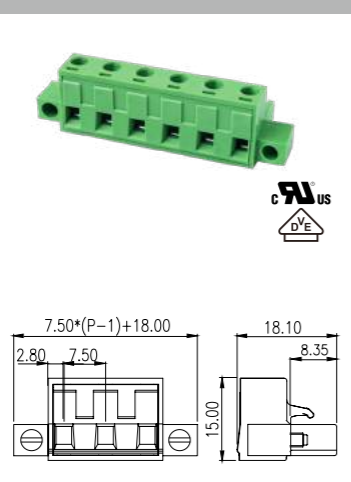
7ESDP-XXP



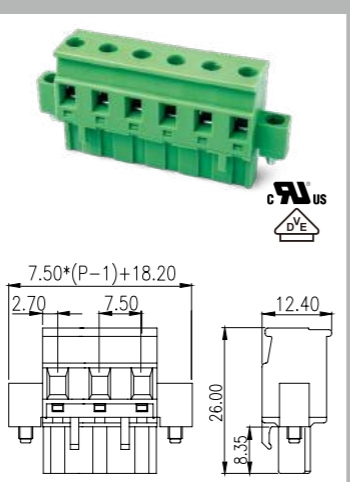
7ESDPL-XXP



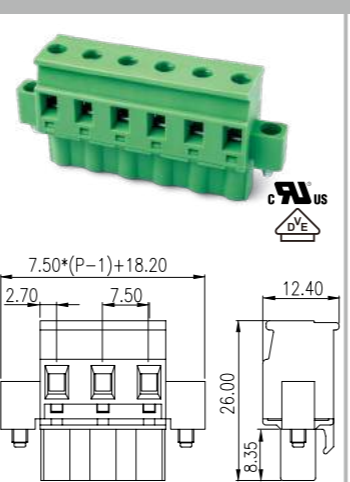
7ESDVM-XXP



7ESDPM-XXP



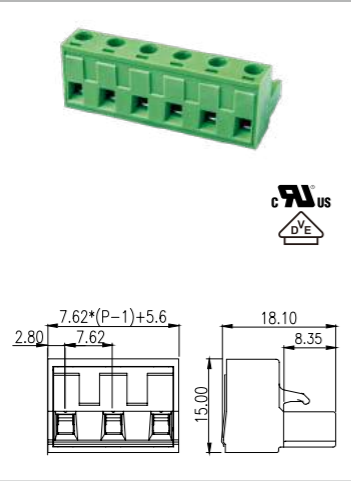
7ESDPLM-XXP



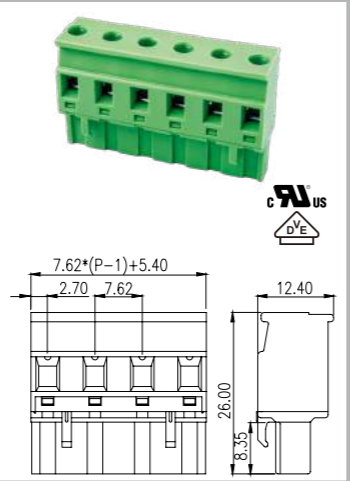
7.62mm

Technical Data	UL	IEC
Rated voltage	300V	800V
Rated current	15A	18A
Solid (AWG/mm ²)		
3ESDV-XXP	28~12	0.2~4
3ESDP-XXP	28~12	0.2~4
3ESDVM-XXP	28~12	0.2~4
3ESDPM-XXP	28~12	0.2~4
Flexible (AWG/mm ²)	30~12	0.2~2.5
Rated impulse voltage		6KV
Torque (N·m)	0.4~0.5	
Screw	M2.5	
Wire strip length	7~8mm	
Number of Positions		
3ESDV-XXP	02~12P	
3ESDP-XXP	02~12P	
3ESDPL-XXP	02~12P	
3ESDVM-XXP	02~14P	
3ESDPM-XXP	02~12P	
3ESDPLM-XXP	02~12P	
3ESDVNM-XXP	02~12P	
Accessories		
ESDK1	P68	
ESDK2	P68	

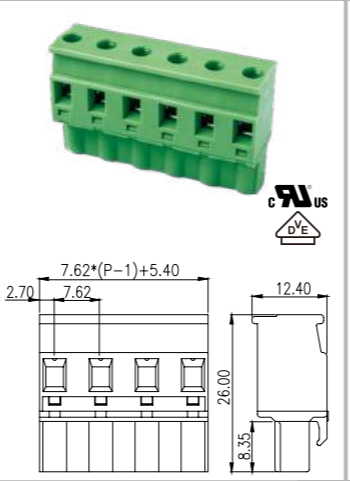
3ESDV-XXP



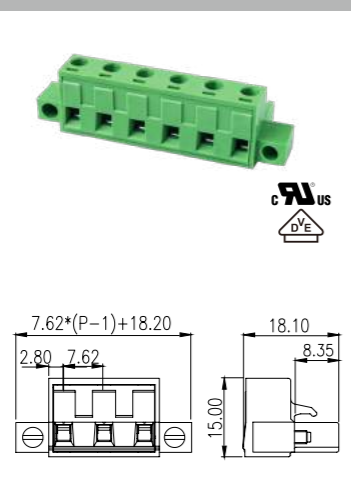
3ESDP-XXP



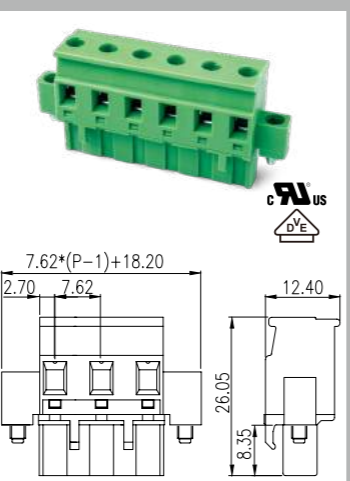
3ESDPL-XXP



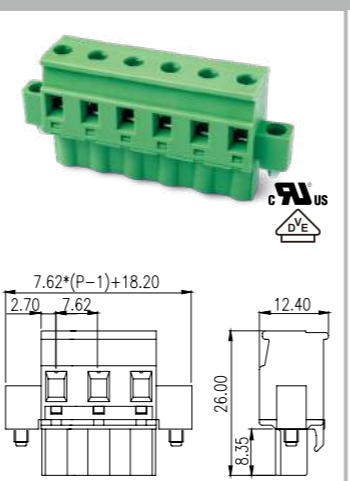
3ESDVM-XXP



3ESDPM-XXP



3ESDPLM-XXP



Socket

7EHDV-XXP	P78
7EHDVC-XXP	P78
7EHDR-XXP	P78
7EHDRC-XXP	P78

Please refer to the related page number for the compatible headers.

Socket

7EHDVM-XXP	P78
7EHDRM-XXP	P78

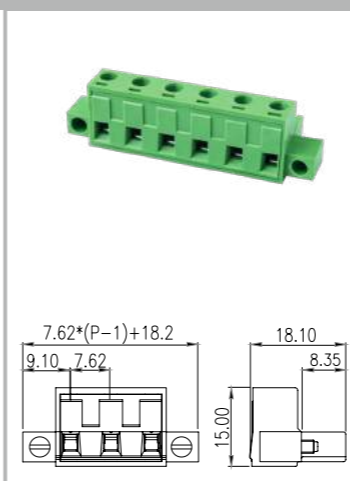
Please refer to the related page number for the compatible headers.

Socket

3EHDV-XXP	P78
3EHDVC-XXP	P78
3EHDR-XXP	P78
3EHDRC-XXP	P78

Please refer to the related page number for the compatible headers.

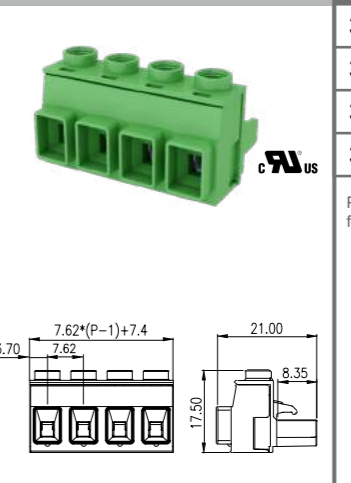
3ESDVNM-XXP



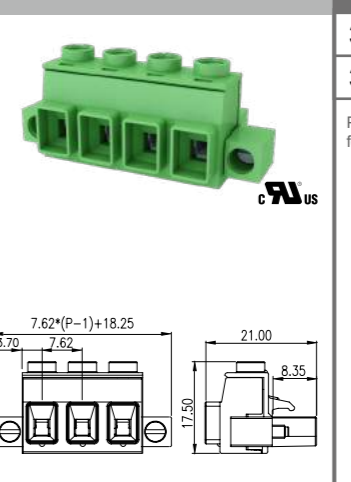
7.62mm

Technical Data	UL	IEC
Rated voltage	600V	1000V
Rated current	20A	16A
Solid (AWG/mm ²)	28~12	0.2~2.5
Flexible (AWG/mm ²)	30~12	0.2~2.5
Rated impulse voltage		8KV
Torque (N·m)	0.5	
Screw	M2.5	
Wire strip length	7~8mm	
Number of Positions		
3ESDVH-XXP	02~12P	
3ESDVHM-XXP	02~12P	

3ESDVH-XXP



3ESDVHM-XXP



Socket

3EHDVM-XXP	P78
3EHDRM-XXP	P78

Please refer to the related page number for the compatible headers.

Socket

3EHDV-XXP	P78
3EHDVC-XXP	P78
3EHDR-XXP	P78
3EHDRC-XXP	P78

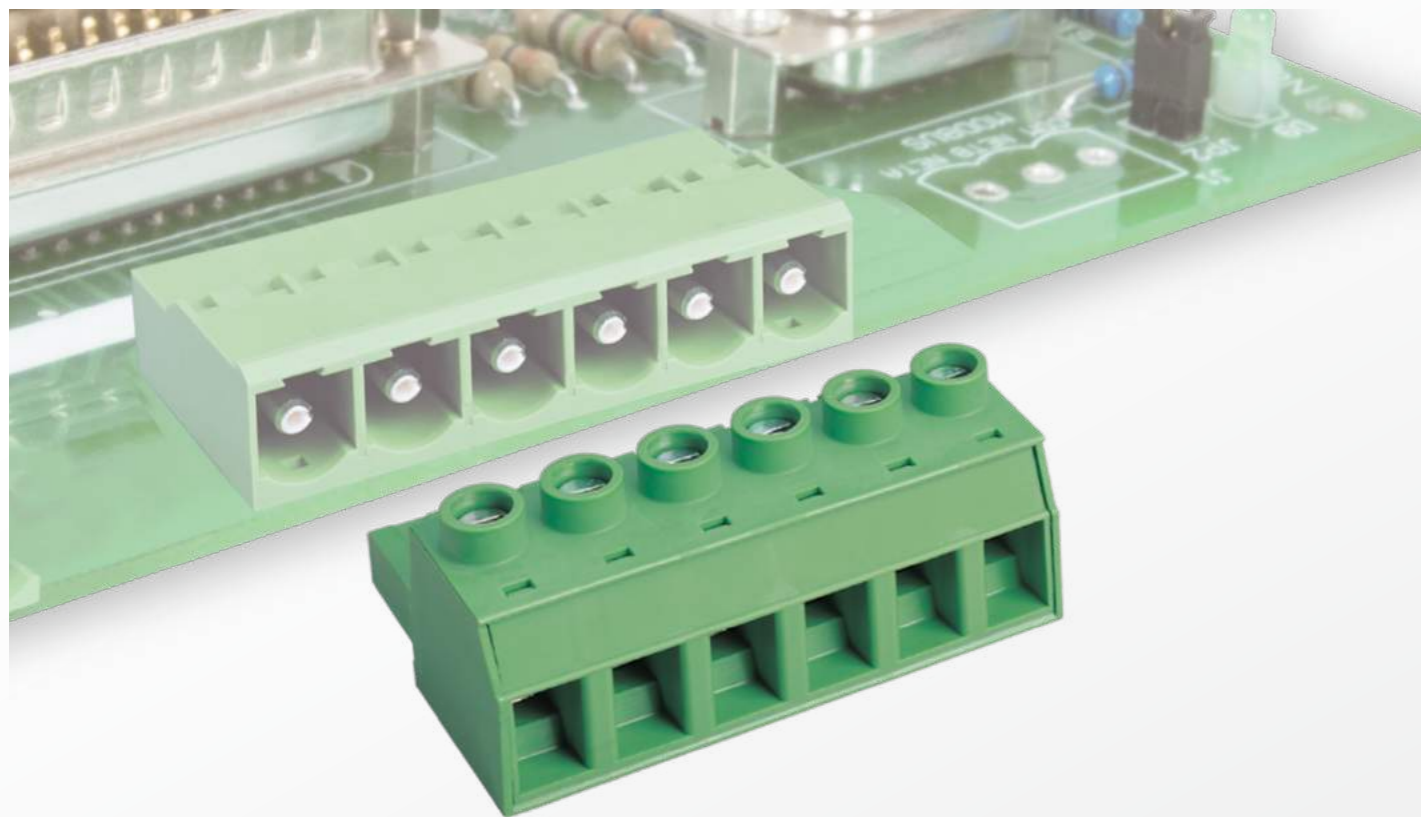
Please refer to the related page number for the compatible headers.

Socket

3EHDVM-XXP	P78
3EHDRM-XXP	P78

Please refer to the related page number for the compatible headers.

Screw Connection Plugs - High Power Application



Connection method: Screw connection

Pitch: 7.62mm / 10.16mm

UL Rated: 600V / 15A ~ 600V / 51A

IEC Rated: 320V / 24A ~ 1000V / 76A

- 3ESNP series plug has a voltage capacity of 600V and current capacity up to 18A in a compact structure, and can be used with standard 3EHD series socket
- EC762 series has a high current capacity up to 40A UL rating, and adopts M3 screw with connection up to 4mm² stranded wire
- 02~06P are available in horizontal design
- EC116V series plug has a current capacity of 51A UL rating and 75A IEC rating

The socket versions include vertical and horizontal plug-in direction to the PCB and an inverted version is available where solder-in direction is rotated by 180°.





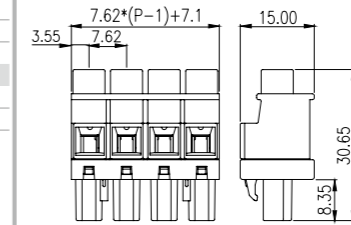
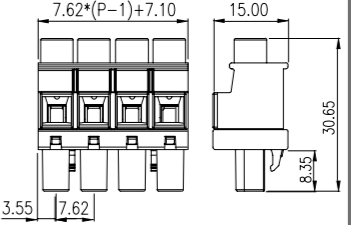


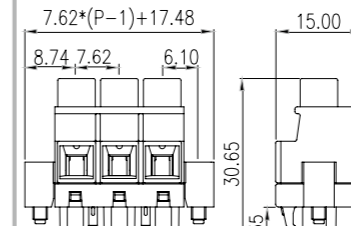
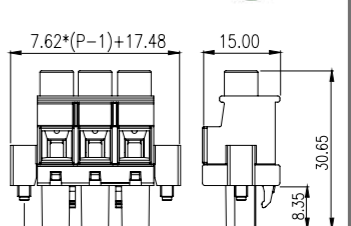

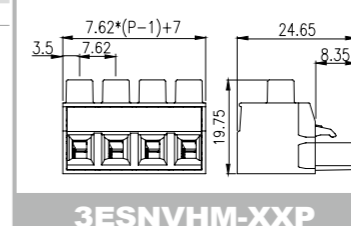

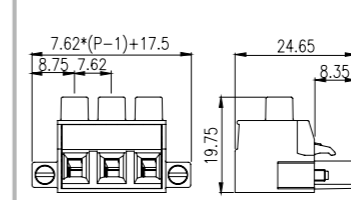
3ESNP series



EC762 series



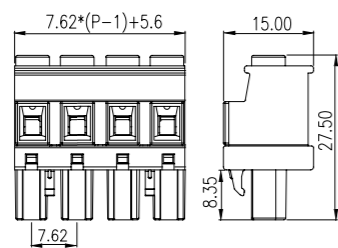
EC116V series

7.62mm		3ESNPH-XXP	3ESNPHL-XXP	Socket	
Technical Data	UL	IEC			3EHDV-XXP P78
Rated voltage	600V	1000V			3EHDVC-XXP P78
Rated current	18A	24A			3EHDR-XXP P78
Solid (AWG/mm ²)	28~10	0.2~4			3EHDRC-XXP P78
Flexible (AWG/mm ²)	28~10	0.2~4			Please refer to the related page number for the compatible headers.
Rated impulse voltage		8KV			
Torque (N·m)	0.5~0.6				
Screw	M3				
Wire strip length	7~8mm				
Number of Positions					
3ESNPHL-XXP	02~12P				
3ESNPH-XXP	02~12P				
3ESNPHM-XXP	02~12P				
3ESNPMLM-XXP	02~12P				
Accessories					
ESDK1	P68				
ESDK2	P68				
					
7.62mm		3ESNPVM-XXP	3ESNPVHM-XXP	Socket	
Technical Data	UL	IEC			3EHDVM-XXP P78
Rated voltage	600V	1000V			3EHDRM-XXP P78
Rated current	25A	24A			Please refer to the related page number for the compatible headers.
Solid (AWG/mm ²)	28~10	0.2~4			
Flexible (AWG/mm ²)	28~10	0.2~4			
Rated impulse voltage		8KV			
Torque (N·m)	0.5~0.6				
Screw	M3				
Wire strip length	7~8mm				
Number of Positions					
3ESNPVM-XXP	02~12P				
3ESNPVHM-XXP	02~12P				
Accessories					
ESDK1	P68				
					
7.62mm		3ESNVH-XXP	Socket		
Technical Data	UL	IEC		3EHDV-XXP P78	
Rated voltage	600V	1000V		3EHDVC-XXP P78	
Rated current	25A	24A		3EHDR-XXP P78	
Solid (AWG/mm ²)	28~10	0.2~4		3EHDRC-XXP P78	
Flexible (AWG/mm ²)	28~10	0.2~4		Please refer to the related page number for the compatible headers.	
Rated impulse voltage		8KV			
Torque (N·m)	0.5~0.6				
Screw	M3				
Wire strip length	7~8mm				
Number of Positions					
3ESNVH-XXP	02~12P				
3ESNVHM-XXP	02~12P				
Accessories					
ESDK1	P68				
					
7.62mm		3ESNVHM-XXP	Socket		
Technical Data	UL	IEC		3EHDVM-XXP P78	
Rated voltage	600V	1000V		3EHDRM-XXP P78	
Rated current	25A	24A		Please refer to the related page number for the compatible headers.	
Solid (AWG/mm ²)	28~10	0.2~4			
Flexible (AWG/mm ²)	28~10	0.2~4			
Rated impulse voltage		8KV			
Torque (N·m)	0.5~0.6				
Screw	M3				
Wire strip length	7~8mm				
Number of Positions					
3ESNVHM-XXP	02~12P				
Accessories					
ESDK1	P68				
					

7.62mm

Technical Data	UL	IEC
Rated voltage	600V	1000V
Rated current	15A	24A
Solid (AWG/mm ²)	28~12	0.2~2.5
Flexible (AWG/mm ²)	28~12	0.2~2.5
Rated impulse voltage	8KV	
Torque (N-m)	0.4~0.5	
Screw	M2.5	
Wire strip length	7~8mm	
Number of Positions		
3ESNP-XXP	02~12P	
3ESNPL-XXP	02~12P	
3ESNPS-XXP	02~12P	
3ESNPLS-XXP	02~12P	
3ESNPM-XXP	02~12P	
3ESNPLM-XXP	02~12P	
3ESNPSM-XXP	02~12P	
3ESNPLSM-XXP	02~12P	
Accessories		
ESDK1	P68	
ESDK2	P68	

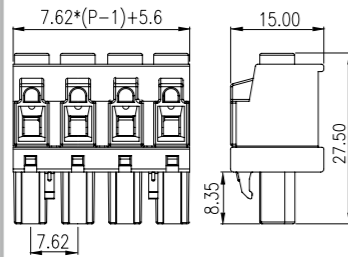
3ESNP-XXP



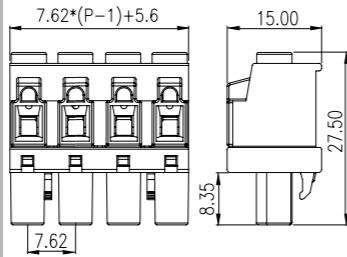
3ESNPL-XXP



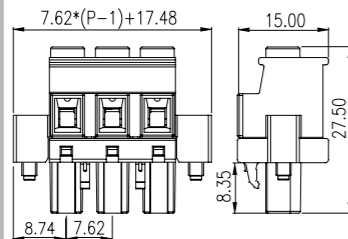
3ESNPS-XXP



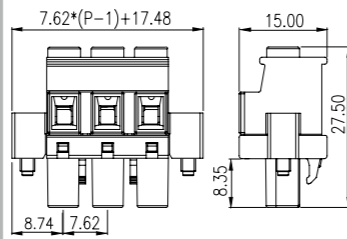
3ESNPLS-XXP



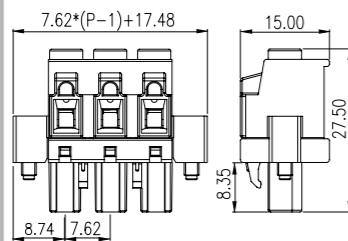
3ESNPM-XXP



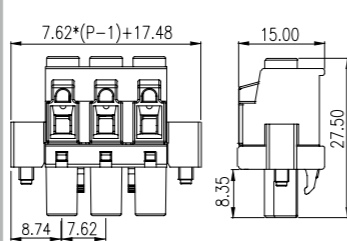
3ESNPLM-XXP



3ESNPSM-XXP



3ESNPLSM-XXP



Socket

3EHDV-XXP	P78
3EHDVC-XXP	P78
3EHDR-XXP	P78
3EHDRC-XXP	P78

Please refer to the related page number for the compatible headers.

Socket

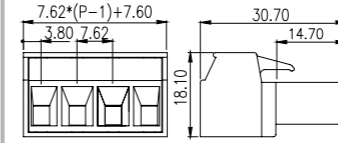
3EHDVM-XXP	P78
3EHDRM-XXP	P78

Please refer to the related page number for the compatible headers.

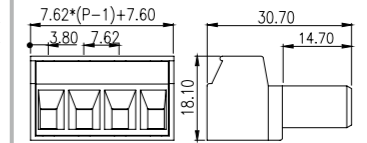
7.62mm

Technical Data	UL	IEC
Rated voltage	300V	1000V
Rated current	30A	32A
Solid (AWG/mm ²)	30~10	0.2~4
Flexible (AWG/mm ²)	30~10	0.2~4
Rated impulse voltage	6KV	
Torque (N-m)	0.5~0.6	
Screw	M3	
Wire strip length	7~8mm	
Number of Positions		
EC762V-XXP	02~12P	
EC762VM-XXP	02~12P	
EC762VN-XXP	02~12P	
EC762VNM-XXP	02~12P	
Accessories		
ECHK2	P68	

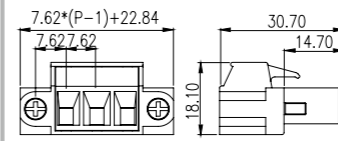
EC762V-XXP



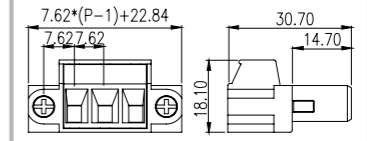
EC762VN-XXP



EC762VM-XXP



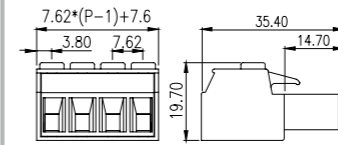
EC762VNM-XXP



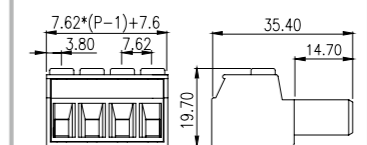
7.62mm

Technical Data	UL	IEC
Rated voltage	600V	1000V
Rated current	40A	41A
Solid (AWG/mm ²)	30~8	0.2~6
Flexible (AWG/mm ²)	30~8	0.2~6
Rated impulse voltage	8KV	
Torque (N-m)	0.5~0.6	
Screw	M3	
Wire strip length	7~8mm	
Number of Positions		
EC762HV-XXP	02~12P	
EC762HVM-XXP	02~12P	
EC762HVN-XXP	02~12P	
EC762HVNM-XXP	02~12P	
Accessories		
ECHK2	P68	

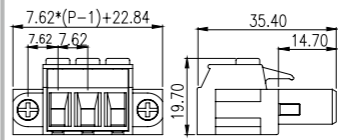
EC762HV-XXP



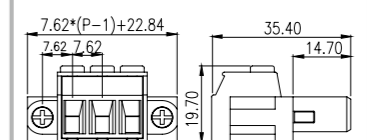
EC762HVN-XXP



EC762HVM-XXP



EC762HVNM-XXP



Socket

ECH762V-XXP	P79
ECH762R-XXP	P79
ECH762RR-XXP	P80
ECH762RRT-XXP	P80
ECH762HR-XXP	P80
ECH762HRR-XXP	P80

Please refer to the related page number for the compatible headers.

Socket

ECH762VM-XXP	P79
ECH762RM-XXP	P79
ECH762RRM-XXP	P80
ECH762RTM-XXP	P79
ECH762VTM-XXP	P79
ECH762HRM-XXP	P80

Please refer to the related page number for the compatible headers.

Socket


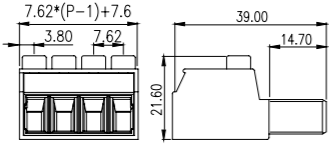

ECH762V-XXP	P79
ECH762R-XXP	P79
ECH762RR-XXP	P80
ECH762RRT-XXP	P80
ECH762HR-XXP	P80
ECH762HRR-XXP	P80


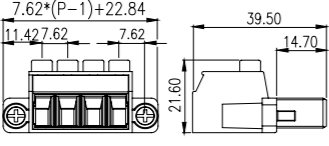

Please refer to the related page number for the compatible headers.


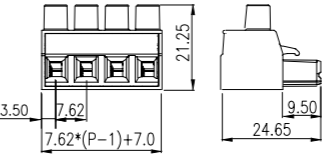


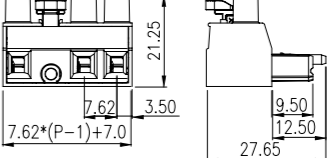

Socket


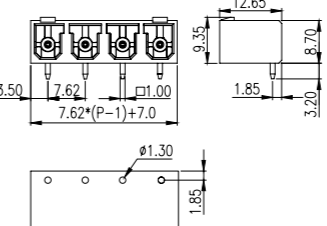


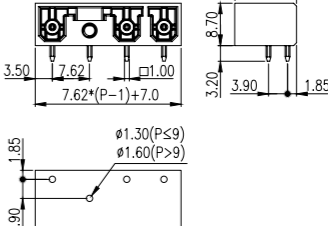

ECH762VM-XXP	P79
ECH762RM-XXP	P79
ECH762RRM-XXP	P80
ECH762RTM-XXP	P79
ECH762VTM-XXP	P79
ECH762HRM-XXP	P80


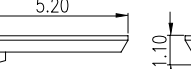
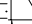




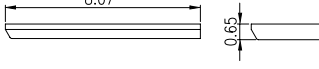


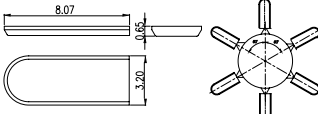

Please refer to the related page number for the compatible headers.


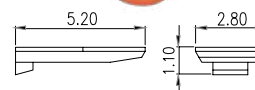








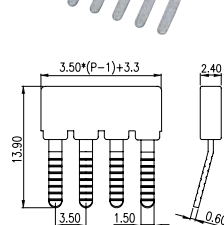
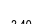
7.62mm			EC762H-XXP		Socket	
Technical Data	UL	IEC	 		ECH762V-XXP	P79
Rated voltage	600V	1000V			ECH762R-XXP	P79
Rated current	40A	41A			ECH762RR-XXP	P80
Solid (AWG/mm ²)	30-8	0.2-6			ECH762RRT-XXP	P80
Flexible (AWG/mm ²)	30-8	0.2-6			ECH762HR-XXP	P80
Rated impulse voltage		8KV			ECH762HRR-XXP	P80
Torque (N-m)	0.7	0.5			ECH762V-XXP	P82
Screw	M3				Please refer to the related page number for the compatible headers.	
Wire strip length	9~11mm					
Number of Positions						
EC762H-XXP	02~12P					
EC762HM-XXP	02~10P					
Accessories						
ESDK2	P68					


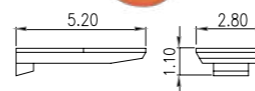








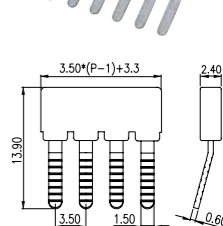
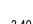
7.62mm			EC762HM-XXP		Socket	
 		ECH762VM-XXP	P79			
		ECH762RM-XXP	P79			
		ECH762RRM-XXP	P80			
		ECH762RTM-XXP	P79			
		ECH762VTM-XXP	P79			
		ECH762HRM-XXP	P80			
		Please refer to the related page number for the compatible headers.				

7.62mm			0183-01XX		0183-01XXTXX	
Technical Data	UL	IEC	 		 	
Rated voltage	600V	630V				
Rated current	25A	32A				
Solid (AWG/mm ²)	20-10	0.2-6				
Flexible (AWG/mm ²)	20-10	0.2-6				
Rated impulse voltage		6KV				
Torque (N-m)	0.5-0.6					
Screw	M3					
Wire strip length	8-9mm					
Number of Positions						
0183-01XX	02~12P					
0183-01XXTXX	03~12P					

7.62mm			0183-11XX		0183-11XXTXX			
Technical Data	UL	IEC	 		 			
Rated voltage	300V	630V						
Rated current	25A	32A						
Rated impulse voltage		6KV						
Number of Positions								
0183-11XX	02~12P							
0183-11XXTXX	03~12P							

ECHK1		ECHK2		ESDK1		ESDK2									
 		 		 		 									
								ECHK1-For		ECHK2-For		ESDK1-For		ESDK2-For	
								ECH350 / ECH381		EC762		2ESD		2ESD	
								ECHP381		ECH116		3ESD		5ESD	
								ECHB350 / ECHB381		ECH762		6ESD		7ESD	
								ECH508		ECH762		7ESD		* 6pcs of ESDK1	
								EECH350 / EECH381							
								0221-25XX							
								0221-33XX							
								0221-39XX							
0221-41XX															
0221-51XX															
0221-52XX															

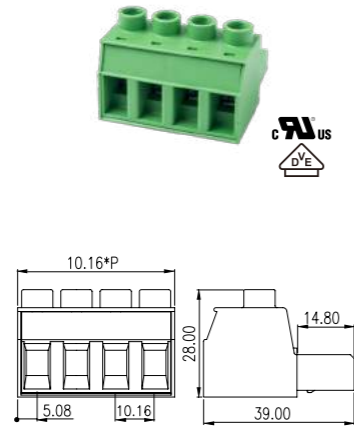
ECHK1L		EHDK1		EHDK1L		CSC-01XX									
 		 		 		 									
								ECHK1L-For		EHDK1-For		EHDK1L-For		CSC-01XX-For	
								ECH350 / ECH381		2EHD		2EHD		EC350	
								0221-25XX		3EHD		5EHD			
								0221-33XX		7EHD					
								0221-39XX							
								0221-41XX							
								0221-51XX							
								0221-52XX							

ECHK1L		EHDK1		EHDK1L		CSC-01XX									
 		 		 		 									
								ECHK1L-For		EHDK1-For		EHDK1L-For		CSC-01XX-For	
								ECH350 / ECH381		2EHD		2EHD		EC350	
								0221-25XX		3EHD		5EHD			
								0221-33XX		7EHD					
								0221-39XX							
								0221-41XX							
								0221-51XX							
								0221-52XX							

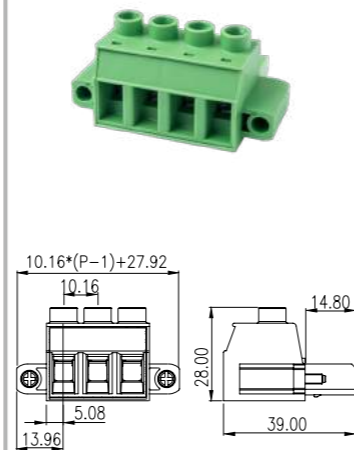
10.16mm

EC116V-XXP

Technical Data	UL	IEC
Rated voltage	600V	1000V
Rated current	51A	76A
Solid (AWG/mm ²)	16~6	0.5~16
Flexible (AWG/mm ²)	16~6	0.5~16
Rated impulse voltage	8KV	
Torque (N-m)	1.2~1.5	
Screw	M4	
Wire strip length	14~15mm	
Number of Positions		
EC116V-XXP	02~10P	
EC116VM-XXP	02~08P	
Accessories		
ECHK2	P68	



EC116VM-XXP



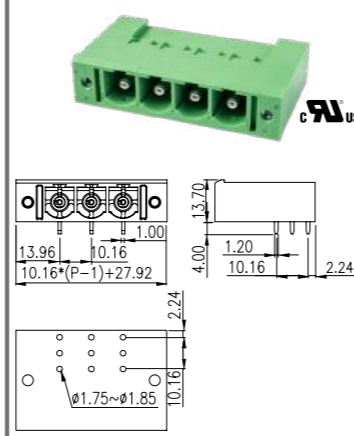
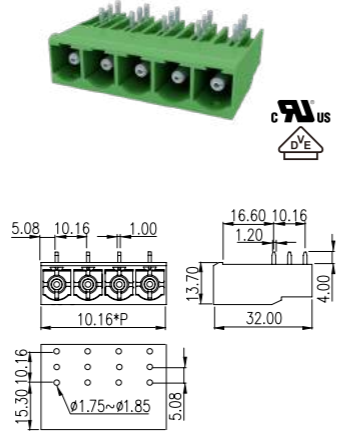
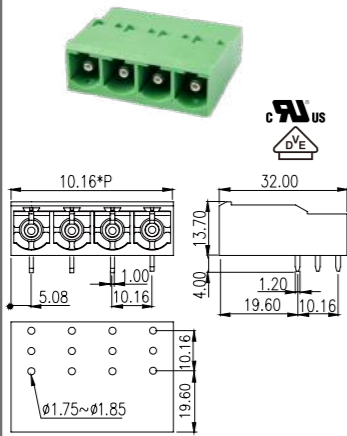
10.16mm

ECH116R-XXP

ECH116L-XXP

ECH116RM-XXP

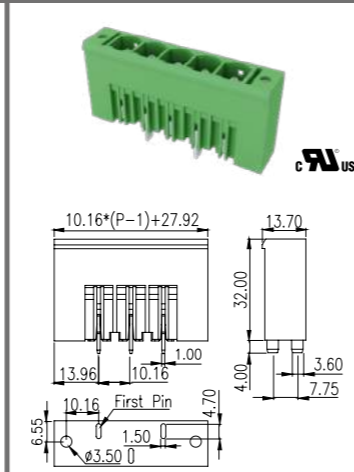
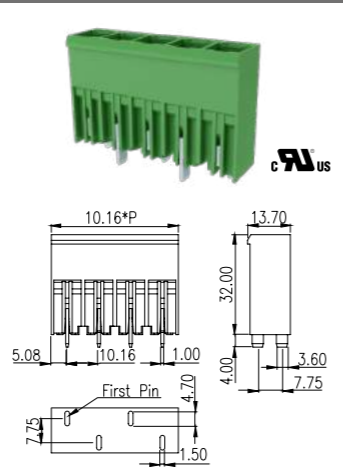
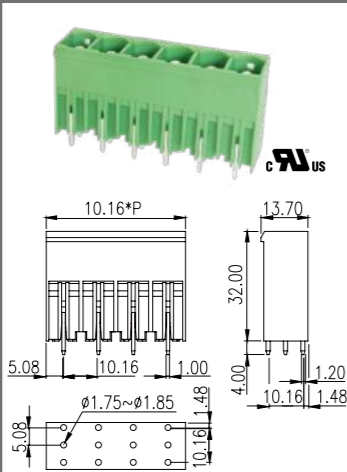
Technical Data	UL	IEC
Rated voltage		
ECH116R-XXP	300V	1000V
ECH116V-XXP	300V	1000V
ECH116L-XXP	300V	1000V
ECH116RM-XXP	300V	1000V
ECH116HVS-XXP	600V	1000V
ECH116HVSM-XXP	600V	1000V
ECH116HRS-XXP	600V	1000V
ECH116HRSM-XXP	600V	1000V
Rated current	51A	76A
Rated impulse voltage	8KV	
Number of Positions		
ECH116R-XXP	02~10P	
ECH116L-XXP	02~10P	
ECH116RM-XXP	02~08P	
ECH116V-XXP	02~10P	
ECH116HVS-XXP	02~10P	
ECH116HVSM-XXP	02~08P	
ECH116HRS-XXP	02~10P	
ECH116HRSM-XXP	02~08P	
Accessories		
ECHK2	P68	



ECH116V-XXP

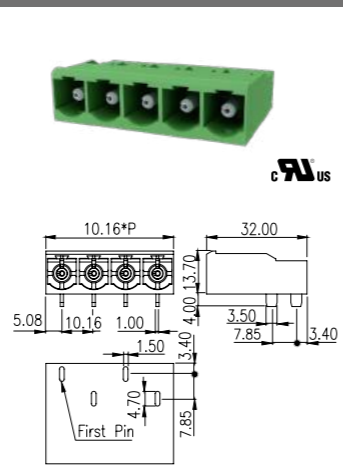
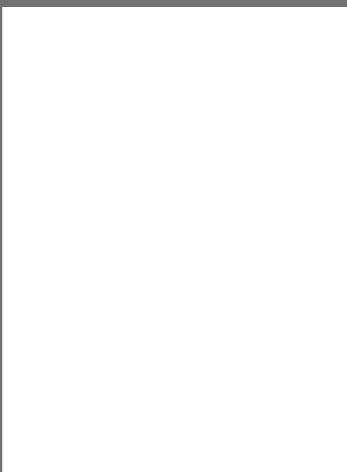
ECH116HVS-XXP

ECH116HVSM-XXP

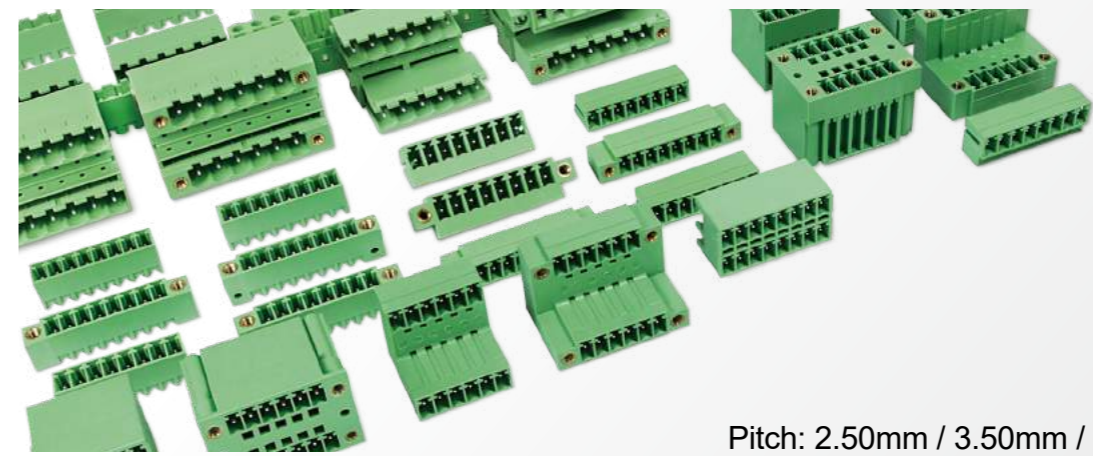


ECH116HRS-XXP

ECH116HRSM-XXP



PCB Sockets



Pitch: 2.50mm / 3.50mm / 3.81mm /
5.00mm / 5.08mm / 7.50mm /
7.62mm

UL Rated: 150V / 4A, 300V / 8A, 300V / 15A,
300V / 30A, 600V / 30A
IEC Rated: 320V / 4A ~ 1000V / 41A

Materials: General engineering
insulation for wave soldering process
temperature withstand insulation for
reflow soldering process

Pin lengths: Standard length 3.5mm for
wave soldering process
Through-hole reflow (THR) version socket
is available, standard pin length 2.6mm.
(The last suffix "L" represents THR version.)

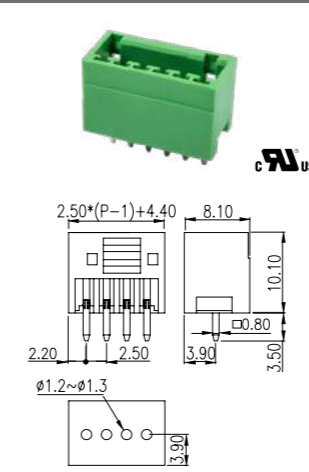
- Single & double level and single & double row sockets for options
- Horizontal, vertical and 45 degrees plug-in direction
- with screw flange and lock flange versions.

2.50mm

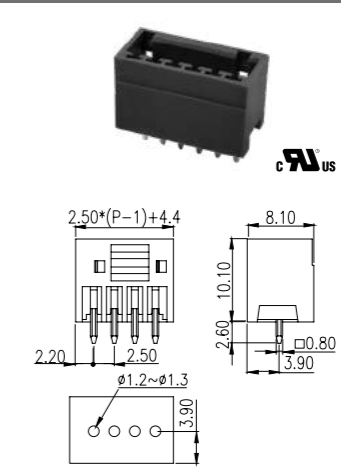
Technical Data	UL	IEC
Rated voltage	150V	320V
Rated current	4A	4A
Rated impulse voltage	2.5KV	
Number of Positions		
ECH250V-XXP	02~24P	
ECH250R-XXP	02~24P	
ECH250V-XXPL	02~24P	
ECH250R-XXPL	02~24P	
ECHB250V-XXP	04~48P	
ECHB250R-XXP	04~48P	

* The last suffix "L" of part number represents THR version

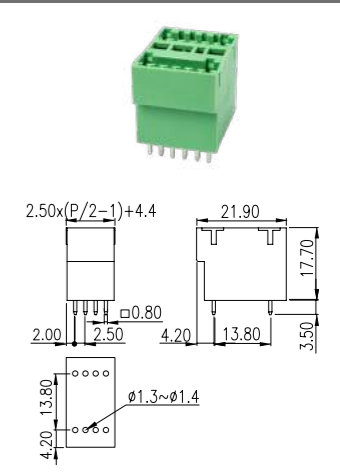
ECH250V-XXP



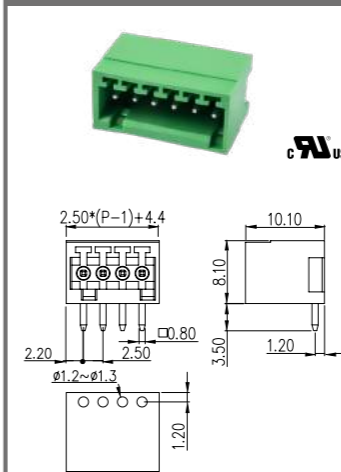
ECH250V-XXPL



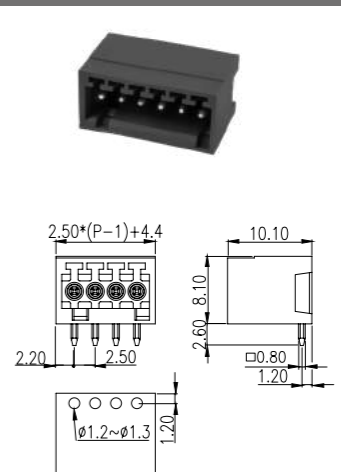
ECHB250V-XXP



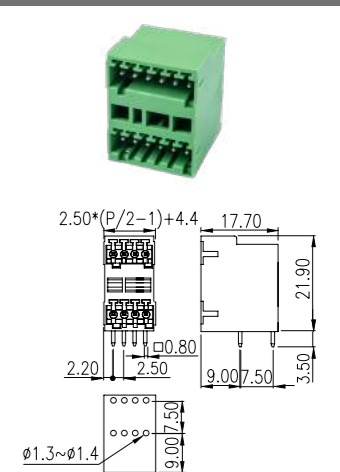
ECH250R-XXP



ECH250R-XXPL



ECHB250R-XXP



3.5mm

Technical Data	UL	IEC
Rated voltage	300V	320V
Rated current	8A	14A
Rated impulse voltage		2.5kV
Number of Positions		
ECH350V-XXP	02-24P	
ECH350R-XXP	02-24P	
ECH350RR-XXP	02-24P	
ECH350VJ-XXP	02-24P	
ECH350VJ-XXPL	02-24P	
ECHB350V-XXP	04-44P	
EECH350V-XXP	04-32P	
ECH350H-XXP	02-18P	
ECH350V-XXPL	02-24P	
ECH350R-XXPL	02-24P	
ECH350RR-XXPL	02-24P	
ECH350RJ-XXP	02-24P	
ECH350RJ-XXPL	02-24P	
ECHB350VM-XXP	04-32P	
EECH350VM-XXP	04-40P	
ECH381RG-XXP	02-10P	
ECH350VM-XXP	02-24P	
ECH350RM-XXP	02-24P	
ECH350RRM-XXP	02-24P	
ECH350VJ-XXP	02-24P	
ECH350H-XXP	04-44P	
EECH350R-XXP	04-32P	
ECHB350R-XXP	04-32P	
ECH350VM-XXPL	02-24P	
ECH350RM-XXPL	02-24P	
ECH350RRM-XXPL	02-24P	
ECH350RT-XXPL	02-24P	
ECHB350RM-XXP	04-36P	
EECH350RM-XXP	04-40P	

Accessories
 ECHK1 P68
 * The last suffix "L" of part number represents THR version
 • Made to order

ECH350V-XXP

Technical drawings showing dimensions: $3.50 \times (P-1) + 4.3$, 7.20, 9.20, 2.15, 3.50, $\square 0.80$, 3.40, 3.00, $\phi 1.2 \sim \phi 1.3$.

ECH350R-XXP

Technical drawings showing dimensions: $3.50 \times (P-1) + 4.30$, 9.20, 7.20, 2.15, 3.50, $\square 0.80$, 3.40, 1.20, $\phi 1.2 \sim \phi 1.3$.

ECH350RR-XXP

Technical drawings showing dimensions: $3.50 \times (P-1) + 4.5$, 9.20, 7.20, 2.25, 3.50, $\square 0.80$, 3.40, 1.20, $\phi 1.2 \sim \phi 1.3$.

ECH350RJ-XXP

Technical drawings showing dimensions: $3.50 \times (P-1) + 11.8$, 9.20, 7.20, 5.90, 3.50, $\square 0.80$, 3.50, 1.20, $\phi 1.40$, 1.20.

ECH350RT-XXPL

Technical drawings showing dimensions: $3.50 \times (P-1) + 6.50$, 9.20, 7.20, 2.25, 3.50, $\square 0.80$, 1.20, 2.60, $\phi 2.40$, 1.20.

EECH350V-XXP

Technical drawings showing dimensions: $3.50 \times (P/2-1) + 4.30$, 22.44, 7.00, 21.90, 3.40, 2.15, 3.50, $\square 0.80$, 3.00, 15.24, 3.00, $\phi 1.2 \sim \phi 1.3$.

ECHB350V-XXP

Technical drawings showing dimensions: $3.50 \times (P/2-1) + 4.90$, 22.70, 21.90, 3.40, 2.45, 3.50, $\square 0.80$, 2.90, 15.24, $\phi 1.2 \sim \phi 1.3$, 2.90, 15.70.

ECH350V-XXPL

Technical drawings showing dimensions: $3.50 \times (P-1) + 4.50$, 7.20, 9.20, 2.25, 3.50, $\square 0.80$, 3.00, 2.60, $\phi 1.40$, 3.00.

ECH350R-XXPL

Technical drawings showing dimensions: $3.50 \times (P-1) + 4.50$, 9.20, 7.20, 2.25, 3.50, $\square 0.80$, 1.20, 2.60, $\phi 1.40$, 1.20.

ECH350RR-XXPL

Technical drawings showing dimensions: $3.50 \times (P-1) + 4.50$, 9.20, 7.20, 2.25, 3.50, $\square 0.80$, 2.60, 1.20, 9.20, $\phi 1.40$, 1.20.

ECH350RJ-XXPL

Technical drawings showing dimensions: $3.50 \times (P-1) + 11.80$, 9.20, 7.20, 5.90, 3.50, $\square 0.80$, 1.20, 2.60, $\phi 1.40$, 1.20.

ECH350RT-XXPL

Technical drawings showing dimensions: $3.50 \times (P-1) + 4.50$, 7.20, 9.20, 2.25, 3.50, $\square 0.80$, 3.00, 2.60, $\phi 1.40$, 3.00.

EECH350VM-XXP

Technical drawings showing dimensions: $3.50 \times (P/2-1) + 14.10$, 22.44, 7.00, 21.90, 3.40, 7.05, 3.50, $\square 0.80$, 3.00, 15.24, 3.00, $\phi 2.4$, $\phi 1.2 \sim \phi 1.3$, 15.24.

ECHB350VM-XXP

Technical drawings showing dimensions: $3.50 \times (P/2-1) + 13.90$, 22.70, 21.90, 3.40, 6.99, 3.50, $\square 0.80$, 2.90, 15.24, $\phi 1.2 \sim \phi 1.3$, 2.90, 15.24.

ECH350VM-XXP

Technical drawings showing dimensions: $3.50 \times (P-1) + 14.1$, 7.20, 9.20, 7.05, 3.50, $\square 0.80$, 3.40, 3.00, 2.70, 4.35, $\phi 1.2 \sim \phi 1.3$, $\phi 2.40$, 3.00.

ECH350RM-XXP

Technical drawings showing dimensions: $3.50 \times (P-1) + 14.10$, 9.20, 7.20, 7.05, 3.50, $\square 0.80$, 3.40, 1.20, $\phi 1.2 \sim \phi 1.3$, 1.20.

ECH350RRM-XXP

Technical drawings showing dimensions: $3.50 \times (P-1) + 14.1$, 9.20, 7.20, 7.05, 3.50, $\square 0.80$, 3.40, 1.20, 4.35, $\phi 1.2 \sim \phi 1.3$, $\phi 2.40$, 1.20.

ECH350VJ-XXP

Technical drawings showing dimensions: $3.50 \times (P-1) + 11.8$, 7.20, 9.20, 5.90, 3.50, $\square 0.80$, 3.00, 3.00, $\phi 1.40$, 3.00.

ECH350H-XXP

Technical drawings showing dimensions: $3.50 \times (P-1) + 4.3$, 9.20, 7.20, 2.15, 3.50, $\square 0.80$, 3.40, 10.70, 5.00, 1.20, $\phi 1.2 \sim \phi 1.3$, 5.00, 1.20.

EECH350R-XXP

Technical drawings showing dimensions: $3.50 \times (P/2-1) + 4.30$, 21.90, 9.20, 22.44, 2.15, 3.50, $\square 0.80$, 12.70, 1.20, $\phi 1.2 \sim \phi 1.3$, 12.70.

ECHB350R-XXP

Technical drawings showing dimensions: $3.50 \times (P/2-1) + 4.90$, 21.90, 22.70, 2.45, 3.50, $\square 0.80$, 8.00, 12.70, 3.50, $\phi 1.2 \sim \phi 1.3$, 8.00, 12.70.

ECH350VM-XXPL

Technical drawings showing dimensions: $3.50 \times (P-1) + 14.10$, 7.20, 9.20, 7.05, 3.50, $\square 0.80$, 2.60, 3.00, $\phi 1.40$, 4.35, $\phi 2.40$, 3.00.

ECH350RM-XXPL

Technical drawings showing dimensions: $3.50 \times (P-1) + 14.10$, 9.20, 7.20, 7.05, 3.50, $\square 0.80$, 1.20, 2.60, $\phi 1.40$, 4.35, $\phi 2.40$, 1.20, 2.10.

ECH350RRM-XXPL

Technical drawings showing dimensions: $3.50 \times (P-1) + 14.10$, 9.20, 7.20, 7.05, 3.50, $\square 0.80$, 2.60, 1.20, 9.20, $\phi 1.40$, 4.35, $\phi 2.40$, 1.20, 2.10.

ECH350VJ-XXPL

Technical drawings showing dimensions: $3.50 \times (P-1) + 11.80$, 7.20, 9.20, 5.90, 3.50, $\square 0.80$, 3.00, 2.60, $\phi 1.40$, 3.00.

ECH381RG-XXP

Technical drawings showing dimensions: $3.81 \times (P-1) + 4.6$, 9.20, 7.20, 2.30, 3.81, 3.40, $\square 0.80$, 1.20, $\phi 2.50$ LED, $\phi 1.30$, 1.20, 6.50.

EECH350RM-XXP

Technical drawings showing dimensions: $3.50 \times (P/2-1) + 14.10$, 21.90, 9.20, 22.44, 2.50, 7.05, 3.50, $\square 0.80$, 4.50, 12.70, 1.20, $\phi 2.70$, $\phi 1.2 \sim \phi 1.3$, 12.70, 4.50.

ECHB350RM-XXP

Technical drawings showing dimensions: $3.50 \times (P/2-1) + 13.9$, 21.90, 22.70, 2.45, 3.50, $\square 0.80$, 8.00, 12.70, 3.50, $\phi 1.2 \sim \phi 1.3$, 8.00, 12.70.

3.81mm

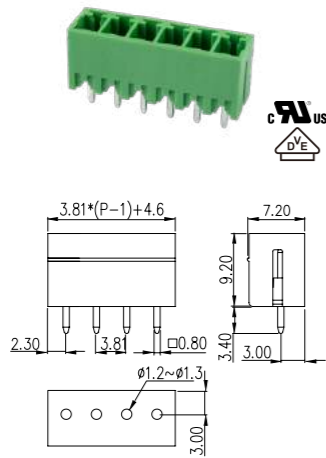
Technical Data	UL	IEC
Rated voltage	300V	320V
Rated current	8A	14A
Rated impulse voltage		2.5kV

Number of Positions	
ECH381V-XXP	02~24P
ECH381R-XXP	02~24P
ECH381RR-XXP	02~24P
ECH381A-XXP	02~24P
ECHB381V-XXP	04~36P
EECH381V-XXP	04~36P
ECH381H-XXP	02~18P
ECH381V-XXPL	02~24P
ECH381R-XXPL	02~24P
ECH381RR-XXPL	02~24P
ECH381AM-XXP	02~24P
ECHB381VM-XXP	04~32P
EECH381VM-XXP	04~32P
ECH381VM-XXP	02~24P
ECH381RM-XXP	02~24P
ECH381RRM-XXP	02~24P
ECH381VJ-XXPL	02~24P
ECHB381R-XXP	04~36P
EECH381R-XXP	04~36P
ECHB381RRD-XXP	04~48P
ECH381VM-XXPL	02~24P
ECH381RM-XXPL	02~24P
ECH381RRM-XXPL	02~24P
ECH381RJ-XXPL	02~24P
ECHB381RM-XXP	04~32P
EECH381RM-XXP	04~32P

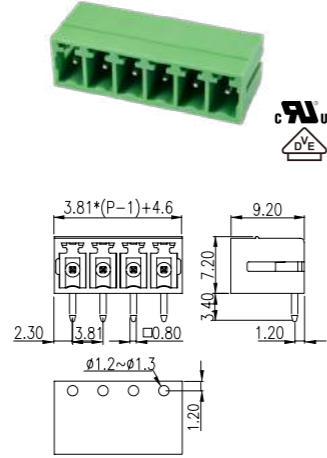
Accessories	
ECHK1	P68

* The last suffix "L" of part number represents THR version

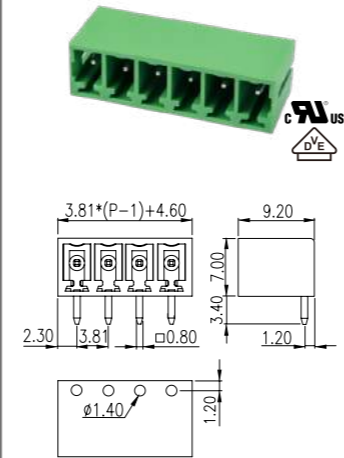
ECH381V-XXP



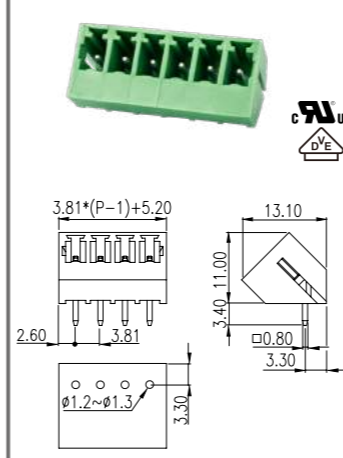
ECH381R-XXP



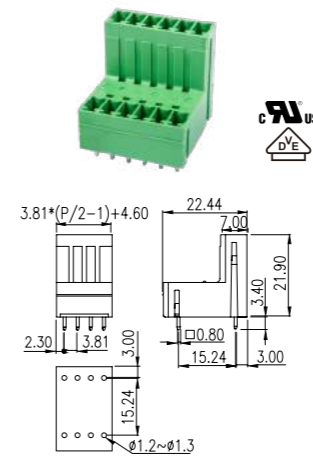
ECH381RR-XXP



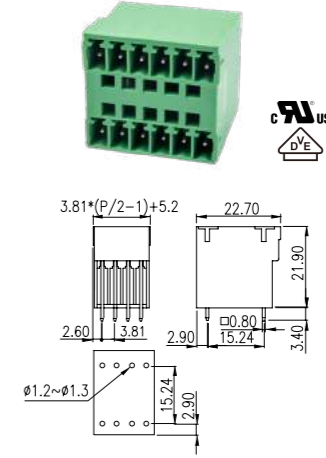
ECH381A-XXP



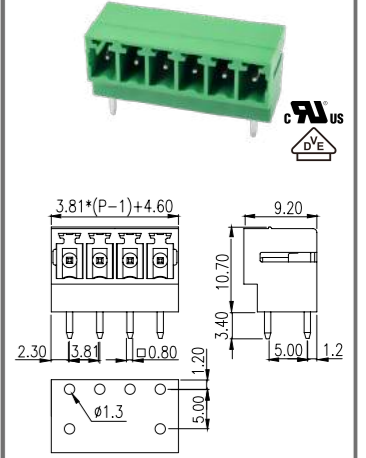
EECH381V-XXP



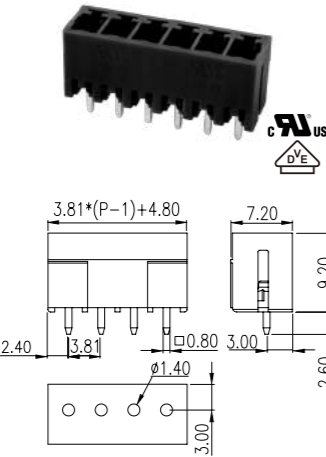
ECHB381V-XXP



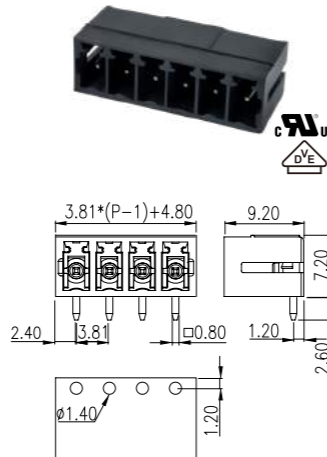
ECH381H-XXP



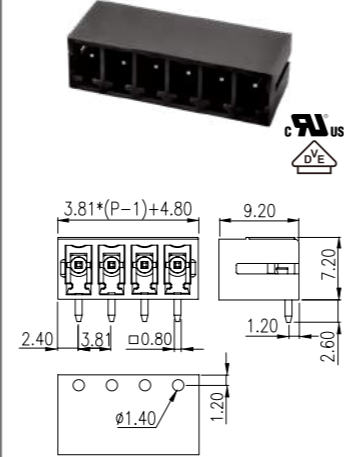
ECH381V-XXPL



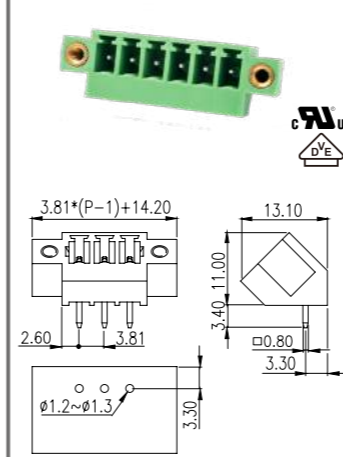
ECH381R-XXPL



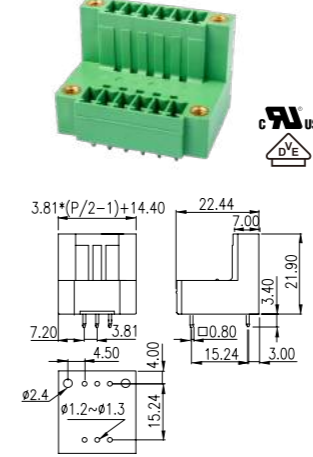
ECH381RR-XXPL



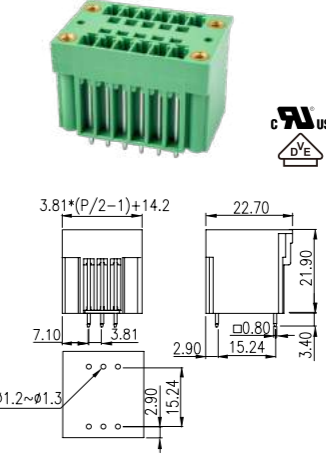
ECH381AM-XXP



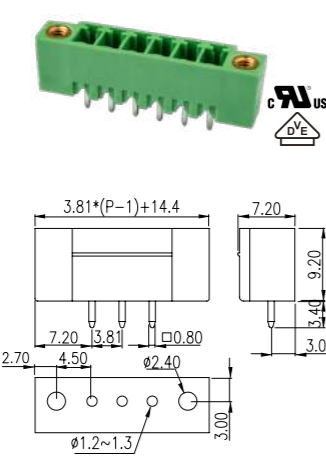
EECH381VM-XXP



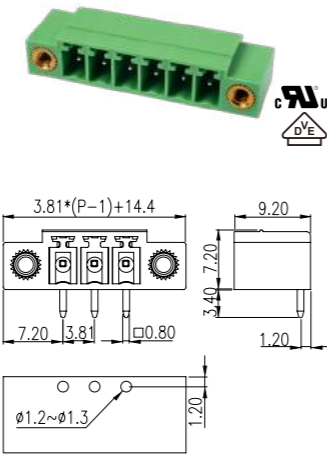
ECHB381VM-XXP



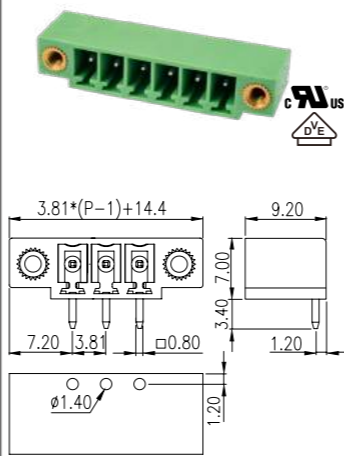
ECH381VM-XXP



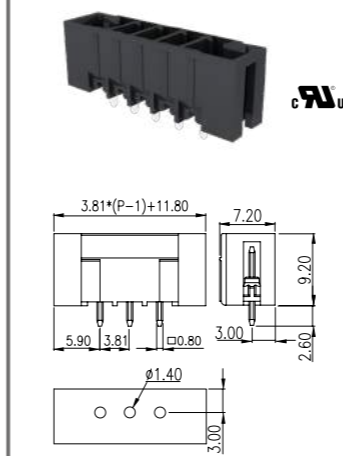
ECH381RM-XXP



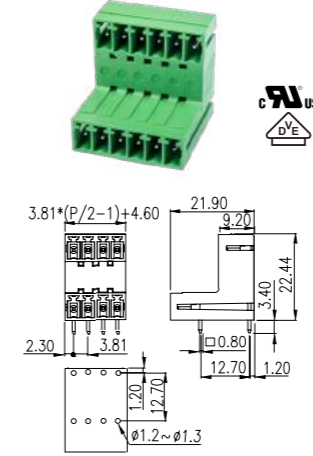
ECH381RRM-XXP



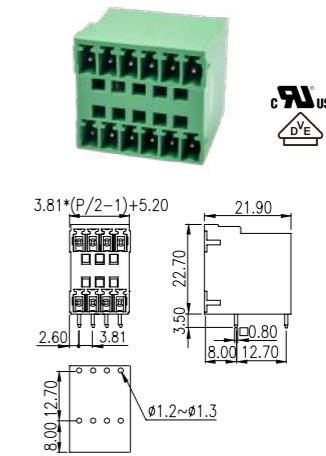
ECH381VJ-XXPL



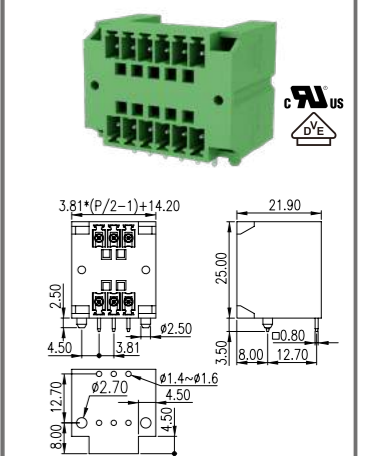
EECH381R-XXP



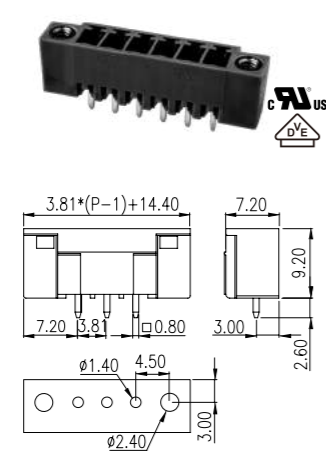
ECHB381R-XXP



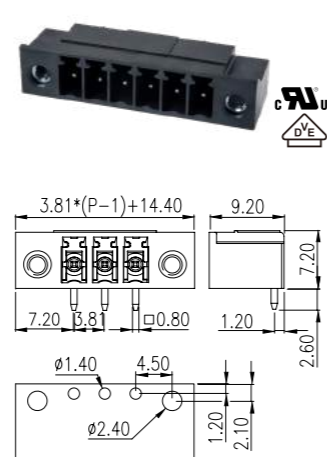
ECHB381RRD-XXP



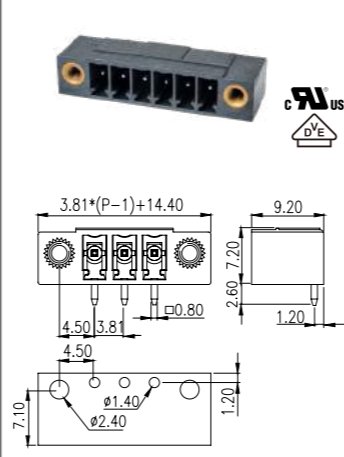
ECH381VM-XXPL



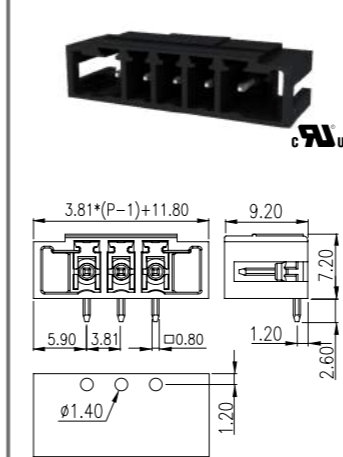
ECH381RM-XXPL



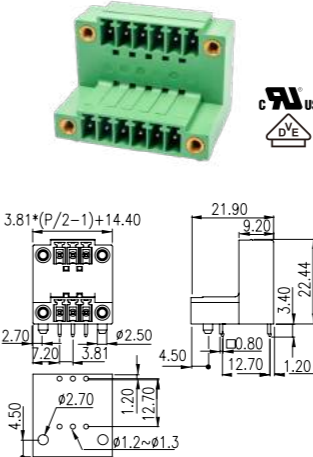
ECH381RRM-XXPL



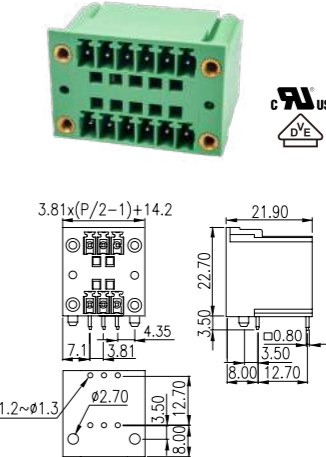
ECH381RJ-XXPL



EECH381RM-XXP



ECHB381RM-XXP



5.08mm

ECH508V-XXP

5.08mm

2EHDA-XXP

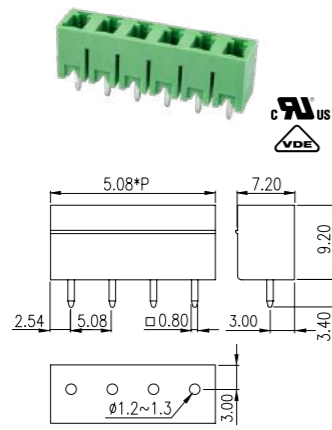
2EHDV-XXP

2EHDR-XXP

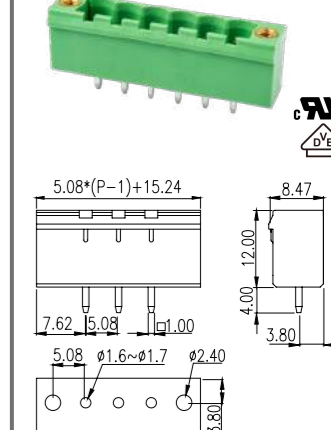
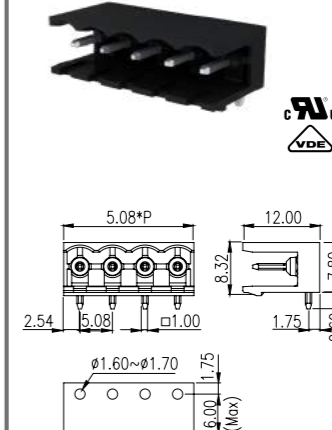
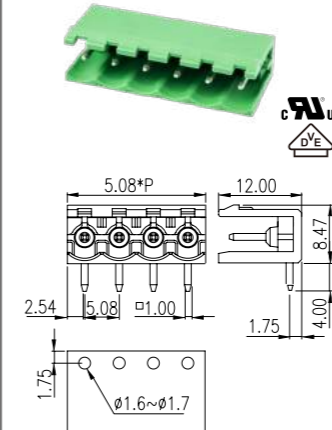
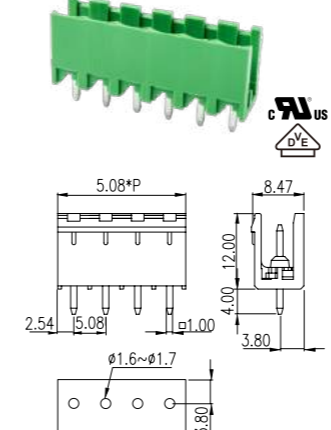
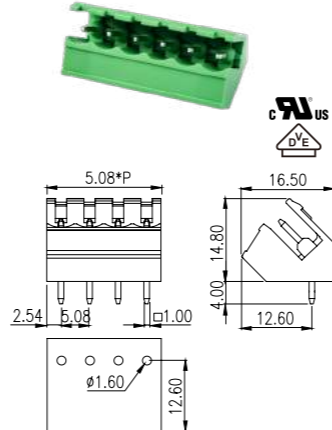
2EHDRR-XXPL

2EHDVM-XXP

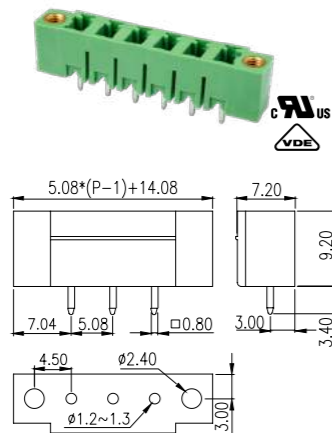
Technical Data		UL	IEC
Rated voltage		300V	600V
Rated current		12A	14A
Rated impulse voltage			4KV
Number of Positions			
ECH508V-XXP		02~24P	
ECH508VM-XXP		02~24P	
ECH508R-XXP		02~24P	
ECH508RM-XXP		02~24P	
Accessories			
EHDK1		P68	



Technical Data		UL	IEC
Rated voltage		300V	600V
Rated current		15A / 20A	18A
Rated impulse voltage			4KV
Number of Positions			
2EHDA-XXP		02~24P	
2EHDAC-XXP		02~24P	
2EHDV-XXP		02~24P	
2EHDV-XXPL		02~24P	
2EHDRC-XXP		02~24P	
2EHDRC-XXPL		02~24P	
2EHDR-XXP		02~24P	
2EHDR-XXPL		02~24P	
2EHDRR-XXPL		02~24P	
2EHDRM-XXP		02~24P	
2EHDRM-XXPL		02~24P	
2EHDRRM-XXPL		02~24P	
2EHDVM-XXP		02~24P	
2EHDVM-XXPL		02~24P	
2EHDRM-XXP		02~24P	
2EHDRM-XXPL		02~24P	
Accessories			
EHDK1		P68	

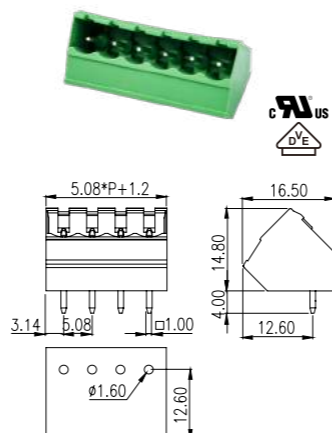


ECH508VM-XXP

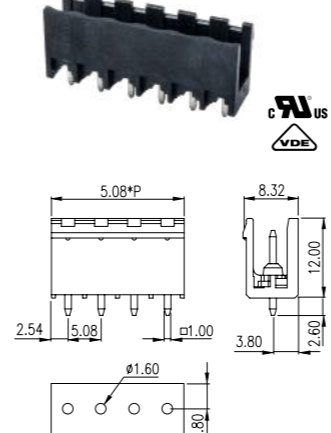


* The last suffix "L" of part number represents THR version

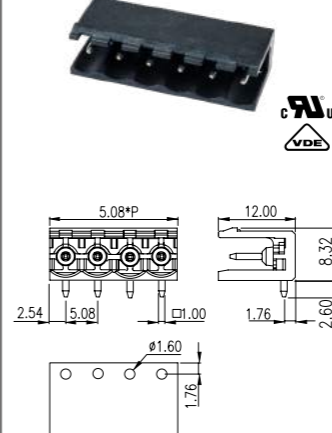
2EHDAC-XXP



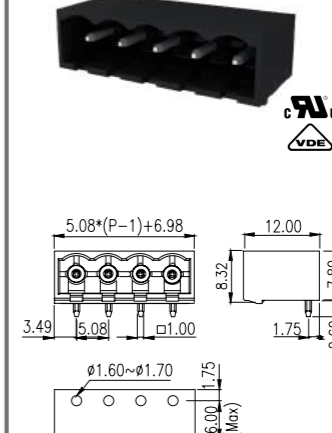
2EHDV-XXPL



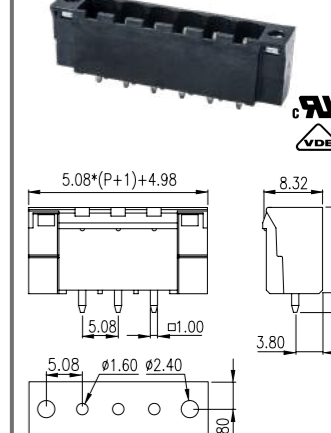
2EHDR-XXPL



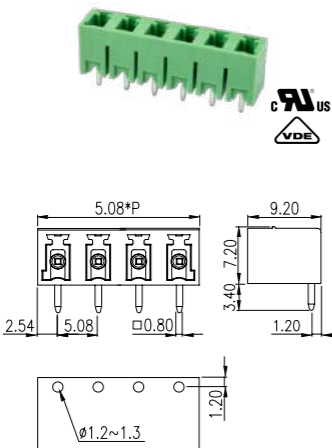
2EHDRRC-XXPL



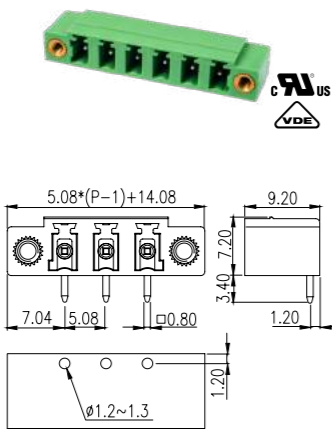
2EHDVM-XXPL



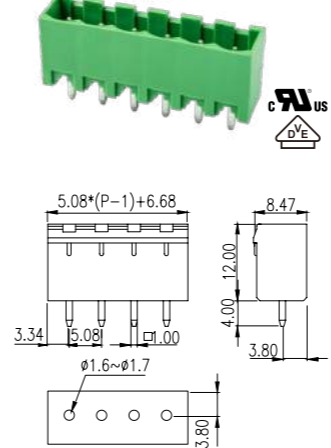
ECH508R-XXP



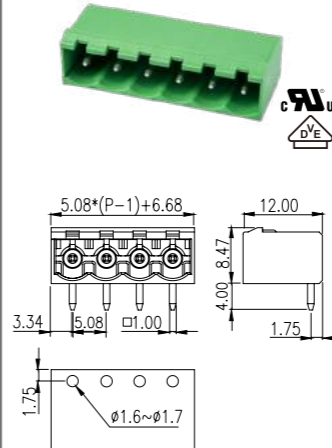
ECH508RM-XXP



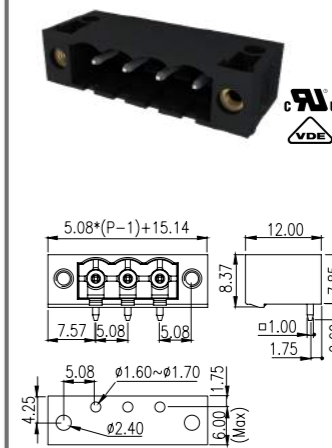
2EHDVC-XXP



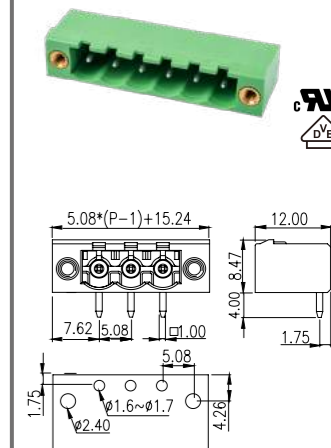
2EHDRC-XXP



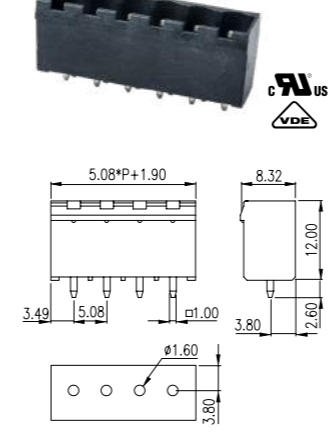
2EHDRRM-XXPL



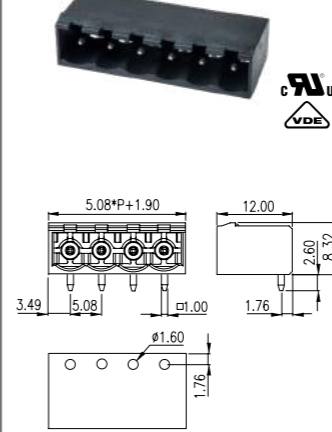
2EHDRM-XXP



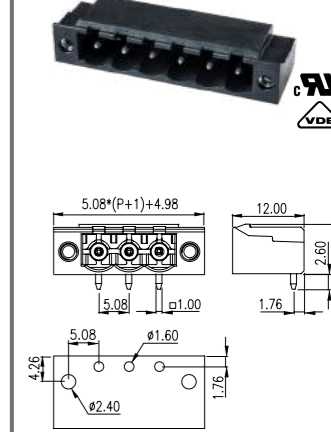
2EHDVC-XXPL



2EHDRC-XXPL



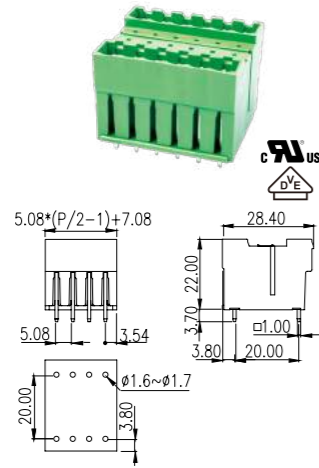
2EHDRM-XXPL



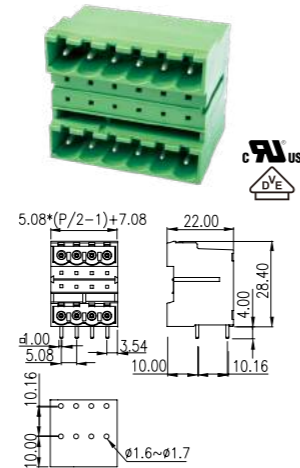
5.08mm

Technical Data	UL	IEC
Rated voltage	300V	630V
Rated current	15A	18A
Rated impulse voltage		4KV
Number of Positions		
2EHDBV-XXP	04~48P	
2EHDBVM-XXP	04~44P	
2EHDBR-XXP	04~48P	
2EHDBRM-XXP	04~44P	
2EEHDV-XXP	04~48P	
2EEHDVM-XXP	04~48P	
2EEHDR-XXP	04~48P	
2EEHDM-XXP	04~48P	
Accessories		
EHDK1	P68	

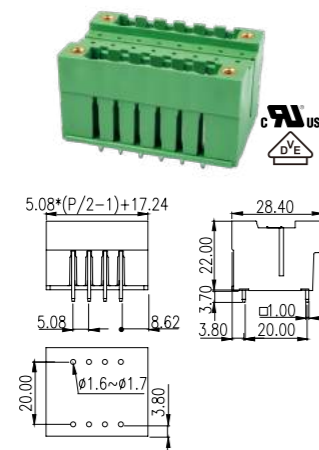
2EHDBV-XXP



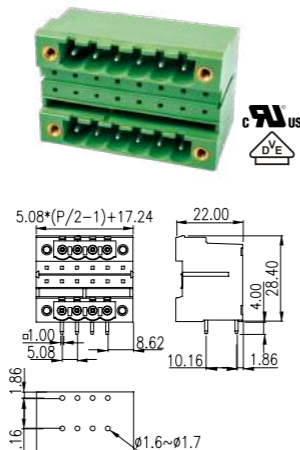
2EHDBR-XXP



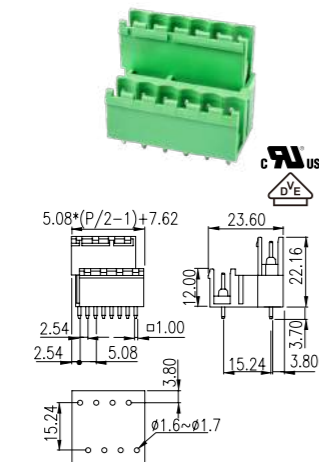
2EHDBVM-XXP



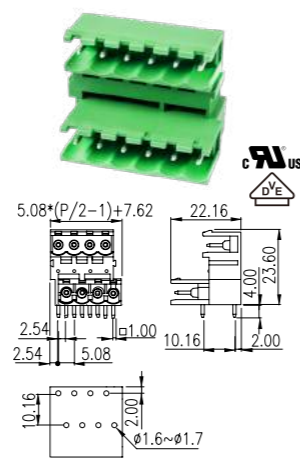
2EHDBRM-XXP



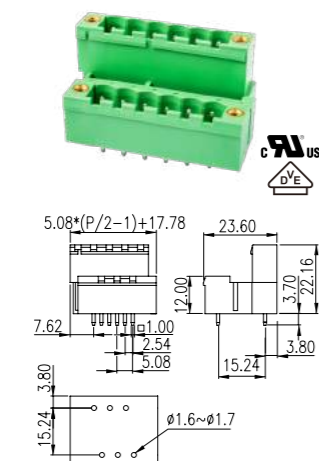
2EEHDV-XXP



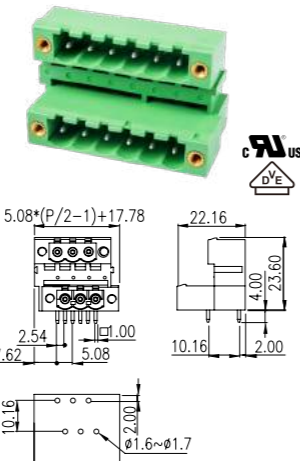
2EEHDR-XXP



2EEHDVM-XXP



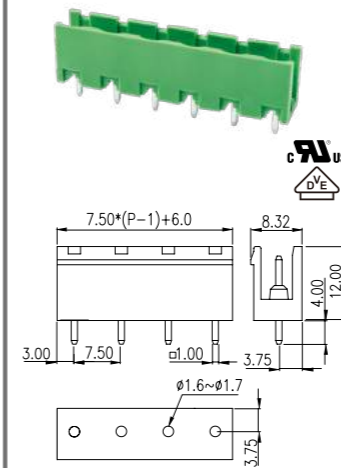
2EEHDM-XXP



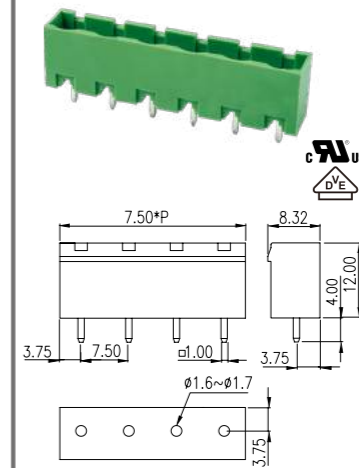
7.50mm

Technical Data	UL	IEC
Rated voltage	300V	800V
Rated current	15A	18A
Rated impulse voltage		6KV
Number of Positions		
7EHDV-XXP	02~12P	
7EHDVC-XXP	02~12P	
7EHDVM-XXP	02~12P	
7EHDR-XXP	02~12P	
7EHDRC-XXP	02~12P	
7EHDVM-XXP	02~12P	
Accessories		
EHDK1	P68	

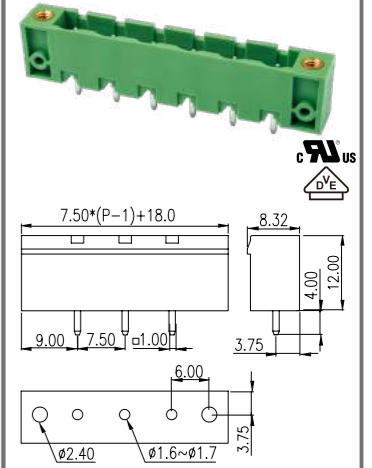
7EHDV-XXP



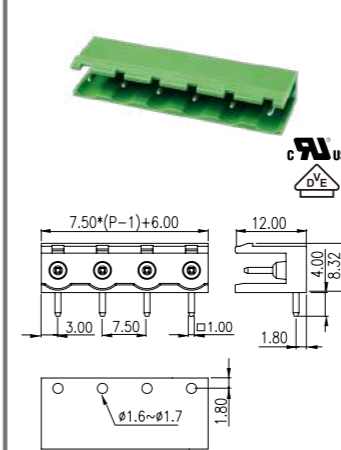
7EHDVC-XXP



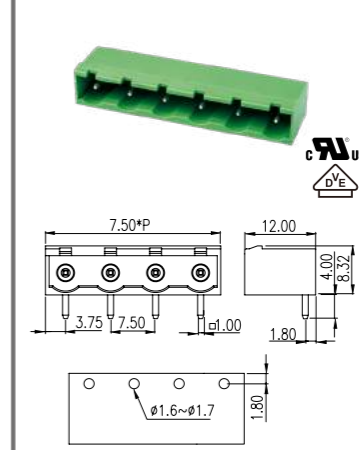
7EHDVM-XXP



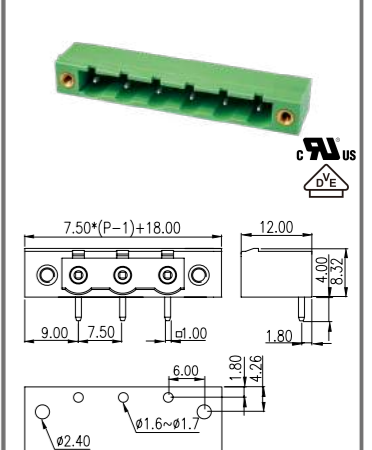
7EHDR-XXP



7EHDRC-XXP



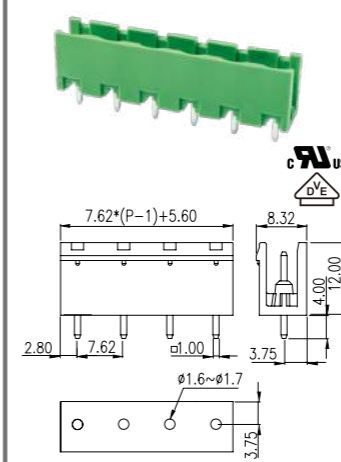
7EHDVM-XXP



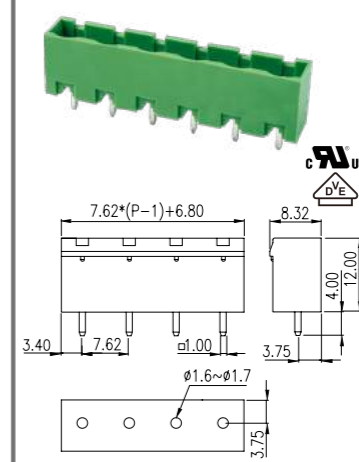
7.62mm

Technical Data	UL	IEC
Rated voltage	300V	800V
Rated current	25A	18A
Rated impulse voltage		6KV
Number of Positions		
3EHDV-XXP	02~14P	
3EHDVC-XXP	02~14P	
3EHDVM-XXP	02~14P	
3EHDR-XXP	02~14P	
3EHDRC-XXP	02~14P	
3EHDVM-XXP	02~14P	
Accessories		
EHDK1	P68	

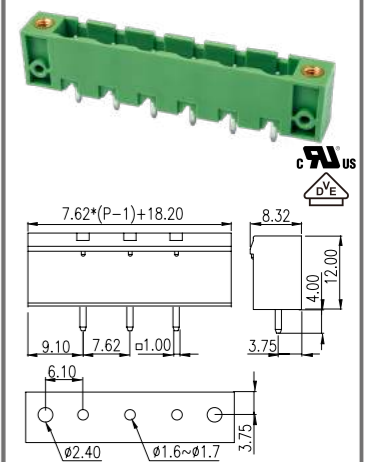
3EHDV-XXP



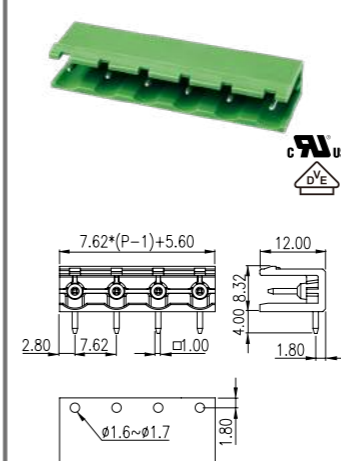
3EHDVC-XXP



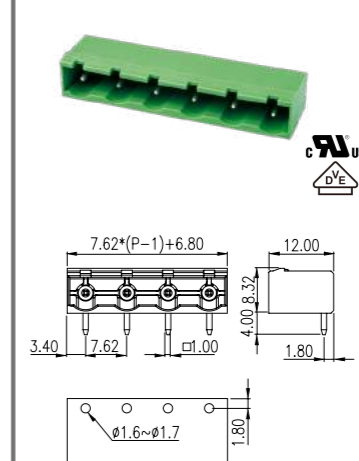
3EHDVM-XXP



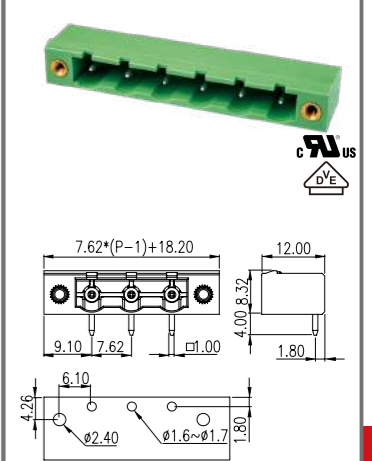
3EHDR-XXP



3EHDRC-XXP



3EHDVM-XXP



7.62mm

ECH762V-XXP

ECH762R-XXP

7.62mm

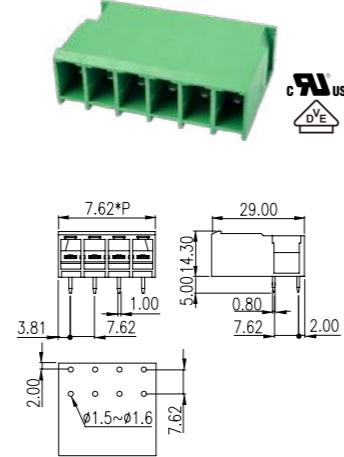
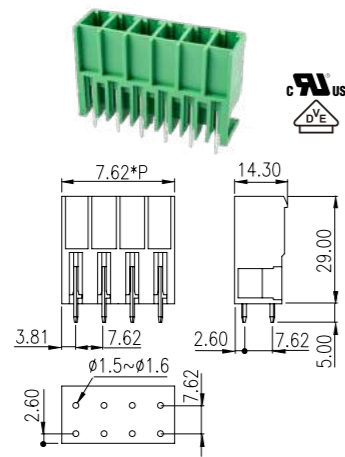
ECH762RR-XXP

7.62mm

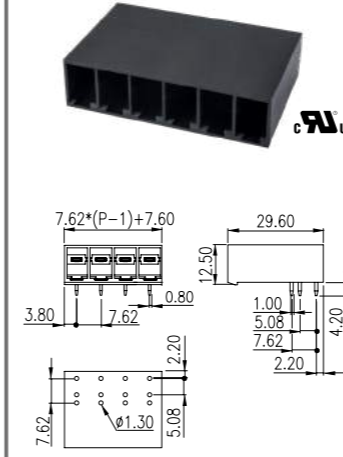
ECH762HR-XXP

ECH762HRR-XXP

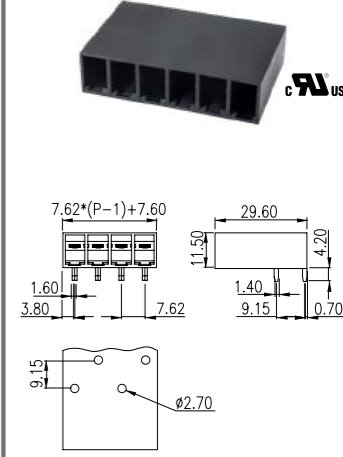
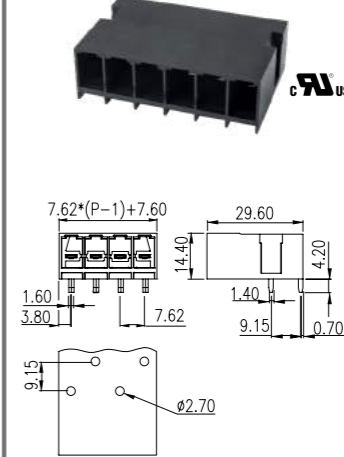
Technical Data	UL	IEC
Rated voltage	300V	1000V
Rated current	30A	41A
Rated impulse voltage		8KV
Number of Positions		
ECH762V-XXP	02~12P	
ECH762VM-XXP	02~12P	
ECH762VTM-XXP	02~12P	
ECH762R-XXP	02~12P	
ECH762RM-XXP	02~12P	
ECH762RTM-XXP	02~12P	
Accessories		
ECHK2		P68



Technical Data	UL	IEC
Rated voltage	300V	1000V
Rated current	40A	41A
Rated impulse voltage		8KV
Number of Positions		
ECH762RR-XXP	02~12P	
ECH762RRM-XXP	02~12P	
ECH762RRT-XXP	02~12P	
Accessories		
ECHK2		P68



Technical Data	UL	IEC
Rated voltage	600V	1000V
Rated current	40A	41A
Rated impulse voltage		8KV
Number of Positions		
ECH762HR-XXP	02~12P	
ECH762HRR-XXP	02~12P	
ECH762HRM-XXP	02~12P	
Accessories		
ECHK2		P68

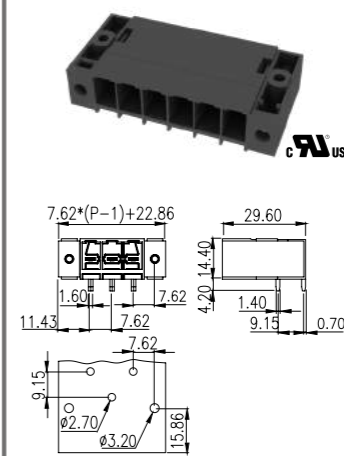
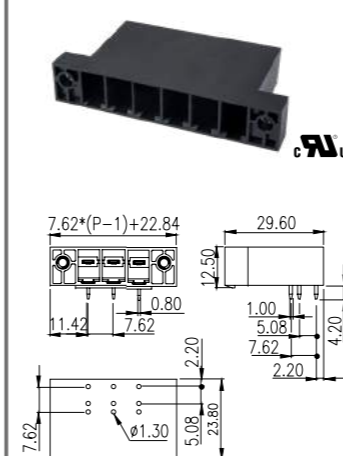
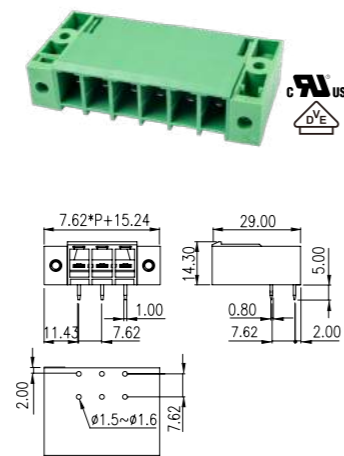
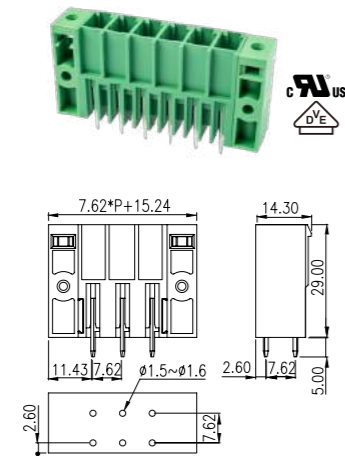


ECH762VM-XXP

ECH762RM-XXP

ECH762RRM-XXP

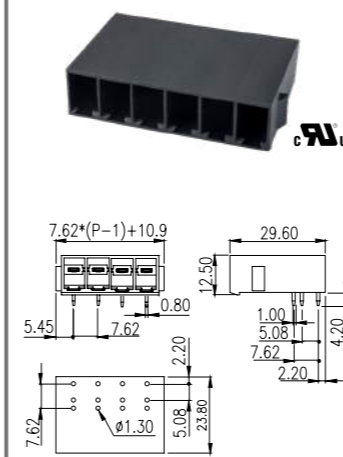
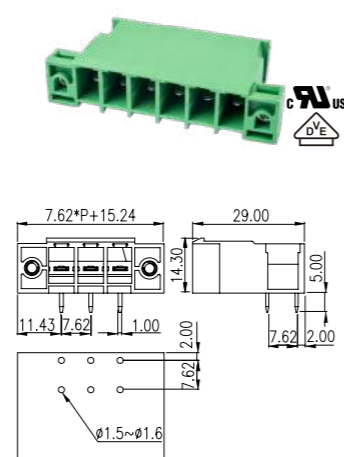
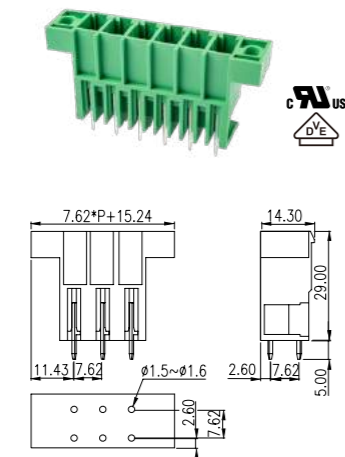
ECH762HRM-XXP



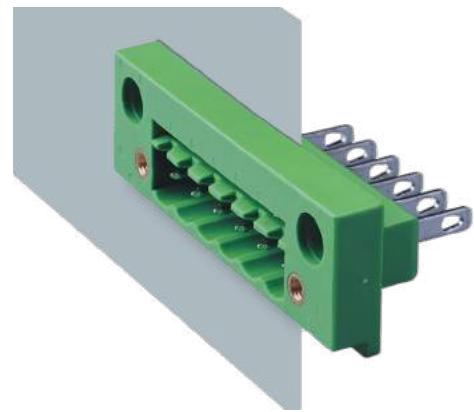
ECH762VTM-XXP

ECH762RTM-XXP

ECH762RRT-XXP



Feed-Through Headers



Feed-through headers create a pluggable connection with devices/equipment on its housing/cabinet. The pin design can be a permanent solution or a temporary solution, which brings extremely flexibility in your application, you can choose PID connection plug or screw connection plug to mate with your demand.

- Pin design can be soldered with wire as a permanent solution, for temporary use it can slip the wire on the pin to solve your connection demand
- The feed-through headers are universal for plugs in push-in connection or screw connection
- Cable connections inside the device allow flexible positioning of the panel feedthroughs

3.81mm		ECHP381V-XXP																																																			
<table border="1"> <tr><th>Technical Data</th><th>UL</th><th>IEC</th></tr> <tr><td>Rated voltage</td><td>300V</td><td>320V</td></tr> <tr><td>Rated current</td><td>8A</td><td>14A</td></tr> <tr><td>Rated impulse voltage</td><td></td><td>2.5KV</td></tr> <tr><td colspan="3">Number of Positions</td></tr> <tr><td>ECHP381V-XXP</td><td></td><td>02~24P</td></tr> <tr><td colspan="3">Accessories</td></tr> <tr><td>ECHK1</td><td></td><td>P68</td></tr> </table>	Technical Data	UL	IEC	Rated voltage	300V	320V	Rated current	8A	14A	Rated impulse voltage		2.5KV	Number of Positions			ECHP381V-XXP		02~24P	Accessories			ECHK1		P68																													
Technical Data	UL	IEC																																																			
Rated voltage	300V	320V																																																			
Rated current	8A	14A																																																			
Rated impulse voltage		2.5KV																																																			
Number of Positions																																																					
ECHP381V-XXP		02~24P																																																			
Accessories																																																					
ECHK1		P68																																																			
5.00mm		5EHDK-XXP/1.0	5EHDK-XXP/1.2	5EHDK-XXP/1.4	5EHDK-XXP/1.6	5EHDKPM-XXP																																															
<table border="1"> <tr><th>Technical Data</th><th>UL</th><th>IEC</th></tr> <tr><td>Rated voltage</td><td>300V</td><td>600V</td></tr> <tr><td>Rated current</td><td>15A</td><td>18A</td></tr> <tr><td>Rated impulse voltage</td><td></td><td>4KV</td></tr> <tr><td colspan="3">Number of Positions</td></tr> <tr><td>5EHDK-XXP/1.0</td><td></td><td>02~12P</td></tr> <tr><td>5EHDK-XXP/1.2</td><td></td><td>02~12P</td></tr> <tr><td>5EHDK-XXP/1.4</td><td></td><td>02~12P</td></tr> <tr><td>5EHDK-XXP/1.6</td><td></td><td>02~12P</td></tr> <tr><td>5EHDKM-XXP/1.0</td><td></td><td>02~12P</td></tr> <tr><td>5EHDKM-XXP/1.2</td><td></td><td>02~12P</td></tr> <tr><td>5EHDKM-XXP/1.4</td><td></td><td>02~12P</td></tr> <tr><td>5EHDKM-XXP/1.6</td><td></td><td>02~12P</td></tr> <tr><td>5EHDKPM-XXP</td><td></td><td>02~12P</td></tr> <tr><td colspan="3">Accessories</td></tr> <tr><td>EHDK1</td><td></td><td>P68</td></tr> </table>	Technical Data	UL	IEC	Rated voltage	300V	600V	Rated current	15A	18A	Rated impulse voltage		4KV	Number of Positions			5EHDK-XXP/1.0		02~12P	5EHDK-XXP/1.2		02~12P	5EHDK-XXP/1.4		02~12P	5EHDK-XXP/1.6		02~12P	5EHDKM-XXP/1.0		02~12P	5EHDKM-XXP/1.2		02~12P	5EHDKM-XXP/1.4		02~12P	5EHDKM-XXP/1.6		02~12P	5EHDKPM-XXP		02~12P	Accessories			EHDK1		P68					
Technical Data	UL	IEC																																																			
Rated voltage	300V	600V																																																			
Rated current	15A	18A																																																			
Rated impulse voltage		4KV																																																			
Number of Positions																																																					
5EHDK-XXP/1.0		02~12P																																																			
5EHDK-XXP/1.2		02~12P																																																			
5EHDK-XXP/1.4		02~12P																																																			
5EHDK-XXP/1.6		02~12P																																																			
5EHDKM-XXP/1.0		02~12P																																																			
5EHDKM-XXP/1.2		02~12P																																																			
5EHDKM-XXP/1.4		02~12P																																																			
5EHDKM-XXP/1.6		02~12P																																																			
5EHDKPM-XXP		02~12P																																																			
Accessories																																																					
EHDK1		P68																																																			
		5EHDKM-XXP/1.0	5EHDKM-XXP/1.2	5EHDKM-XXP/1.4	5EHDKM-XXP/1.6																																																
5.08mm		2EHDP-XXP	2EHDPN-XXP	7.62mm	ECHP762V-XXP																																																
<table border="1"> <tr><th>Technical Data</th><th>UL</th><th>IEC</th></tr> <tr><td>Rated voltage</td><td>300V</td><td>630V</td></tr> <tr><td>Rated current</td><td>15A</td><td>18A</td></tr> <tr><td>Rated impulse voltage</td><td></td><td>4KV</td></tr> <tr><td colspan="3">Number of Positions</td></tr> <tr><td>2EHDP-XXP</td><td></td><td>02~24P</td></tr> <tr><td>2EHDPN-XXP</td><td></td><td>02~24P</td></tr> <tr><td colspan="3">Accessories</td></tr> <tr><td>EHDK1</td><td></td><td>P68</td></tr> </table>	Technical Data	UL	IEC	Rated voltage	300V	630V	Rated current	15A	18A	Rated impulse voltage		4KV	Number of Positions			2EHDP-XXP		02~24P	2EHDPN-XXP		02~24P	Accessories			EHDK1		P68																										
Technical Data	UL	IEC																																																			
Rated voltage	300V	630V																																																			
Rated current	15A	18A																																																			
Rated impulse voltage		4KV																																																			
Number of Positions																																																					
2EHDP-XXP		02~24P																																																			
2EHDPN-XXP		02~24P																																																			
Accessories																																																					
EHDK1		P68																																																			

Tape & Reel Packaging



PCB Headers are delivered in tape-on-reel packaging according to IEC 60283-3 allowing for easy integration into automated assembly in the reflow process.

For 3.50 / 3.81 / 5.0 / 5.08 / 7.62 mm Pitches

- Part number contains letter "L" means its suitable for reflow process (e.g., 0156-24XXLWR, this item is suitable for reflow process.)
- Part number without "L" means it's suitable for wave soldering
- For headers with plug-in direction vertical to The PCB, pick up cap is included

Embossed Tape and Reel is used to facilitate automatic pick and place equipment feed requirements. The tape is used as the shipping container for various products and requires a minimum of handling. The antistatic/conductive tape provides a secure cavity for the product when sealed with the "peel-back" cover tape.



Pick up cap for vertical socket/header



T & R packaging in antistatic material



Customized tape, tube magazine packing by request

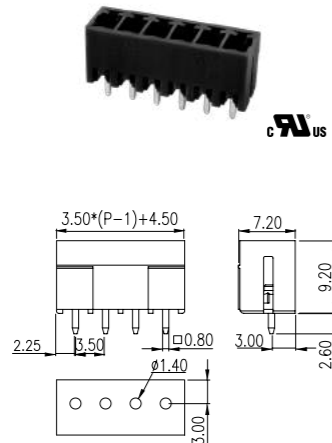
3.50mm			0156-26XX-BK-WR 0156-26XXLWR	0156-25XX-BK-WR 0156-25XXLWR	0156-29XX-BK-WR 0156-29XXLWR
Technical Data	UL	IEC			
Rated voltage	150V	320V			
Rated current	10A	10A			
Rated impulse voltage		2.5KV			
Number of Positions					
0156-20XX-BK-WR		04~32P			
0156-20XXLWR		04~32P			
0156-21XX-BK-WR		04~32P			
0156-21XXLWR		04~32P			
0156-24XX-BK-WR		04~28P			
0156-24XXLWR		04~28P			
0156-25XX-BK-WR		04~36P			
0156-25XXLWR		04~36P			
0156-26XX-BK-WR		04~32P			
0156-26XXLWR		04~32P			
0156-29XX-BK-WR		04~32P			
0156-29XXLWR		04~32P			
* The last suffix "L" of part number represents THR version					
3.50mm			0156-21XX-BK-WR 0156-21XXLWR	0156-20XX-BK-WR 0156-20XXLWR	0156-24XX-BK-WR 0156-24XXLWR
Technical Data	UL	IEC			
Rated voltage	150V	320V			
Rated current					
Number of Positions					
0159-11XXWR		04~36P			
0159-11XXLWR		04~36P			
0159-12XXWR		04~36P			
0159-12XXLWR		04~36P			
0159-13XXWR		04~40P			
0159-13XXLWR		04~40P			
0159-31XXWR		04~40P			
0159-31XXLWR		04~40P			
0159-32XXWR		04~40P			
0159-32XXLWR		04~40P			
0159-33XXWR		04~40P			
0159-33XXLWR		04~40P			
* The last suffix "L" of part number represents THR version					
3.50mm			0159-11XXWR 0159-11XXLWR	0159-31XXWR 0159-31XXLWR	0159-13XXWR 0159-13XXLWR
Technical Data	UL	IEC			
Rated voltage	150V	320V			
Rated current					
Number of Positions					
0159-11XXWR		04~36P			
0159-11XXLWR		04~36P			
0159-12XXWR		04~36P			
0159-12XXLWR		04~36P			
0159-13XXWR		04~40P			
0159-13XXLWR		04~40P			
0159-31XXWR		04~40P			
0159-31XXLWR		04~40P			
0159-32XXWR		04~40P			
0159-32XXLWR		04~40P			
0159-33XXWR		04~40P			
0159-33XXLWR		04~40P			
* The last suffix "L" of part number represents THR version					
3.50mm			0159-12XXWR 0159-12XXLWR	0159-32XXWR 0159-32XXLWR	0159-33XXWR 0159-33XXLWR
Technical Data	UL	IEC			
Rated voltage	150V	320V			
Rated current					
Number of Positions					
0159-11XXWR		04~36P			
0159-11XXLWR		04~36P			
0159-12XXWR		04~36P			
0159-12XXLWR		04~36P			
0159-13XXWR		04~40P			
0159-13XXLWR		04~40P			
0159-31XXWR		04~40P			
0159-31XXLWR		04~40P			
0159-32XXWR		04~40P			
0159-32XXLWR		04~40P			
0159-33XXWR		04~40P			
0159-33XXLWR		04~40P			
* The last suffix "L" of part number represents THR version					

3.50mm

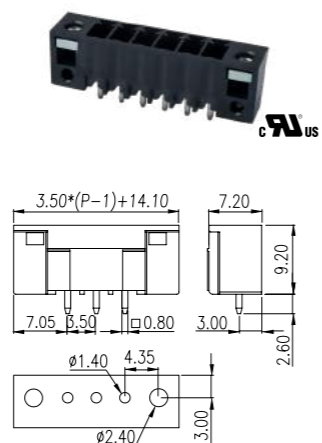
Technical Data	UL	IEC
Rated voltage	150V	320V
Rated current	10A	10A
Rated impulse voltage		2.5KV
Number of Positions		
ECH350V-XXPWR	02~18P	
ECH350V-XXPLWR	02~18P	
ECH350R-XXPWR	02~16P	
ECH350R-XXPLWR	02~16P	
ECH350RR-XXPWR	02~17P	
ECH350RR-XXPLWR	02~18P	
ECH350VM-XXPWR	02~18P	
ECH350VM-XXPLWR	02~16P	
ECH350RM-XXPWR	02~16P	
ECH350RM-XXPLWR	02~18P	
ECH350RRM-XXPWR	02~18P	
ECH350RRM-XXPLWR	02~16P	
ECH350T-XXPLWR	02~16P	
ECH352RT-XXPLWR	02~16P	
Accessories		
ECHK1	P68	

* The last suffix "L" of part number represents THR version

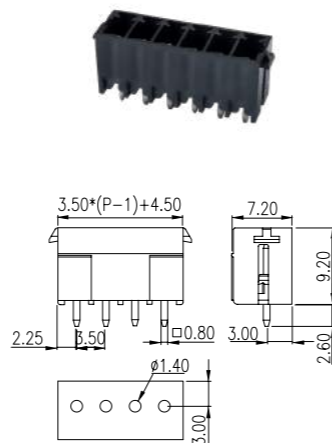
ECH350V-XXPWR ECH350V-XXPLWR



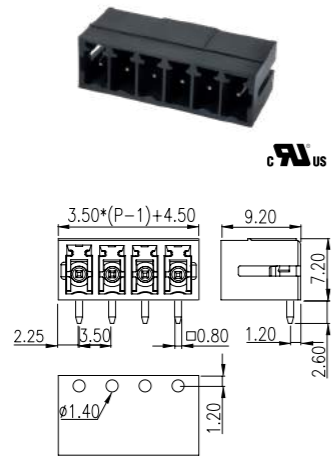
ECH350VM-XXPWR ECH350VM-XXPLWR



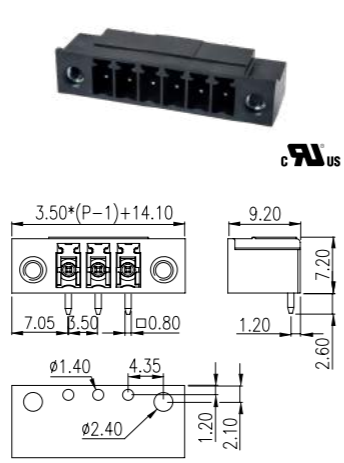
ECH350VT-XXPLWR



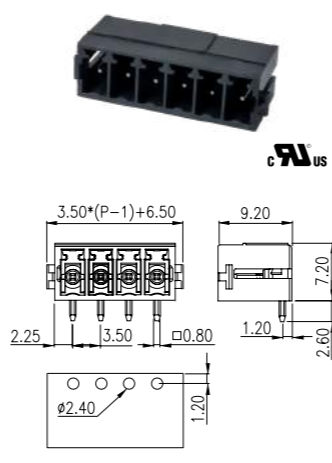
ECH350R-XXPWR ECH350R-XXPLWR



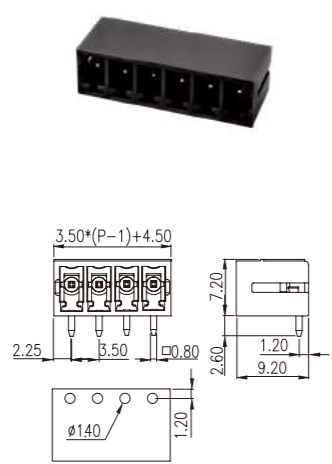
ECH350RM-XXPWR ECH350RM-XXPLWR



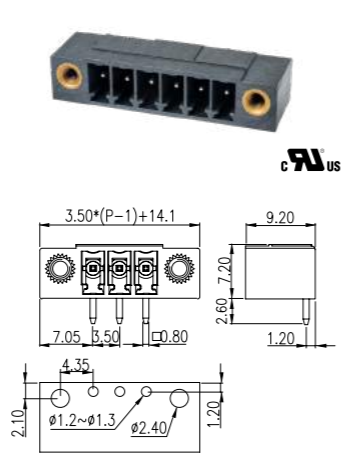
ECH350RT-XXPLWR



ECH350RR-XXPWR ECH350RR-XXPLWR



ECH350RRM-XXPWR ECH350RRM-XXPLWR

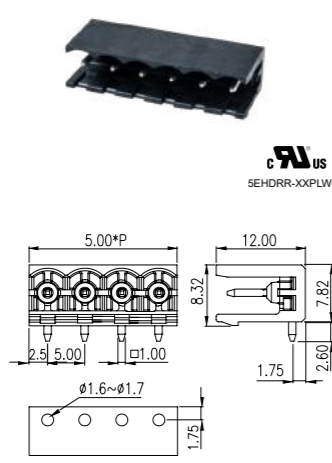


5.00mm

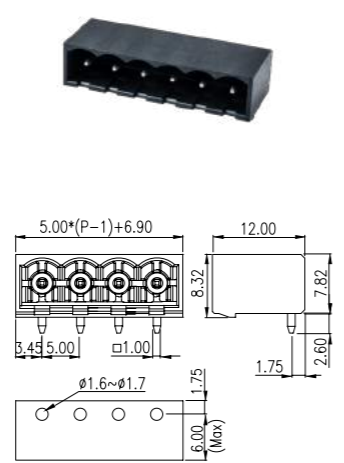
Technical Data	UL	IEC
Rated voltage	300V	600V
Rated current	15A	18A
Rated impulse voltage		4KV
Number of Positions		
5EHDRR-XXPWR	02~13P	
5EHDRR-XXPLWR	02~13P	
5EHDRRC-XXPWR	02~11P	
5EHDRRC-XXPLWR	02~11P	
5EHDRRM-XXPLWR	02~11P	
Accessories		
EHDK1	P68	

* The last suffix "L" of part number represents THR version

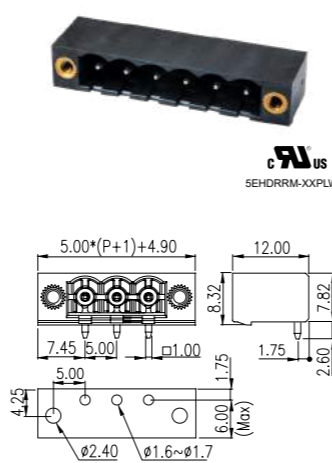
5EHDRR-XXPWR 5EHDRR-XXPLWR



5EHDRRC-XXPWR 5EHDRRC-XXPLWR



5EHDRRM-XXPLWR

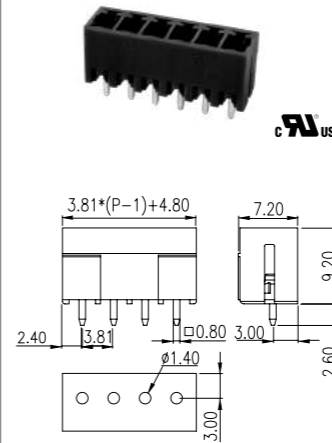


3.81mm

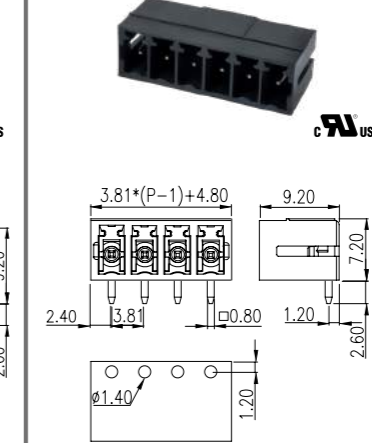
Technical Data	UL	IEC
Rated voltage	300V	320V
Rated current	8A	14A
Rated impulse voltage		2.5KV
Number of Positions		
ECH381V-XXPWR	02~17P	
ECH381V-XXPLWR	02~17P	
ECH381VM-XXPWR	02~14P	
ECH381VM-XXPLWR	02~14P	
ECH381R-XXPWR	02~16P	
ECH381R-XXPLWR	02~16P	
ECH381RM-XXPWR	02~14P	
ECH381RM-XXPLWR	02~14P	
ECH381RR-XXPWR	02~16P	
ECH381RR-XXPLWR	02~16P	
ECH381RRM-XXPWR	02~14P	
ECH381RRM-XXPLWR	02~14P	

* The last suffix "L" of part number represents THR version

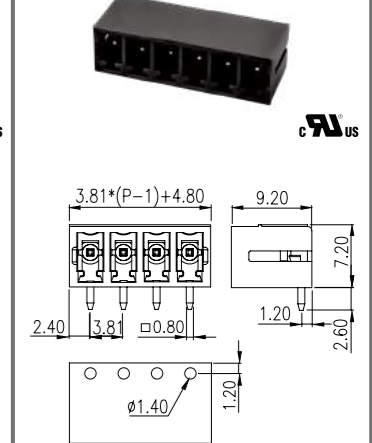
ECH381V-XXPWR ECH381V-XXPLWR



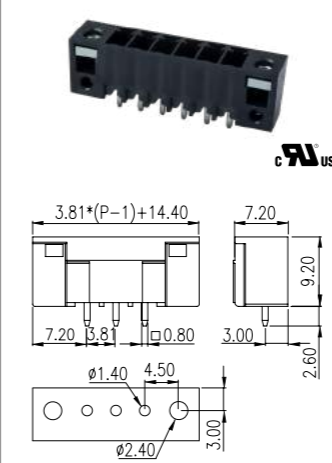
ECH381R-XXPWR ECH381R-XXPLWR



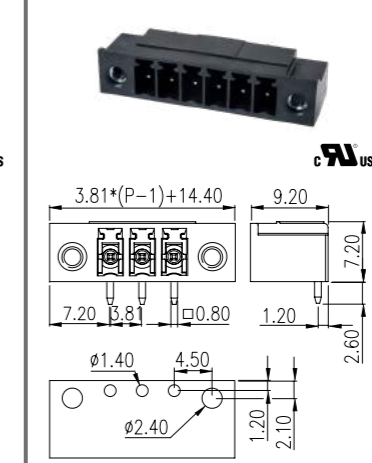
ECH381RR-XXPWR ECH381RR-XXPLWR



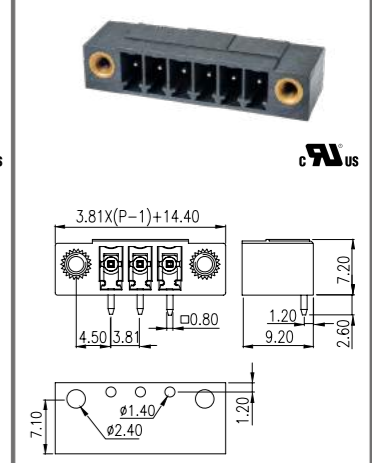
ECH381VM-XXPWR ECH381VM-XXPLWR



ECH381RM-XXPWR ECH381RM-XXPLWR



ECH381RRM-XXPWR ECH381RRM-XXPLWR



5.00mm

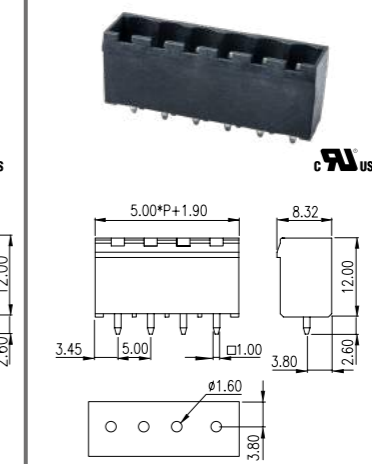
Technical Data	UL	IEC
Rated voltage	300V	600V
Rated current	15A	16A
Rated impulse voltage		4KV
Number of Positions		
5EHDV-XXPWR	02~13P	
5EHDV-XXPLWR	02~13P	
5EHDVC-XXPWR	02~12P	
5EHDVC-XXPLWR	02~12P	
5EHDVM-XXPWR	02~11P	
5EHDVM-XXPLWR	02~11P	
5EHDR-XXPWR	02~13P	
5EHDR-XXPLWR	02~13P	
5EHDRC-XXPWR	02~11P	
5EHDRC-XXPLWR	02~11P	
5EHDVM-XXPWR	02~11P	
5EHDVM-XXPLWR	02~11P	
Accessories		
EHDK1	P68	

* The last suffix "L" of part number represents THR version

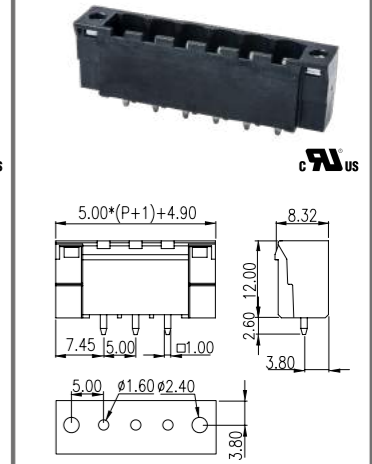
5EHDV-XXPWR 5EHDV-XXPLWR



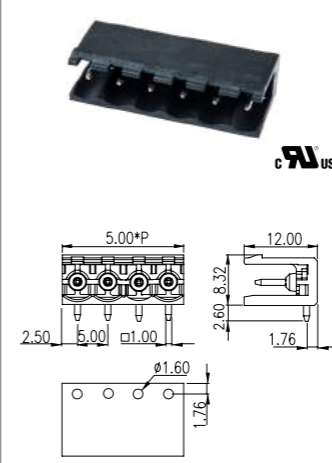
5EHDVC-XXPWR 5EHDVC-XXPLWR



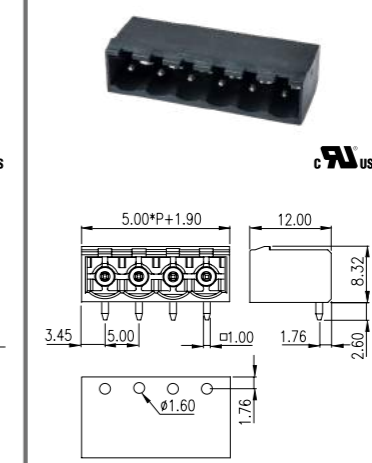
5EHDVM-XXPWR 5EHDVM-XXPLWR



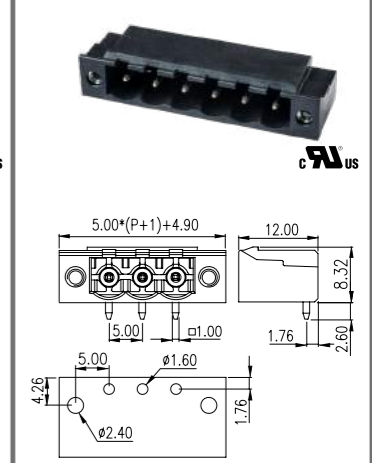
5EHDR-XXPWR 5EHDR-XXPLWR



5EHDRC-XXPWR 5EHDRC-XXPLWR



5EHDVM-XXPWR 5EHDVM-XXPLWR



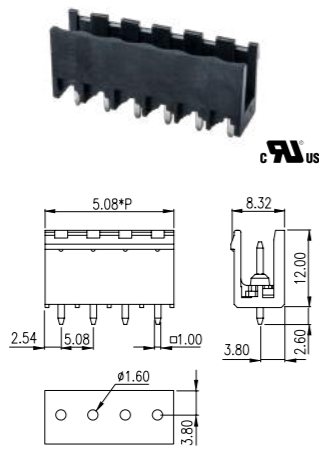
5.08mm

Technical Data	UL	IEC
Rated voltage	300V	630V
Rated current	15A / 20A	18A
Rated impulse voltage		4KV
Number of Positions		
2EHDV-XXPWR	02~12P	
2EHDV-XXPLWR	02~12P	
2EHDVC-XXPWR	02~12P	
2EHDVC-XXPLWR	02~12P	
2EHDVM-XXPWR	02~10P	
2EHDVM-XXPLWR	02~10P	
2EHDR-XXPWR	02~13P	
2EHDR-XXPLWR	02~13P	
2EHDR-XXPWR	02~11P	
2EHDR-XXPLWR	02~11P	
2EHDRM-XXPWR	02~11P	
2EHDRM-XXPLWR	02~11P	

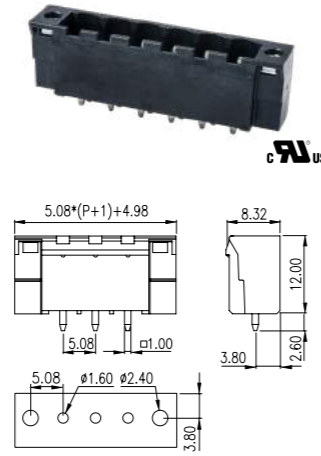
Accessories	
EHDK1	P68

* The last suffix "L" of part number represents THR version

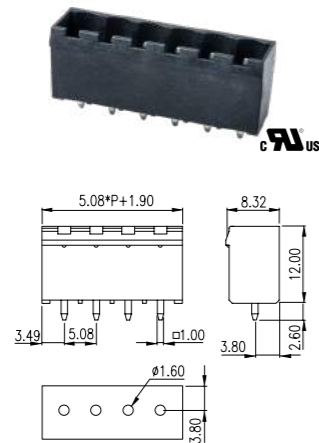
2EHDV-XXPWR 2EHDV-XXPLWR



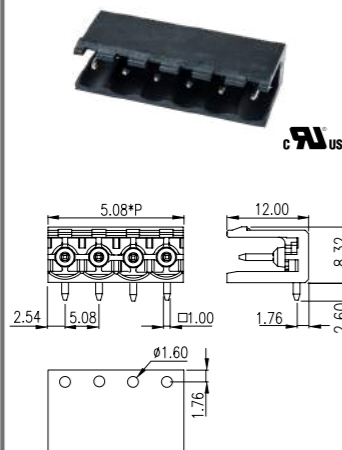
2EHDVM-XXPWR 2EHDVM-XXPLWR



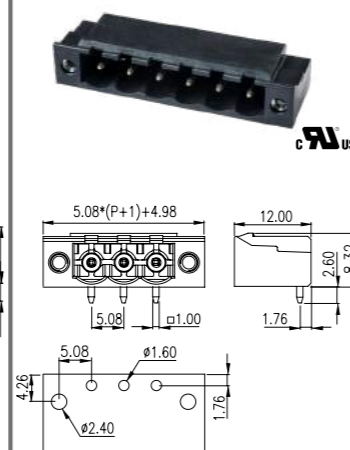
2EHDVC-XXPWR 2EHDVC-XXPLWR



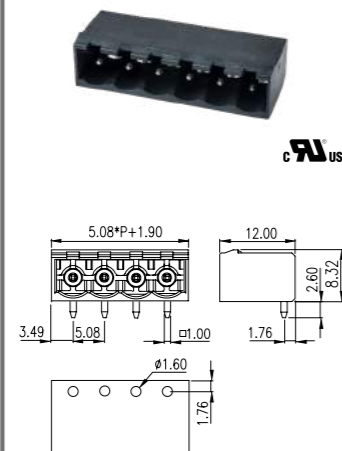
2EHDR-XXPWR 2EHDR-XXPLWR



2EHDRM-XXPWR 2EHDRM-XXPLWR



2EHDR-XXPWR 2EHDR-XXPLWR

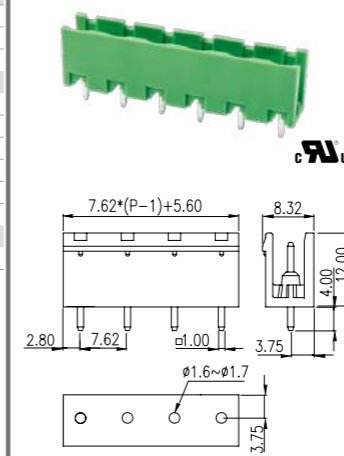


7.62mm

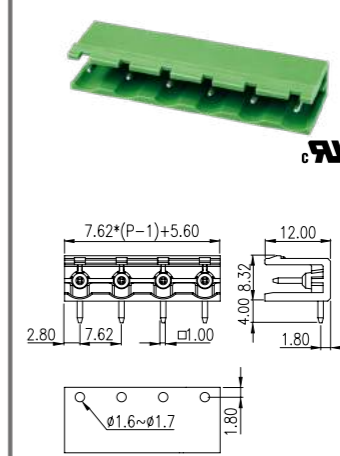
Technical Data	UL	IEC
Rated voltage	300V	800V
Rated current	15A	18A
Rated impulse voltage		6KV
Number of Positions		
3EHDV-XXPWR	02~08P	
3EHDVC-XXPWR	02~08P	
3EHDVM-XXPWR	02~07P	
3EHDR-XXPWR	02~09P	
3EHDR-XXPWR	02~07P	
3EHDRM-XXPWR	02~07P	

Accessories	
EHDK1	P68

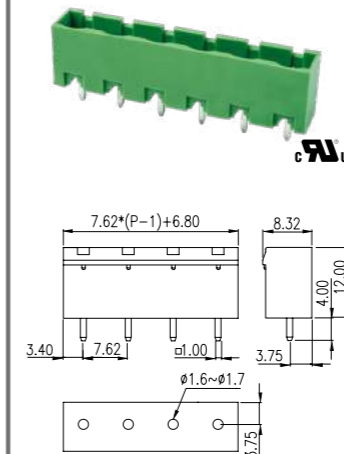
3EHDV-XXPWR



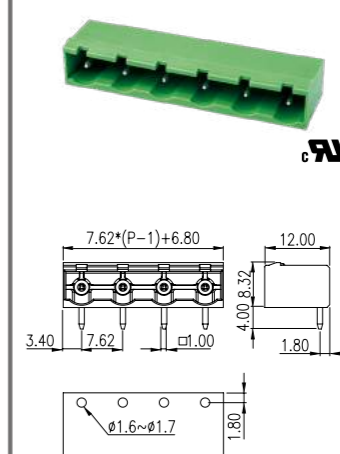
3EHDR-XXPWR



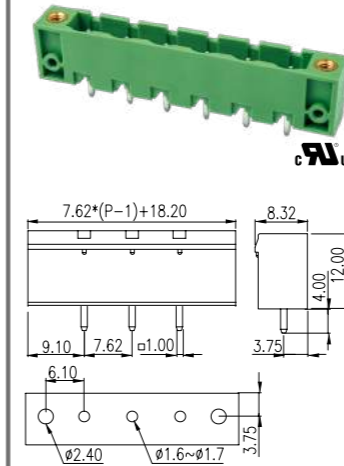
3EHDVC-XXPWR



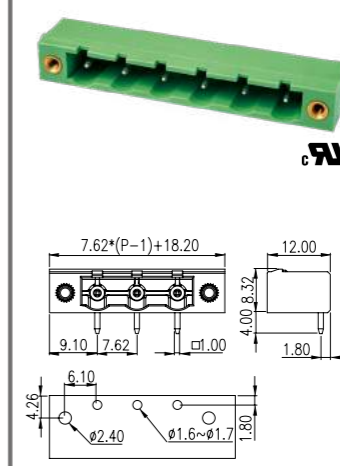
3EHDR-XXPWR



3EHDVM-XXPWR



3EHDRM-XXPWR

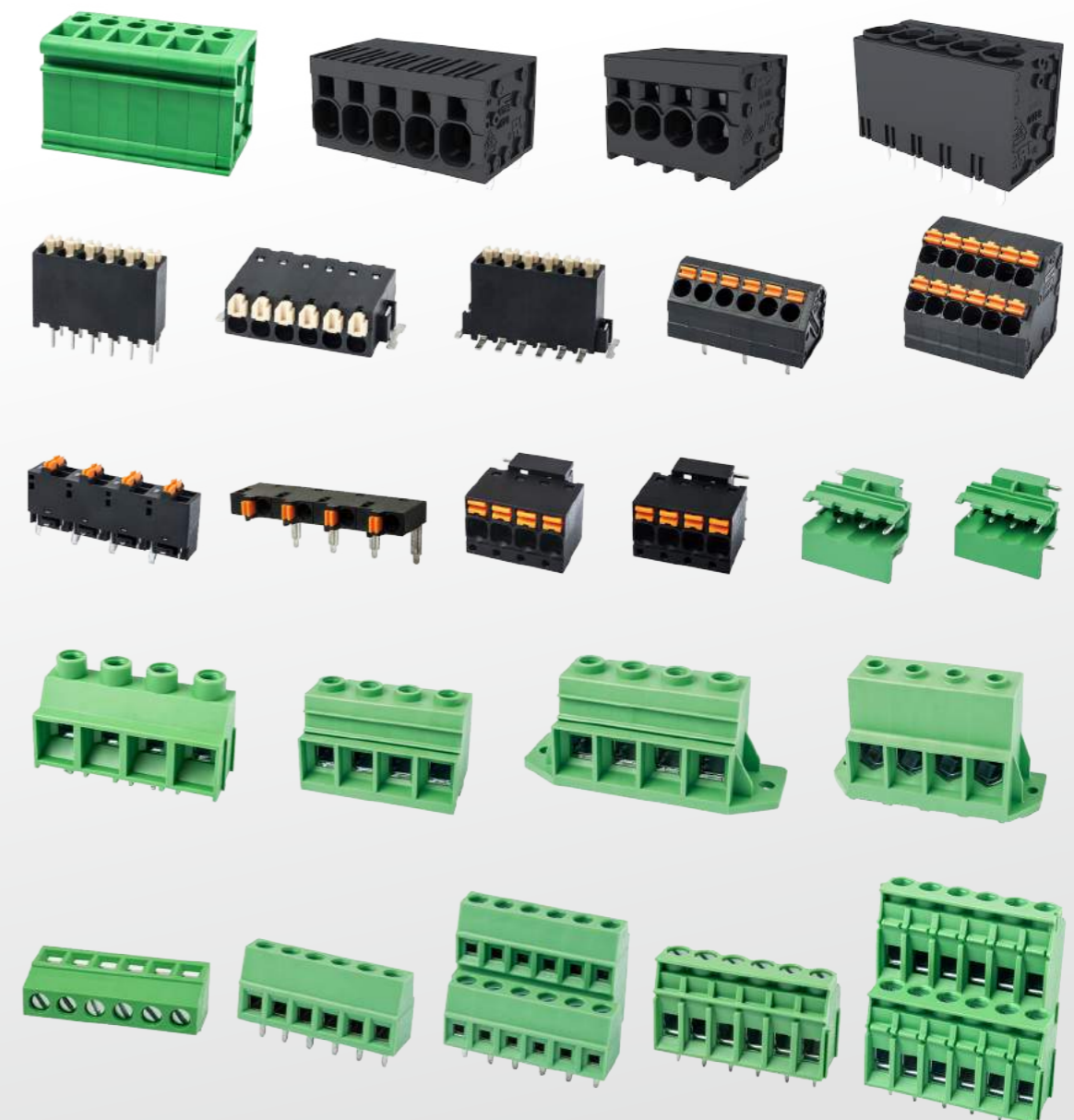


PCB Terminal Blocks

Dinkle PCB terminal blocks include 2.5 mm pitch miniature PCB terminals and max. 20 mm pitch terminals in both metric and imperial pitch. All product is compatible to standards UL1059 and IEC/EN60947-7-4 with safety approvals.

Provide suitable terminal blocks for your application, especially in the field of process interface, automation components and frequency converters.

Dinkle PCB terminal block products can meet your needs always. Provide you with different connection solutions for various manufacturing processes, such as push-in, Screw and spring clamp connection technologies. Makes PCB assembly efficiently and reliably.




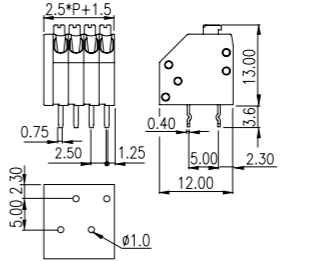

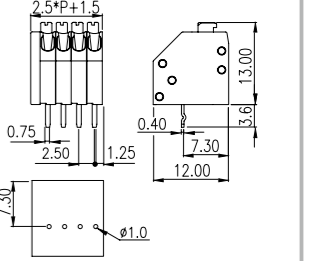
PID (Push-in Design) PCB Terminal Blocks


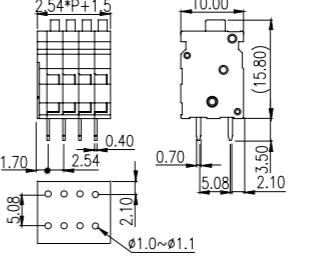

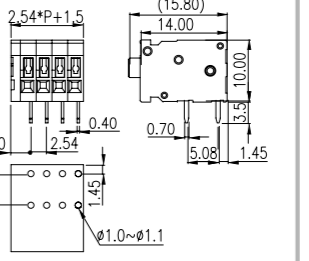



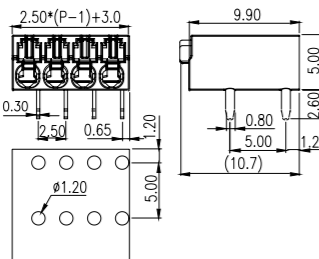

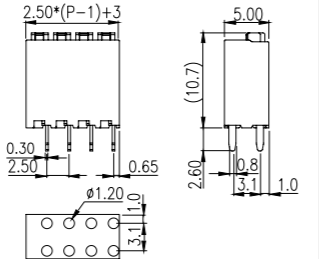
Connection method: Push-in connection
Pitch: 2.50mm / 2.54mm / 3.50mm / 3.81mm / 5.00mm / 5.08mm
UL Rated: 150V/5A~ 300V/10A
IEC Rated: 130V/6A~ 450V/17.5A


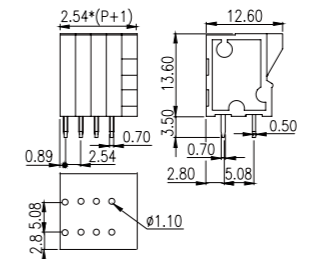

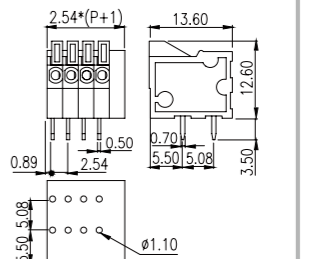
- Push-in connection single and double level PCB terminal blocks
- Horizontal, vertical and 45 degrees plug-in directions
- Versions with support pin for additional stability on PCB
- Color identification for each individual pole is available by request


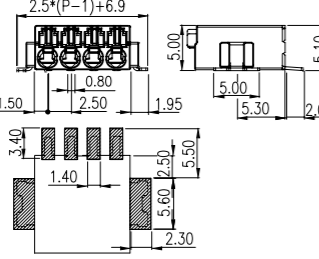

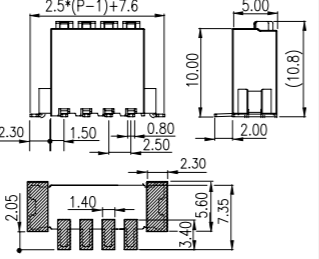
The Push-in design adopts specially designed spring technology which allows fast and easy wiring free of tool. The structure is rigid, durable and takes moderate force to release the wire with a screwdriver.


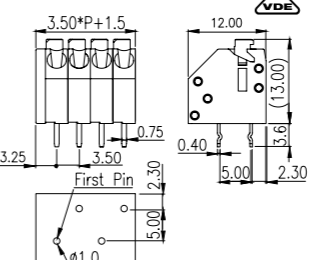

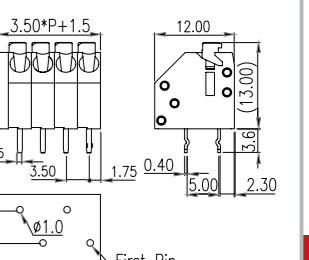
2.50mm		0136-10XX		2.50mm		0136-11XX	
Technical Data	UL	IEC	 	 	Technical Data	UL	IEC
Rated voltage	300V	250V			Rated voltage	150V	130V
Rated current	2A	2A			Rated current	2A	2A
Solid (AWG/mm ²)	28~20	0.2~0.5			Solid (AWG/mm ²)	28~20	0.2~0.5
Flexible (AWG/mm ²)		0.5			Flexible (AWG/mm ²)		0.5
Rated impulse voltage		4KV			Rated impulse voltage		2.5KV
Wire strip length	8~9mm		Wire strip length	8~9mm			
Number of Positions			Number of Positions				
0136-10XX			02~24P				
0136-11XX			02~24P				

2.54mm		0138-10XX		0138-11XX			
Technical Data	UL	IEC	 	 	Technical Data	UL	IEC
Rated voltage	150V	130V			Rated voltage	150V	130V
Rated current	5A	6A			Rated current	5A	6A
Solid (AWG/mm ²)	28~20	0.2~0.5			Solid (AWG/mm ²)	28~20	0.2~0.5
Flexible (AWG/mm ²)		0.2~0.5			Flexible (AWG/mm ²)		0.2~0.5
Rated impulse voltage		2.5KV			Rated impulse voltage		2.5KV
Wire strip length	10~11mm		Wire strip length	10~11mm			
Number of Positions			Number of Positions				
0138-10XX			02~24P				
0138-11XX			02~24P				

2.50mm		0188-01XXL		0188-02XXL			
Technical Data	UL	IEC	 	 	Technical Data	UL	IEC
Rated voltage	150V	160V			Rated voltage	150V	160V
Rated current	5A	6A			Rated current	5A	6A
Solid (AWG/mm ²)	26~18	0.2~0.5			Solid (AWG/mm ²)	26~18	0.2~0.5
Flexible (AWG/mm ²)	26~18	0.2~0.5			Flexible (AWG/mm ²)	26~18	0.2~0.5
Rated impulse voltage		2.5KV			Rated impulse voltage		2.5KV
Wire strip length	7~8mm		Wire strip length	7~8mm			
Number of Positions			Number of Positions				
0188-01XXL			02~20P				
0188-02XXL			02~20P				
0188-01XXSMD			02~20P				
0188-02XXSMD			02~20P				

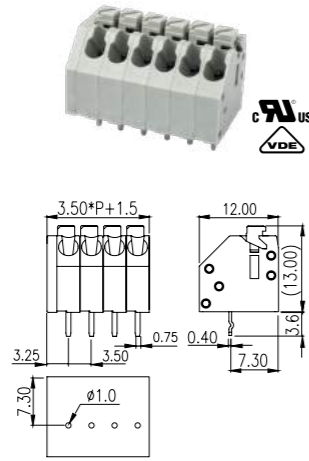
2.54mm		141V-XXP		141R-XXP			
Technical Data	UL	IEC	 	 	Technical Data	UL	IEC
Rated voltage	150V	160V			Rated voltage	150V	160V
Rated current	5A	6A			Rated current	5A	6A
Solid (AWG/mm ²)	26~20	0.2~0.5			Solid (AWG/mm ²)	26~20	0.2~0.5
Flexible (AWG/mm ²)	26~20	0.2~0.5			Flexible (AWG/mm ²)	26~20	0.2~0.5
Rated impulse voltage		2.5KV			Rated impulse voltage		2.5KV
Wire strip length	10~11mm		Wire strip length	10~11mm			
Number of Positions			Number of Positions				
141V-XXP			01~24P				
141R-XXP			01~24P				

2.50mm		0188-01XXSMD		0188-02XXSMD			
Technical Data	UL	IEC	 	 	Technical Data	UL	IEC
Rated voltage	150V	160V			Rated voltage	150V	160V
Rated current	5A	6A			Rated current	5A	6A
Solid (AWG/mm ²)	26~18	0.2~0.5			Solid (AWG/mm ²)	26~18	0.2~0.5
Flexible (AWG/mm ²)	26~18	0.2~0.5			Flexible (AWG/mm ²)	26~18	0.2~0.5
Rated impulse voltage		2.5KV			Rated impulse voltage		2.5KV
Wire strip length	7~8mm		Wire strip length	7~8mm			
Number of Positions			Number of Positions				
0188-01XXSMD			02~20P				
0188-02XXSMD			02~20P				

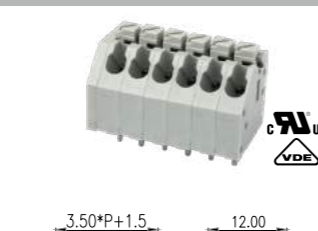
3.50mm		0136-20XX		3.50mm		0136-23XX	
Technical Data	UL	IEC	 	 	Technical Data	UL	IEC
Rated voltage	300V	250V			Rated voltage	300V	400V
Rated current	6A	8A			Rated current	6A	8A
Solid (AWG/mm ²)	28~16	0.2~0.75			Solid (AWG/mm ²)	28~16	0.2~0.75
Flexible (AWG/mm ²)		0.5~0.75			Flexible (AWG/mm ²)		0.5~0.75
Rated impulse voltage		4KV			Rated impulse voltage		4KV
Wire strip length	8~9mm		Wire strip length	8~9mm			
Number of Positions			Number of Positions				
0136-20XX			02~24P				
0136-23XX			02~24P				

3.50mm

Technical Data	UL	IEC
Rated voltage	300V	130V
Rated current	6A	8A
Solid (AWG/mm ²)	28~16	0.2~0.75
Flexible (AWG/mm ²)		0.5~0.75
Rated impulse voltage	2.5KV	
Wire strip length	8~9mm	
Number of Positions		
0136-21XX	02~24P	
0136-22XX	02~24P	

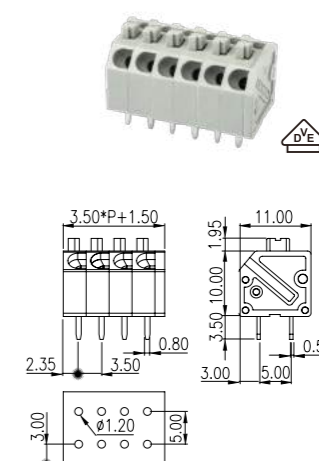


0136-22XX

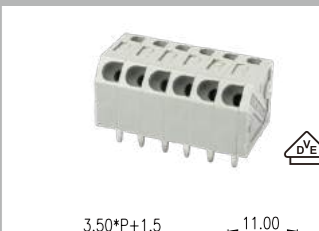


3.50mm

Technical Data	UL	IEC
Rated voltage	300V	160V
Rated current	5A	17.5A
Solid (AWG/mm ²)	26~16	0.2~1.5
Flexible (AWG/mm ²)	24~20	0.2~1.5
Rated impulse voltage	2.5KV	
Wire strip length	9~10mm	
Number of Positions		
0137-40XX	02~24P	
0137-41XX	02~24P	

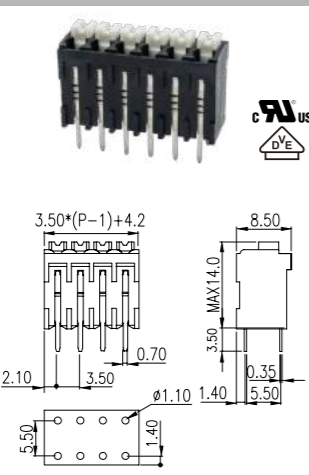


0137-41XX

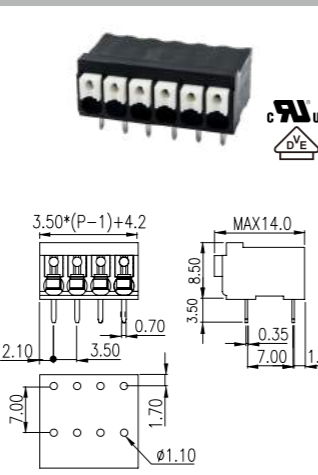


3.50mm

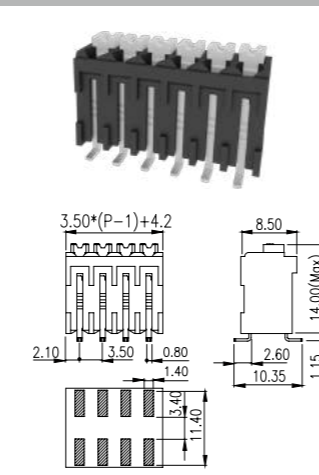
Technical Data	UL	IEC
Rated voltage	300V	160V
Rated current	12A	17.5A
Solid (AWG/mm ²)	28~16	0.2~1.5
Flexible (AWG/mm ²)	28~16	0.2~1.5
Rated impulse voltage	2.5KV	
Wire strip length	8~9mm	
Number of Positions		
0138-50XX	02~24P	
0138-50XXL	02~24P	
0138-51XX	02~24P	
0138-51XXL	02~24P	
0138-50XXSMD	02~12P	



0138-51XX

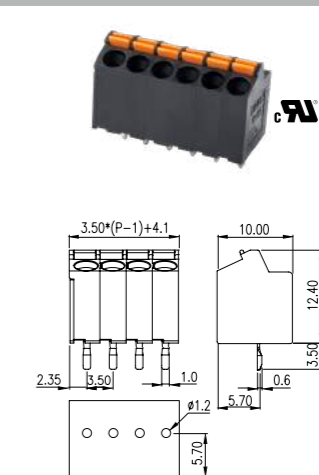


0138-50XXSMD

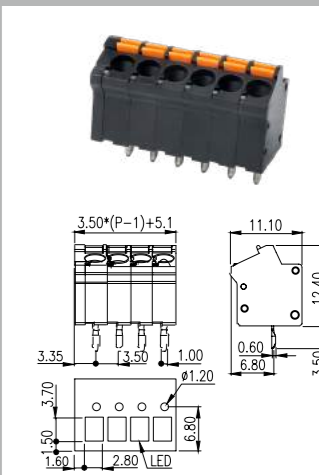


3.50mm

Technical Data	UL	IEC
Rated voltage	300V	200V
Rated current	10A	14A
Solid (AWG/mm ²)	26~16	0.2~1.5
Flexible (AWG/mm ²)	26~16	0.2~1.5
Rated impulse voltage	2.5KV	
Wire strip length	8~9mm	
Number of Positions		
0185-11XX	02~24P	
0185-12XX	02~24P	

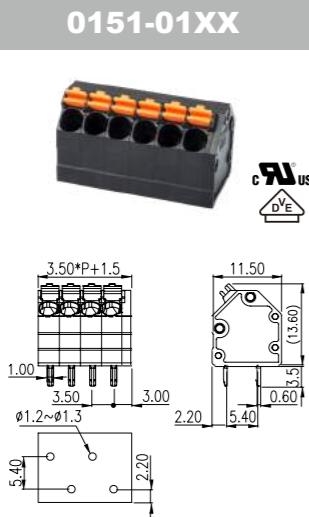


0185-12XX

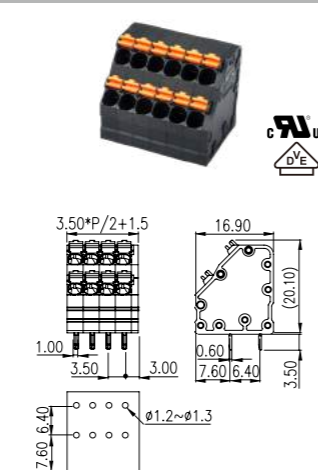


3.50mm

Technical Data	UL	IEC
Rated voltage	300V	320V
Rated current	9A	14A
Solid (AWG/mm ²)	28~16	0.2~1.5
Flexible (AWG/mm ²)	28~16	0.2~1.5
Rated impulse voltage	4KV	
Wire strip length	9~10mm	
Number of Positions		
0151-01XX	02~24P	
0151-02XX	04~48P	

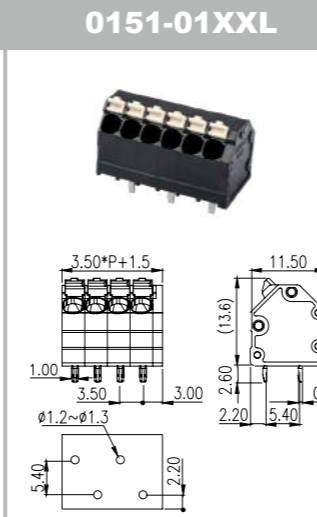


0151-02XX



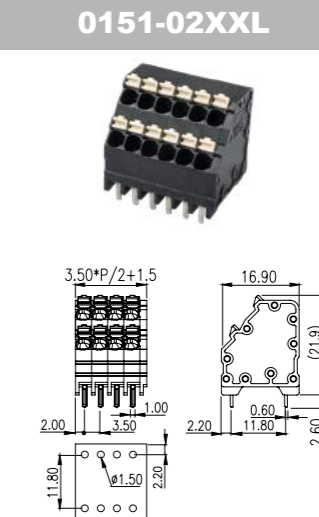
3.50mm

Technical Data	UL	IEC
Rated voltage	300V	320V
Rated current	9A	14A
Solid (AWG/mm ²)	28~16	0.2~1.5
Flexible (AWG/mm ²)	28~16	0.2~1.5
Rated impulse voltage	4KV	
Wire strip length	9~10mm	
Number of Positions		
0151-01XXL	02~24P	



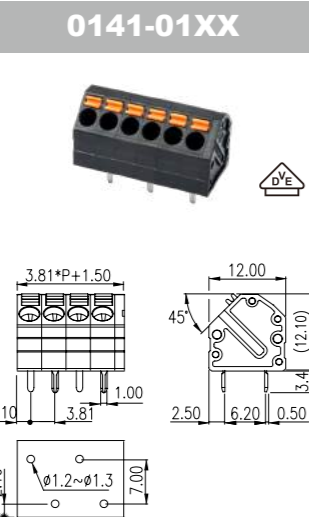
3.50mm

Technical Data	UL	IEC
Rated voltage	300V	160V
Rated current	10A	14A
Solid (AWG/mm ²)	28~16	0.2~1.5
Flexible (AWG/mm ²)	28~16	0.2~1.5
Rated impulse voltage	2.5KV	
Wire strip length	9~10mm	
Number of Positions		
0151-02XXL	02~48P	

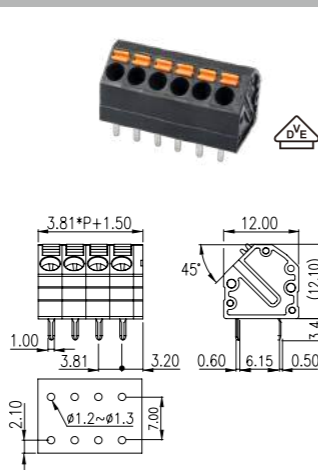


3.81mm

Technical Data	UL	IEC
Rated voltage	300V	320V
Rated current	10A	10A
Solid (AWG/mm ²)	26~16	0.2~1.5
Flexible (AWG/mm ²)	26~16	0.2~1.5
Rated impulse voltage	4KV	
Wire strip length	9~10mm	
Number of Positions		
0141-01XX	02~24P	
0141-22XX	02~24P	

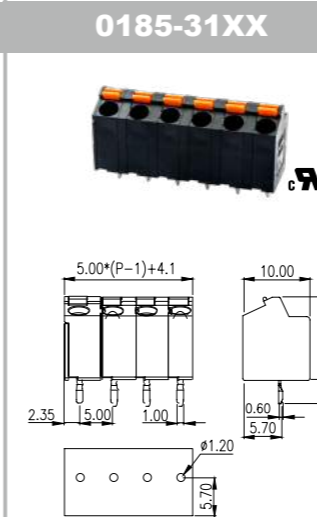


0141-22XX

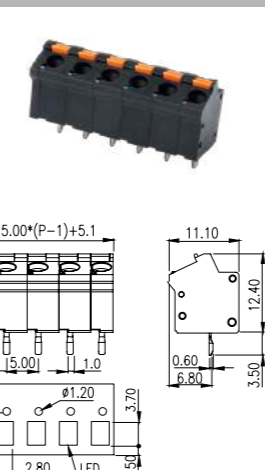


5.00mm

Technical Data	UL	IEC
Rated voltage	300V	320V
Rated current	10A	14A
Solid (AWG/mm ²)	26~16	0.2~1.5
Flexible (AWG/mm ²)	26~16	0.2~1.5
Rated impulse voltage	4KV	
Wire strip length	8~9mm	
Number of Positions		
0185-31XX	02~24P	
0185-32XX	02~20P	



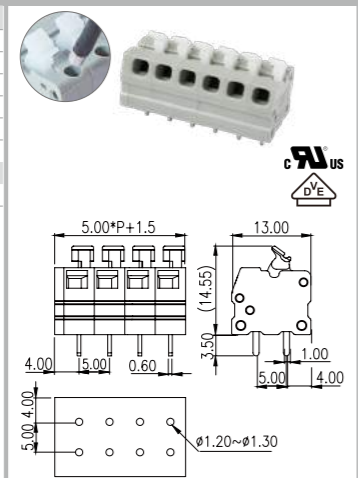
0185-32XX



5.00mm

Technical Data	UL	IEC
Rated voltage	300V	320V
Rated current	10A	17.5A
Solid (AWG/mm ²)	26~14	0.2~1.5
Flexible (AWG/mm ²)	26~16	0.2~1.5
Rated impulse voltage	4KV	
Wire strip length	9~10mm	
Number of Positions		
0137-11XX	02~24P	

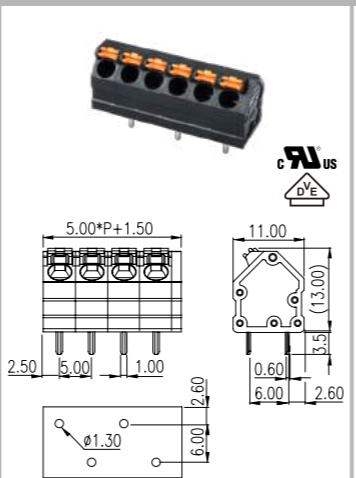
0137-11XX



5.00mm

Technical Data	UL	IEC
Rated voltage	300V	320V
Rated current	10A	17.5A
Solid (AWG/mm ²)	28~16	0.2~1.5
Flexible (AWG/mm ²)	28~16	0.2~1.5
Rated impulse voltage	4KV	
Wire strip length	8~9mm	
Number of Positions		
0152-01XX	02~24P	
0152-02XX	04~48P	

0152-01XX



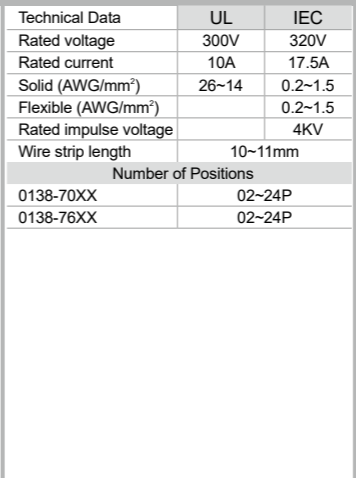
0152-02XX



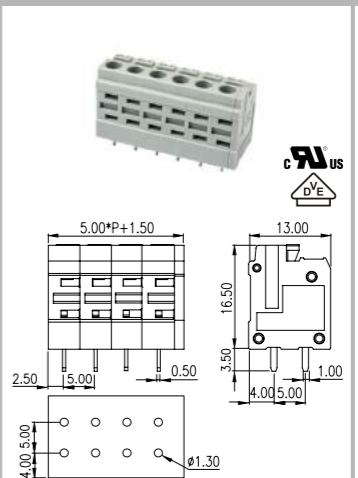
5.00mm

Technical Data	UL	IEC
Rated voltage	300V	320V
Rated current	10A	17.5A
Solid (AWG/mm ²)	26~14	0.2~1.5
Flexible (AWG/mm ²)	0.2~1.5	
Rated impulse voltage	4KV	
Wire strip length	10~11mm	
Number of Positions		
0138-70XX	02~24P	
0138-76XX	02~24P	

0138-70XX



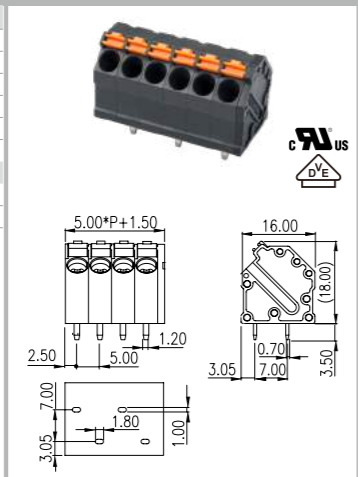
0138-76XX



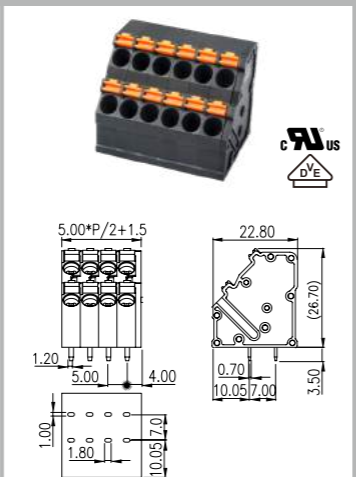
5.00mm

Technical Data	UL	IEC
Rated voltage	300V	320V
Rated current	20A	24A
Solid (AWG/mm ²)	24~12	0.2~2.5
Flexible (AWG/mm ²)	24~12	0.2~2.5
Rated impulse voltage	4KV	
Wire strip length	12~14mm	
Number of Positions		
0153-01XX	02~24P	
0153-02XX	04~48P	

0153-01XX



0153-02XX



5.00mm

Technical Data	UL	IEC
Rated voltage	300V	320V
Rated current	10A	13.5A
Solid (AWG/mm ²)	28~16	0.2~1.5
Flexible (AWG/mm ²)	28~16	0.2~1.5
Rated impulse voltage	4KV	
Wire strip length	8~9mm	
Number of Positions		
0188-12XXSMD	02~08P	

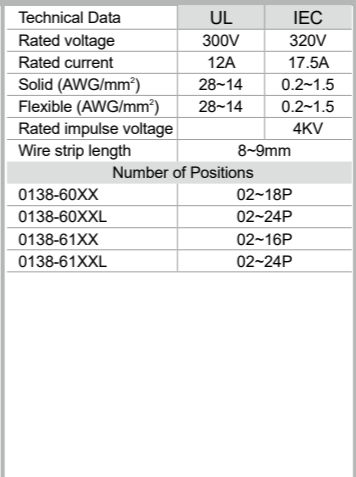
0188-12XXSMD



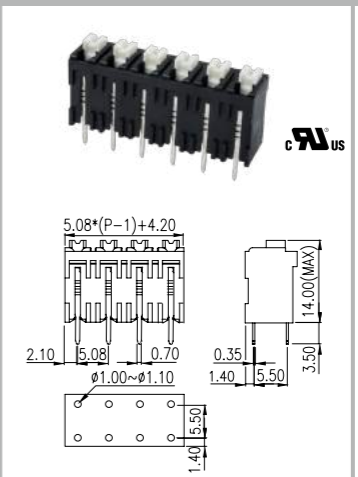
5.08mm

Technical Data	UL	IEC
Rated voltage	300V	320V
Rated current	12A	17.5A
Solid (AWG/mm ²)	28~14	0.2~1.5
Flexible (AWG/mm ²)	28~14	0.2~1.5
Rated impulse voltage	4KV	
Wire strip length	8~9mm	
Number of Positions		
0138-60XX	02~18P	
0138-60XXL	02~24P	
0138-61XX	02~16P	
0138-61XXL	02~24P	

0138-60XX



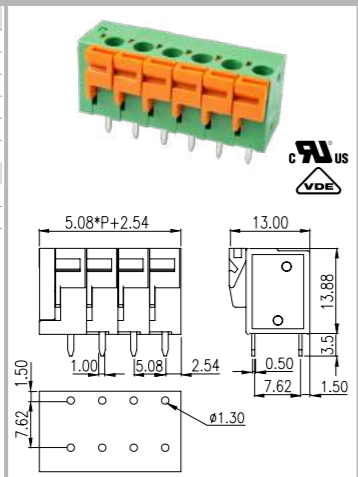
0138-61XX



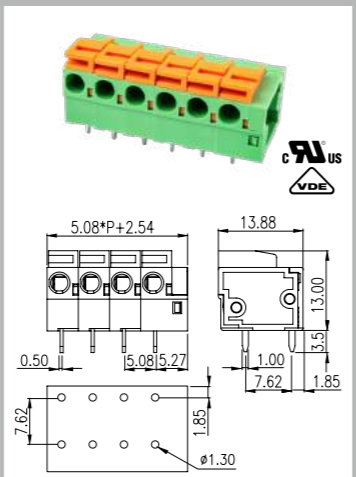
5.08mm

Technical Data	UL	IEC
Rated voltage	300V	450V
Rated current	10A	17.5A
Solid (AWG/mm ²)	22~14	0.5~1.5
Flexible (AWG/mm ²)	22~14	0.5~1.5
Rated impulse voltage	4KV	
Wire strip length	9~10mm	
Number of Positions		
142V-XXP	02~24P	
142R-XXP	02~24P	

142V-XXP



142R-XXP



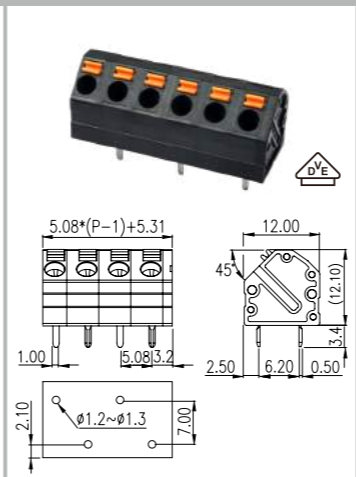
5.08mm

Technical Data	UL	IEC
Rated voltage	300V	320V
Rated current	10A	10A
Solid (AWG/mm ²)	26~16	0.2~1.5
Flexible (AWG/mm ²)	26~16	0.2~1.5
Rated impulse voltage	4KV	
Wire strip length	9~10mm	
Number of Positions		
141-21XX	02~24P	
141-24XX	02~24P	

0141-21XX



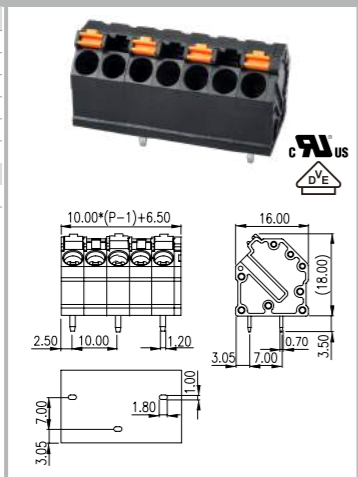
0141-24XX



10.00mm

Technical Data	UL	IEC
Rated voltage	600V	1000V
Rated current	20A	24A
Solid (AWG/mm ²)	24~12	0.2~2.5
Flexible (AWG/mm ²)	24~12	0.2~2.5
Rated impulse voltage	8KV	
Wire strip length	12~14mm	
Number of Positions		
0153-41XX	02~12P	

0153-41XX



Highlights

P-LUP family



The lever type handle meets ergonomic design, which makes operate easily and allow quickly wiring.

0275 & 0274 Series

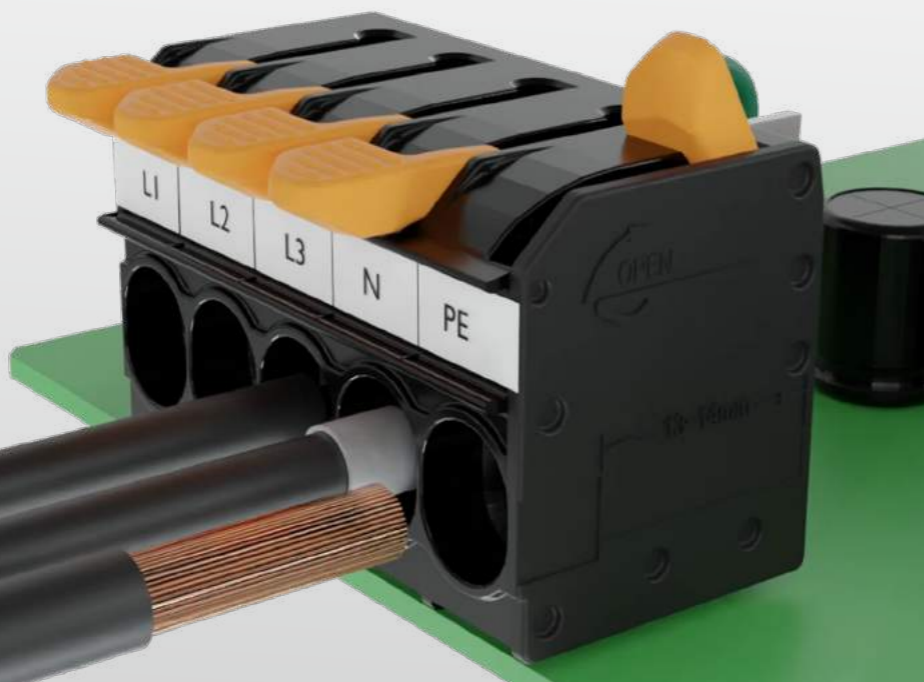
Connection method: Push-in connection

Pitch: 5.00 mm / 7.50 mm / 10.00 mm / 14.5 mm

UL Rated: 300V / 20A ~ 1000V / 66A

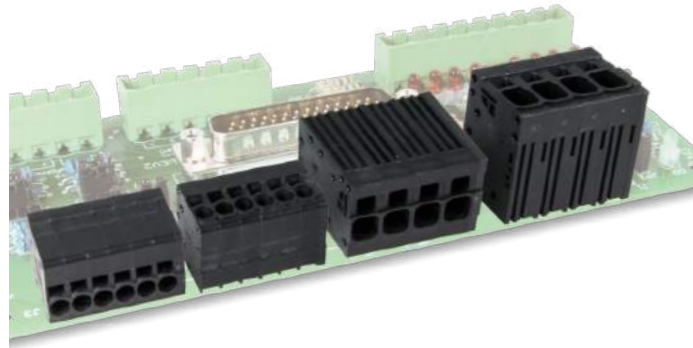
IEC Rated: 400V / 32A ~ 1000V / 76A

- P-LUP features a new lever up wiring structure for easier operation
- The PCB terminal block optimizes the operability of the lever up handle and maintains a high-reliability push-in connection. - Lever up PID connection makes the conductor be inserted into the terminal block without ferrules to implement reality tool free operation
- 0275 & 0274 Series are Equipped with test holes for users to check the continuity easily
- Suitable for charging piles and power transmission



5.00mm			0274-21XX			5.00mm			0275-21XX		
Technical Data	UL	IEC				Technical Data	UL	IEC			
Rated voltage	300V	400V	5.00*P+1.5			Rated voltage	300V	400V	5.00*(P-1)+6.5		
Rated current	20A	32A	16.30			Rated current	20A	32A	19.10		
Solid (AWG/mm ²)	24~12	0.2~4	15.90			Solid (AWG/mm ²)	24~12	0.2~4	19.10		
Flexible (AWG/mm ²)	24~12	0.2~4	2.70 5.00 1.00			Flexible (AWG/mm ²)	24~12	0.2~4	2.70 5.00 1.00		
Rated impulse voltage		4KV	0.80 3.50			Rated impulse voltage		4KV	0.80 3.50		
Wire strip length	10~12mm		5.20 8.20			Wire strip length	10~12mm		4.40 8.20		
Number of Positions			02~12P			Number of Positions			02~12P		
0274-21XX						0275-21XX					
5.00mm			0274-31XX			7.50mm			0274-32XX		
Technical Data	UL	IEC				Technical Data	UL	IEC			
Rated voltage	300V	630V	7.50*P+1			Rated voltage	600V	1000V	7.50*P+1		
Rated current	32A	41A	20.00			Rated current	32A	41A	20.00		
Solid (AWG/mm ²)	24~8	0.2~6	24.00			Solid (AWG/mm ²)	24~8	0.2~6	24.00		
Flexible (AWG/mm ²)	24~8	0.2~6	4.25 7.50 1.50			Flexible (AWG/mm ²)	24~8	0.2~6	4.25 7.50 1.50		
Rated impulse voltage		6KV	1.00 3.50			Rated impulse voltage		8KV	1.00 3.50		
Wire strip length	12~14mm		2.00 12.50			Wire strip length	12~14mm		2.00 12.50		
Number of Positions			02~12P			Number of Positions			02~12P		
0274-31XX						0274-32XX					
10.00mm			0274-41XX			10.00mm			0274-42XX		
Technical Data	UL	IEC				Technical Data	UL	IEC			
Rated voltage	300V	400V	10.00*P+1.45			Rated voltage	600V	1000V	10.00*P+1.45		
Rated current	51A	76A	26.60			Rated current	51A	76A	26.60		
Solid (AWG/mm ²)	18~4	0.75~16	31.90			Solid (AWG/mm ²)	18~4	0.75~16	31.90		
Flexible (AWG/mm ²)	18~4	0.75~16	3.60 10.00 1.20			Flexible (AWG/mm ²)	18~4	0.75~16	3.60 10.00 1.20		
Rated impulse voltage		4KV	1.20 4.50			Rated impulse voltage		4KV	1.20 4.50		
Wire strip length	18~19mm		3.10 12.50			Wire strip length	18~19mm		3.10 12.50		
Number of Positions			02~12P			Number of Positions			02~12P		
0274-41XX						0274-42XX					
14.50mm			0274-43XX			14.50mm					
Technical Data	UL	IEC									
Rated voltage	1000V	1000V	14.50*(P-1)+11.45								
Rated current	51A	76A	26.60								
Solid (AWG/mm ²)	18~4	0.75~16	31.90								
Flexible (AWG/mm ²)	18~4	0.75~16	3.60 14.50 1.20								
Rated impulse voltage		8KV	1.20 4.50								
Wire strip length	18~19mm		3.10 12.50								
Number of Positions			02~10P								
0274-43XX											

Front Entry PID Terminal Blocks



Connection method: Push-in connection
Pitch: 3.50mm / 5.00mm / 6.35mm / 7.50mm / 10.00mm
UL Rated: 300V / 10A ~ 600V / 66A
IEC Rated: 320V / 17.5A ~ 1000V / 76A

- 2 pins on each pole for excellent stability on PCB
- Versions with horizontal and vertical wire entry direction
- For stranded wire connection without ferrules, the clamp shall be opened by a screwdriver

5.00mm 0177-51XX

Technical Data	UL	IEC
Rated voltage	300V	320V
Rated current	20A	24A
Solid (AWG/mm ²)	26~12	0.2~2.5
Flexible (AWG/mm ²)	26~12	0.2~2.5
Rated impulse voltage	4KV	
Wire strip length	9~10mm	
Number of Positions		
0177-51XX	02~24P	
0177-53XX	02~24P	

0177-53XX

7.50mm 0177-86XX

Technical Data	UL	IEC
Rated voltage	600V	1000V
Rated current	36A	41A
Solid (AWG/mm ²)	24~8	0.2~10
Flexible (AWG/mm ²)	24~8	0.2~6
Rated impulse voltage	8KV	
Wire strip length	15~16mm	
Number of Positions		
0177-86XX	02~16P	
0177-88XX	02~16P	

0177-88XX

10.00mm 0177-06XX

Technical Data	UL	IEC
Rated voltage	600V	1000V
Rated current	66A	76A
Solid (AWG/mm ²)	20~4	0.75~16
Flexible (AWG/mm ²)	20~4	0.75~16
Rated impulse voltage	8KV	
Wire strip length	18~20mm	
Number of Positions		
0177-06XX	02~12P	
0177-08XX	02~12P	

0177-08XX

3.50mm 0177-31XX

Technical Data	UL	IEC
Rated voltage	300V	320V
Rated current	10A	17.5A
Solid (AWG/mm ²)	26~16	0.2~1.5
Flexible (AWG/mm ²)	26~16	0.2~1.5
Rated impulse voltage	2.5KV	
Wire strip length	9~10mm	
Number of Positions		
0177-31XX	02~24P	
0177-33XX	02~24P	

0177-33XX

6.35mm 0177-76XX

Technical Data	UL	IEC
Rated voltage	600V	1000V
Rated current	25A	32A
Solid (AWG/mm ²)	24~10	0.2~4
Flexible (AWG/mm ²)	24~10	0.2~4
Rated impulse voltage	8KV	
Wire strip length	13~14mm	
Number of Positions		
0177-76XX	02~16P	
0177-78XX	02~16P	

0177-78XX

7.50mm 0177-81XX

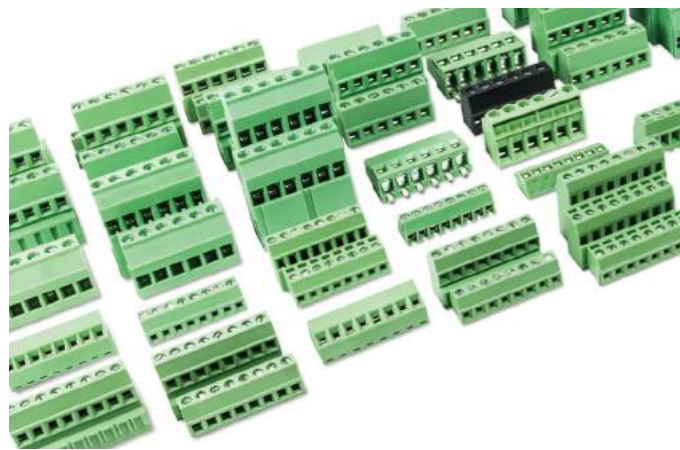
Technical Data	UL	IEC
Rated voltage	300V	630V
Rated current	36A	41A
Solid (AWG/mm ²)	24~8	0.2~10
Flexible (AWG/mm ²)	24~8	0.2~6
Rated impulse voltage	6KV	
Wire strip length	15mm	
Number of Positions		
0177-81XX	02~16P	
0177-83XX	02~16P	

0177-83XX

10.00mm 0177-03XX

Technical Data	UL	IEC
Rated voltage	300V	320V
Rated current	66A	76A
Solid (AWG/mm ²)	20~4	0.75~16
Flexible (AWG/mm ²)	20~4	0.75~16
Rated impulse voltage	4KV	
Wire strip length	18~20mm	
Number of Positions		
0177-03XX	02~12P	

Screw Connection PCB Terminal Blocks



Connection method: Screw connection
Pitch: 3.50mm / 5.00mm / 6.35mm /
7.50mm / 10.00mm
UL Rated: 150V / 10A ~ 600V / 65A
IEC Rated: 130V / 8A ~ 1000V / 76A

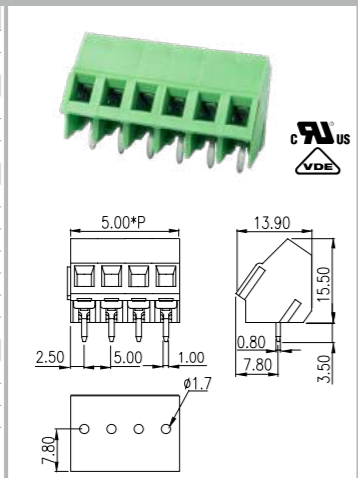
- Versions with single, double and triple-level PCB terminal blocks
- Horizontal, vertical and 45 degrees wire entry directions
- Space saving and finger-safe housing design
- Special markings on the housing for identification are available by request

2.54mm			3.50mm			3.50mm																																																																																																											
EK254V-XXP <table border="1"> <tr><th>Technical Data</th><th>UL</th><th>IEC</th></tr> <tr><td>Rated voltage</td><td>150V</td><td>160V</td></tr> <tr><td>Rated current</td><td>10A</td><td>8A</td></tr> <tr><td>Solid (AWG/mm²)</td><td>28~16</td><td>0.2~1.5</td></tr> <tr><td>Flexible (AWG/mm²)</td><td>28~16</td><td>0.2~1.5</td></tr> <tr><td>Rated impulse voltage</td><td colspan="2">2.5KV</td></tr> <tr><td>Torque (N-m)</td><td colspan="2">0.2</td></tr> <tr><td>Screw</td><td colspan="2">M1.6</td></tr> <tr><td>Wire strip length</td><td colspan="2">4~5mm</td></tr> <tr><th colspan="3">Number of Positions</th></tr> <tr><td>EK254V-XXP</td><td colspan="2">02~16P</td></tr> </table>	Technical Data	UL	IEC	Rated voltage	150V	160V	Rated current	10A	8A	Solid (AWG/mm ²)	28~16	0.2~1.5	Flexible (AWG/mm ²)	28~16	0.2~1.5	Rated impulse voltage	2.5KV		Torque (N-m)	0.2		Screw	M1.6		Wire strip length	4~5mm		Number of Positions			EK254V-XXP	02~16P			EK350V-XXP <table border="1"> <tr><th>Technical Data</th><th>UL</th><th>IEC</th></tr> <tr><td>Rated voltage</td><td>300V</td><td>130V</td></tr> <tr><td>Rated current</td><td>10A</td><td>12A</td></tr> <tr><td>Solid (AWG/mm²)</td><td>30~16</td><td>0.14~1.5</td></tr> <tr><td>Flexible (AWG/mm²)</td><td>30~16</td><td>0.14~1.5</td></tr> <tr><td>Rated impulse voltage</td><td colspan="2">2.5KV</td></tr> <tr><td>Torque (N-m)</td><td colspan="2">0.2~0.25</td></tr> <tr><td>Screw</td><td colspan="2">M2</td></tr> <tr><td>Wire strip length</td><td colspan="2">5~6mm</td></tr> <tr><th colspan="3">Number of Positions</th></tr> <tr><td>EK350V-XXP</td><td colspan="2">02~24P</td></tr> </table>	Technical Data	UL	IEC	Rated voltage	300V	130V	Rated current	10A	12A	Solid (AWG/mm ²)	30~16	0.14~1.5	Flexible (AWG/mm ²)	30~16	0.14~1.5	Rated impulse voltage	2.5KV		Torque (N-m)	0.2~0.25		Screw	M2		Wire strip length	5~6mm		Number of Positions			EK350V-XXP	02~24P			EK350V4L-XXP <table border="1"> <tr><th>Technical Data</th><th>UL</th><th>IEC</th></tr> <tr><td>Rated voltage</td><td>300V</td><td>130V</td></tr> <tr><td>Rated current</td><td>10A</td><td>10A</td></tr> <tr><td>Solid (AWG/mm²)</td><td>30~16</td><td>0.2~1.5</td></tr> <tr><td>Flexible (AWG/mm²)</td><td>30~16</td><td>0.2~1.5</td></tr> <tr><td>Rated impulse voltage</td><td colspan="2">2.5KV</td></tr> <tr><td>Torque (N-m)</td><td colspan="2">0.2~0.25</td></tr> <tr><td>Screw</td><td colspan="2">M2</td></tr> <tr><td>Wire strip length</td><td colspan="2">5~6mm</td></tr> <tr><th colspan="3">Number of Positions</th></tr> <tr><td>EK350V4L-XXP</td><td colspan="2">04~40P</td></tr> </table>	Technical Data	UL	IEC	Rated voltage	300V	130V	Rated current	10A	10A	Solid (AWG/mm ²)	30~16	0.2~1.5	Flexible (AWG/mm ²)	30~16	0.2~1.5	Rated impulse voltage	2.5KV		Torque (N-m)	0.2~0.25		Screw	M2		Wire strip length	5~6mm		Number of Positions			EK350V4L-XXP	04~40P											
Technical Data	UL	IEC																																																																																																															
Rated voltage	150V	160V																																																																																																															
Rated current	10A	8A																																																																																																															
Solid (AWG/mm ²)	28~16	0.2~1.5																																																																																																															
Flexible (AWG/mm ²)	28~16	0.2~1.5																																																																																																															
Rated impulse voltage	2.5KV																																																																																																																
Torque (N-m)	0.2																																																																																																																
Screw	M1.6																																																																																																																
Wire strip length	4~5mm																																																																																																																
Number of Positions																																																																																																																	
EK254V-XXP	02~16P																																																																																																																
Technical Data	UL	IEC																																																																																																															
Rated voltage	300V	130V																																																																																																															
Rated current	10A	12A																																																																																																															
Solid (AWG/mm ²)	30~16	0.14~1.5																																																																																																															
Flexible (AWG/mm ²)	30~16	0.14~1.5																																																																																																															
Rated impulse voltage	2.5KV																																																																																																																
Torque (N-m)	0.2~0.25																																																																																																																
Screw	M2																																																																																																																
Wire strip length	5~6mm																																																																																																																
Number of Positions																																																																																																																	
EK350V-XXP	02~24P																																																																																																																
Technical Data	UL	IEC																																																																																																															
Rated voltage	300V	130V																																																																																																															
Rated current	10A	10A																																																																																																															
Solid (AWG/mm ²)	30~16	0.2~1.5																																																																																																															
Flexible (AWG/mm ²)	30~16	0.2~1.5																																																																																																															
Rated impulse voltage	2.5KV																																																																																																																
Torque (N-m)	0.2~0.25																																																																																																																
Screw	M2																																																																																																																
Wire strip length	5~6mm																																																																																																																
Number of Positions																																																																																																																	
EK350V4L-XXP	04~40P																																																																																																																
EHK381V-XXP <table border="1"> <tr><th>Technical Data</th><th>UL</th><th>IEC</th></tr> <tr><td>Rated voltage</td><td>300V</td><td>250V</td></tr> <tr><td>Rated current</td><td>12A</td><td>12A</td></tr> <tr><td>Solid (AWG/mm²)</td><td>30~16</td><td>0.5~1.5</td></tr> <tr><td>Flexible (AWG/mm²)</td><td>30~16</td><td>0.5~1.5</td></tr> <tr><td>Rated impulse voltage</td><td colspan="2">2.5KV</td></tr> <tr><td>Torque (N-m)</td><td colspan="2">0.2~0.25</td></tr> <tr><td>Screw</td><td colspan="2">M2</td></tr> <tr><td>Wire strip length</td><td colspan="2">5~6mm</td></tr> <tr><th colspan="3">Number of Positions</th></tr> <tr><td>EHK381V-XXP</td><td colspan="2">02~16P</td></tr> </table>	Technical Data	UL	IEC	Rated voltage	300V	250V	Rated current	12A	12A	Solid (AWG/mm ²)	30~16	0.5~1.5	Flexible (AWG/mm ²)	30~16	0.5~1.5	Rated impulse voltage	2.5KV		Torque (N-m)	0.2~0.25		Screw	M2		Wire strip length	5~6mm		Number of Positions			EHK381V-XXP	02~16P			EK381V-XXP <table border="1"> <tr><th>Technical Data</th><th>UL</th><th>IEC</th></tr> <tr><td>Rated voltage</td><td>300V</td><td>250V</td></tr> <tr><td>Rated current</td><td>12A</td><td>12A</td></tr> <tr><td>Solid (AWG/mm²)</td><td>30~16</td><td>0.5~1.5</td></tr> <tr><td>Flexible (AWG/mm²)</td><td>30~16</td><td>0.5~1.5</td></tr> <tr><td>Rated impulse voltage</td><td colspan="2">2.5KV</td></tr> <tr><td>Torque (N-m)</td><td colspan="2">0.2~0.25</td></tr> <tr><td>Screw</td><td colspan="2">M2</td></tr> <tr><td>Wire strip length</td><td colspan="2">5~6mm</td></tr> <tr><th colspan="3">Number of Positions</th></tr> <tr><td>EK381V-XXP</td><td colspan="2">02~24P</td></tr> <tr><td>E EK381V-XXP</td><td colspan="2">02~24P</td></tr> <tr><td>E3K381V-XXP</td><td colspan="2">02~24P</td></tr> </table>	Technical Data	UL	IEC	Rated voltage	300V	250V	Rated current	12A	12A	Solid (AWG/mm ²)	30~16	0.5~1.5	Flexible (AWG/mm ²)	30~16	0.5~1.5	Rated impulse voltage	2.5KV		Torque (N-m)	0.2~0.25		Screw	M2		Wire strip length	5~6mm		Number of Positions			EK381V-XXP	02~24P		E EK381V-XXP	02~24P		E3K381V-XXP	02~24P			E3K381V-XXP <table border="1"> <tr><th>Technical Data</th><th>UL</th><th>IEC</th></tr> <tr><td>Rated voltage</td><td>300V</td><td>250V</td></tr> <tr><td>Rated current</td><td>12A</td><td>12A</td></tr> <tr><td>Solid (AWG/mm²)</td><td>30~16</td><td>0.5~1.5</td></tr> <tr><td>Flexible (AWG/mm²)</td><td>30~16</td><td>0.5~1.5</td></tr> <tr><td>Rated impulse voltage</td><td colspan="2">2.5KV</td></tr> <tr><td>Torque (N-m)</td><td colspan="2">0.2~0.25</td></tr> <tr><td>Screw</td><td colspan="2">M2</td></tr> <tr><td>Wire strip length</td><td colspan="2">5~6mm</td></tr> <tr><th colspan="3">Number of Positions</th></tr> <tr><td>E3K381V-XXP</td><td colspan="2">02~24P</td></tr> </table>	Technical Data	UL	IEC	Rated voltage	300V	250V	Rated current	12A	12A	Solid (AWG/mm ²)	30~16	0.5~1.5	Flexible (AWG/mm ²)	30~16	0.5~1.5	Rated impulse voltage	2.5KV		Torque (N-m)	0.2~0.25		Screw	M2		Wire strip length	5~6mm		Number of Positions			E3K381V-XXP	02~24P					
Technical Data	UL	IEC																																																																																																															
Rated voltage	300V	250V																																																																																																															
Rated current	12A	12A																																																																																																															
Solid (AWG/mm ²)	30~16	0.5~1.5																																																																																																															
Flexible (AWG/mm ²)	30~16	0.5~1.5																																																																																																															
Rated impulse voltage	2.5KV																																																																																																																
Torque (N-m)	0.2~0.25																																																																																																																
Screw	M2																																																																																																																
Wire strip length	5~6mm																																																																																																																
Number of Positions																																																																																																																	
EHK381V-XXP	02~16P																																																																																																																
Technical Data	UL	IEC																																																																																																															
Rated voltage	300V	250V																																																																																																															
Rated current	12A	12A																																																																																																															
Solid (AWG/mm ²)	30~16	0.5~1.5																																																																																																															
Flexible (AWG/mm ²)	30~16	0.5~1.5																																																																																																															
Rated impulse voltage	2.5KV																																																																																																																
Torque (N-m)	0.2~0.25																																																																																																																
Screw	M2																																																																																																																
Wire strip length	5~6mm																																																																																																																
Number of Positions																																																																																																																	
EK381V-XXP	02~24P																																																																																																																
E EK381V-XXP	02~24P																																																																																																																
E3K381V-XXP	02~24P																																																																																																																
Technical Data	UL	IEC																																																																																																															
Rated voltage	300V	250V																																																																																																															
Rated current	12A	12A																																																																																																															
Solid (AWG/mm ²)	30~16	0.5~1.5																																																																																																															
Flexible (AWG/mm ²)	30~16	0.5~1.5																																																																																																															
Rated impulse voltage	2.5KV																																																																																																																
Torque (N-m)	0.2~0.25																																																																																																																
Screw	M2																																																																																																																
Wire strip length	5~6mm																																																																																																																
Number of Positions																																																																																																																	
E3K381V-XXP	02~24P																																																																																																																
EK381V4L-XXP <table border="1"> <tr><th>Technical Data</th><th>UL</th><th>IEC</th></tr> <tr><td>Rated voltage</td><td>300V</td><td>250V</td></tr> <tr><td>Rated current</td><td>12A</td><td>12A</td></tr> <tr><td>Solid (AWG/mm²)</td><td>30~16</td><td>0.5~1.5</td></tr> <tr><td>Flexible (AWG/mm²)</td><td>30~16</td><td>0.5~1.5</td></tr> <tr><td>Rated impulse voltage</td><td colspan="2">2.5KV</td></tr> <tr><td>Torque (N-m)</td><td colspan="2">0.2~0.25</td></tr> <tr><td>Screw</td><td colspan="2">M2</td></tr> <tr><td>Wire strip length</td><td colspan="2">5~6mm</td></tr> <tr><th colspan="3">Number of Positions</th></tr> <tr><td>EK381V4L-XXP</td><td colspan="2">04~48P</td></tr> <tr><td>EK381V3L-XXP</td><td colspan="2">06~72P</td></tr> </table>	Technical Data	UL	IEC	Rated voltage	300V	250V	Rated current	12A	12A	Solid (AWG/mm ²)	30~16	0.5~1.5	Flexible (AWG/mm ²)	30~16	0.5~1.5	Rated impulse voltage	2.5KV		Torque (N-m)	0.2~0.25		Screw	M2		Wire strip length	5~6mm		Number of Positions			EK381V4L-XXP	04~48P		EK381V3L-XXP	06~72P			EK381V3L-XXP <table border="1"> <tr><th>Technical Data</th><th>UL</th><th>IEC</th></tr> <tr><td>Rated voltage</td><td>300V</td><td>250V</td></tr> <tr><td>Rated current</td><td>15A</td><td>12A</td></tr> <tr><td>Solid (AWG/mm²)</td><td>30~14</td><td>0.2~1.5</td></tr> <tr><td>Flexible (AWG/mm²)</td><td>30~14</td><td>0.2~1.5</td></tr> <tr><td>Rated impulse voltage</td><td colspan="2">2.5KV</td></tr> <tr><td>Torque (N-m)</td><td colspan="2">0.2~0.25</td></tr> <tr><td>Screw</td><td colspan="2">M2</td></tr> <tr><td>Wire strip length</td><td colspan="2">5~6mm</td></tr> <tr><th colspan="3">Number of Positions</th></tr> <tr><td>ESK381V-XXP</td><td colspan="2">02~24P</td></tr> <tr><td>ESK381R-XXP</td><td colspan="2">02~24P</td></tr> </table>	Technical Data	UL	IEC	Rated voltage	300V	250V	Rated current	15A	12A	Solid (AWG/mm ²)	30~14	0.2~1.5	Flexible (AWG/mm ²)	30~14	0.2~1.5	Rated impulse voltage	2.5KV		Torque (N-m)	0.2~0.25		Screw	M2		Wire strip length	5~6mm		Number of Positions			ESK381V-XXP	02~24P		ESK381R-XXP	02~24P			ESK381R-XXP <table border="1"> <tr><th>Technical Data</th><th>UL</th><th>IEC</th></tr> <tr><td>Rated voltage</td><td>300V</td><td>250V</td></tr> <tr><td>Rated current</td><td>15A</td><td>12A</td></tr> <tr><td>Solid (AWG/mm²)</td><td>30~14</td><td>0.2~1.5</td></tr> <tr><td>Flexible (AWG/mm²)</td><td>30~14</td><td>0.2~1.5</td></tr> <tr><td>Rated impulse voltage</td><td colspan="2">2.5KV</td></tr> <tr><td>Torque (N-m)</td><td colspan="2">0.2~0.25</td></tr> <tr><td>Screw</td><td colspan="2">M2</td></tr> <tr><td>Wire strip length</td><td colspan="2">5~6mm</td></tr> <tr><th colspan="3">Number of Positions</th></tr> <tr><td>ESK381V-XXP</td><td colspan="2">02~24P</td></tr> <tr><td>ESK381R-XXP</td><td colspan="2">02~24P</td></tr> </table>	Technical Data	UL	IEC	Rated voltage	300V	250V	Rated current	15A	12A	Solid (AWG/mm ²)	30~14	0.2~1.5	Flexible (AWG/mm ²)	30~14	0.2~1.5	Rated impulse voltage	2.5KV		Torque (N-m)	0.2~0.25		Screw	M2		Wire strip length	5~6mm		Number of Positions			ESK381V-XXP	02~24P		ESK381R-XXP	02~24P		
Technical Data	UL	IEC																																																																																																															
Rated voltage	300V	250V																																																																																																															
Rated current	12A	12A																																																																																																															
Solid (AWG/mm ²)	30~16	0.5~1.5																																																																																																															
Flexible (AWG/mm ²)	30~16	0.5~1.5																																																																																																															
Rated impulse voltage	2.5KV																																																																																																																
Torque (N-m)	0.2~0.25																																																																																																																
Screw	M2																																																																																																																
Wire strip length	5~6mm																																																																																																																
Number of Positions																																																																																																																	
EK381V4L-XXP	04~48P																																																																																																																
EK381V3L-XXP	06~72P																																																																																																																
Technical Data	UL	IEC																																																																																																															
Rated voltage	300V	250V																																																																																																															
Rated current	15A	12A																																																																																																															
Solid (AWG/mm ²)	30~14	0.2~1.5																																																																																																															
Flexible (AWG/mm ²)	30~14	0.2~1.5																																																																																																															
Rated impulse voltage	2.5KV																																																																																																																
Torque (N-m)	0.2~0.25																																																																																																																
Screw	M2																																																																																																																
Wire strip length	5~6mm																																																																																																																
Number of Positions																																																																																																																	
ESK381V-XXP	02~24P																																																																																																																
ESK381R-XXP	02~24P																																																																																																																
Technical Data	UL	IEC																																																																																																															
Rated voltage	300V	250V																																																																																																															
Rated current	15A	12A																																																																																																															
Solid (AWG/mm ²)	30~14	0.2~1.5																																																																																																															
Flexible (AWG/mm ²)	30~14	0.2~1.5																																																																																																															
Rated impulse voltage	2.5KV																																																																																																																
Torque (N-m)	0.2~0.25																																																																																																																
Screw	M2																																																																																																																
Wire strip length	5~6mm																																																																																																																
Number of Positions																																																																																																																	
ESK381V-XXP	02~24P																																																																																																																
ESK381R-XXP	02~24P																																																																																																																
EESK381V-XXP <table border="1"> <tr><th>Technical Data</th><th>UL</th><th>IEC</th></tr> <tr><td>Rated voltage</td><td>300V</td><td>250V</td></tr> <tr><td>Rated current</td><td>15A</td><td>12A</td></tr> <tr><td>Solid (AWG/mm²)</td><td>30~14</td><td>0.5~1.5</td></tr> <tr><td>Flexible (AWG/mm²)</td><td>30~14</td><td>0.5~1.5</td></tr> <tr><td>Rated impulse voltage</td><td colspan="2">2.5KV</td></tr> <tr><td>Torque (N-m)</td><td colspan="2">0.2~0.25</td></tr> <tr><td>Screw</td><td colspan="2">M2</td></tr> <tr><td>Wire strip length</td><td colspan="2">5~6mm</td></tr> <tr><th colspan="3">Number of Positions</th></tr> <tr><td>EESK381V-XXP</td><td colspan="2">02~24P</td></tr> <tr><td>ESK381V4L-XXP</td><td colspan="2">04~48P</td></tr> </table>	Technical Data	UL	IEC	Rated voltage	300V	250V	Rated current	15A	12A	Solid (AWG/mm ²)	30~14	0.5~1.5	Flexible (AWG/mm ²)	30~14	0.5~1.5	Rated impulse voltage	2.5KV		Torque (N-m)	0.2~0.25		Screw	M2		Wire strip length	5~6mm		Number of Positions			EESK381V-XXP	02~24P		ESK381V4L-XXP	04~48P			ESK381V4L-XXP <table border="1"> <tr><th>Technical Data</th><th>UL</th><th>IEC</th></tr> <tr><td>Rated voltage</td><td>300V</td><td>250V</td></tr> <tr><td>Rated current</td><td>13.5A</td><td>17.5A</td></tr> <tr><td>Solid (AWG/mm²)</td><td>30~16</td><td>0.14~1.5</td></tr> <tr><td>Flexible (AWG/mm²)</td><td>30~16</td><td>0.14~1.5</td></tr> <tr><td>Rated impulse voltage</td><td colspan="2">4KV</td></tr> <tr><td>Torque (N-m)</td><td colspan="2">0.4~0.5</td></tr> <tr><td>Screw</td><td colspan="2">M2.5</td></tr> <tr><td>Wire strip length</td><td colspan="2">5~6mm</td></tr> <tr><th colspan="3">Number of Positions</th></tr> <tr><td>ELK500V-XXP</td><td colspan="2">02~24P</td></tr> </table>	Technical Data	UL	IEC	Rated voltage	300V	250V	Rated current	13.5A	17.5A	Solid (AWG/mm ²)	30~16	0.14~1.5	Flexible (AWG/mm ²)	30~16	0.14~1.5	Rated impulse voltage	4KV		Torque (N-m)	0.4~0.5		Screw	M2.5		Wire strip length	5~6mm		Number of Positions			ELK500V-XXP	02~24P			ELK500S-XXP <table border="1"> <tr><th>Technical Data</th><th>UL</th><th>IEC</th></tr> <tr><td>Rated voltage</td><td>300V</td><td>250V</td></tr> <tr><td>Rated current</td><td>13.5A</td><td>17.5A</td></tr> <tr><td>Solid (AWG/mm²)</td><td>30~14</td><td>0.14~1.5</td></tr> <tr><td>Flexible (AWG/mm²)</td><td>30~14</td><td>0.14~1.5</td></tr> <tr><td>Rated impulse voltage</td><td colspan="2">4KV</td></tr> <tr><td>Torque (N-m)</td><td colspan="2">0.4~0.5</td></tr> <tr><td>Screw</td><td colspan="2">M2.5</td></tr> <tr><td>Wire strip length</td><td colspan="2">5~6mm</td></tr> <tr><th colspan="3">Number of Positions</th></tr> <tr><td>ELK500S-XXP</td><td colspan="2">02~24P</td></tr> </table>	Technical Data	UL	IEC	Rated voltage	300V	250V	Rated current	13.5A	17.5A	Solid (AWG/mm ²)	30~14	0.14~1.5	Flexible (AWG/mm ²)	30~14	0.14~1.5	Rated impulse voltage	4KV		Torque (N-m)	0.4~0.5		Screw	M2.5		Wire strip length	5~6mm		Number of Positions			ELK500S-XXP	02~24P								
Technical Data	UL	IEC																																																																																																															
Rated voltage	300V	250V																																																																																																															
Rated current	15A	12A																																																																																																															
Solid (AWG/mm ²)	30~14	0.5~1.5																																																																																																															
Flexible (AWG/mm ²)	30~14	0.5~1.5																																																																																																															
Rated impulse voltage	2.5KV																																																																																																																
Torque (N-m)	0.2~0.25																																																																																																																
Screw	M2																																																																																																																
Wire strip length	5~6mm																																																																																																																
Number of Positions																																																																																																																	
EESK381V-XXP	02~24P																																																																																																																
ESK381V4L-XXP	04~48P																																																																																																																
Technical Data	UL	IEC																																																																																																															
Rated voltage	300V	250V																																																																																																															
Rated current	13.5A	17.5A																																																																																																															
Solid (AWG/mm ²)	30~16	0.14~1.5																																																																																																															
Flexible (AWG/mm ²)	30~16	0.14~1.5																																																																																																															
Rated impulse voltage	4KV																																																																																																																
Torque (N-m)	0.4~0.5																																																																																																																
Screw	M2.5																																																																																																																
Wire strip length	5~6mm																																																																																																																
Number of Positions																																																																																																																	
ELK500V-XXP	02~24P																																																																																																																
Technical Data	UL	IEC																																																																																																															
Rated voltage	300V	250V																																																																																																															
Rated current	13.5A	17.5A																																																																																																															
Solid (AWG/mm ²)	30~14	0.14~1.5																																																																																																															
Flexible (AWG/mm ²)	30~14	0.14~1.5																																																																																																															
Rated impulse voltage	4KV																																																																																																																
Torque (N-m)	0.4~0.5																																																																																																																
Screw	M2.5																																																																																																																
Wire strip length	5~6mm																																																																																																																
Number of Positions																																																																																																																	
ELK500S-XXP	02~24P																																																																																																																

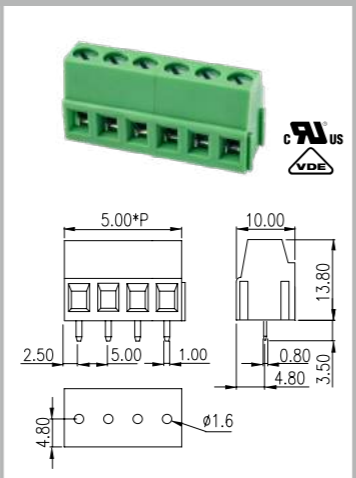
5.00mm

Technical Data	UL	IEC
Rated voltage	300V	250V
Rated current	20A	24A
Solid (AWG/mm ²)		
EK500A-XXP	24~12	0.14~2.5
EK500V-XXP	24~12	0.5~2.5
EK500R-XXP	24~12	0.5~2.5
Flexible (AWG/mm ²)		
EK500A-XXP	24~12	0.14~2.5
EK500V-XXP	24~12	0.5~2.5
EK500R-XXP	24~12	0.5~2.5
Rated impulse voltage	4KV	
Torque (N-m)	0.4~0.5	
Screw	M2.5	
Wire strip length	6~7mm	
Number of Positions		
EK500A-XXP	02~24P	
EK500V-XXP	02~24P	
EK500R-XXP	02~24P	

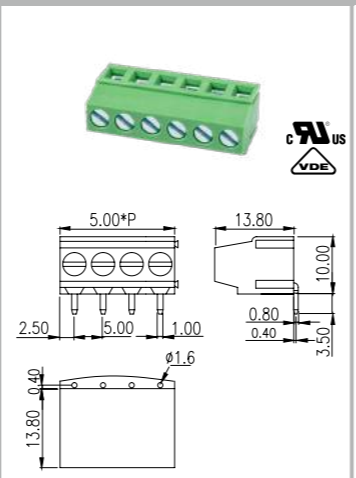
EK500A-XXP



EK500V-XXP



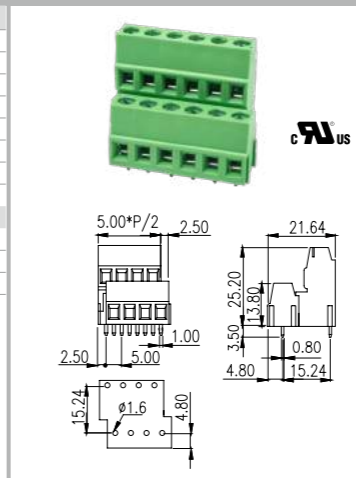
EK500R-XXP



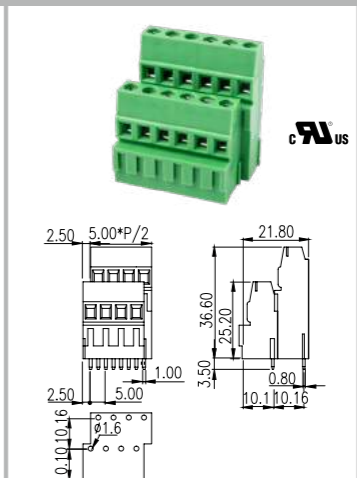
5.00mm

Technical Data	UL	IEC
Rated voltage	300V	320V
Rated current	20A	24A
Solid (AWG/mm ²)	24~12	0.5~2.5
Flexible (AWG/mm ²)	24~12	0.5~2.5
Rated impulse voltage	4KV	
Torque (N-m)	0.4~0.5	
Screw	M2.5	
Wire strip length	6~7mm	
Number of Positions		
EK500V4L-XXP	04~64P	
EK500V2L-XXP	04~32P	
EK500V3L-XXP	06~72P	

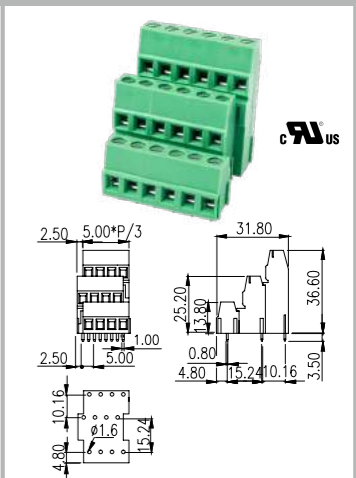
EK500V4L-XXP



EK500V2L-XXP



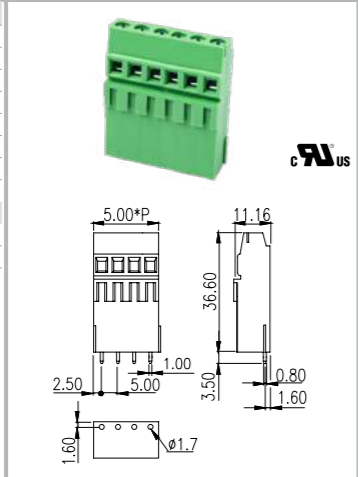
EK500V3L-XXP



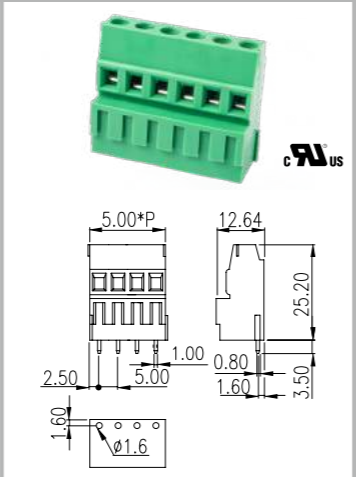
5.00mm

Technical Data	UL	IEC
Rated voltage	300V	250V
Rated current	20A	24A
Solid (AWG/mm ²)	24~12	0.5~2.5
Flexible (AWG/mm ²)	24~12	0.5~2.5
Rated impulse voltage	4KV	
Torque (N-m)	0.4~0.5	
Screw	M2.5	
Wire strip length	6~7mm	
Number of Positions		
E3K500V-XXP	02~24P	
EEK500V-XXP	02~15P	

E3K500V-XXP



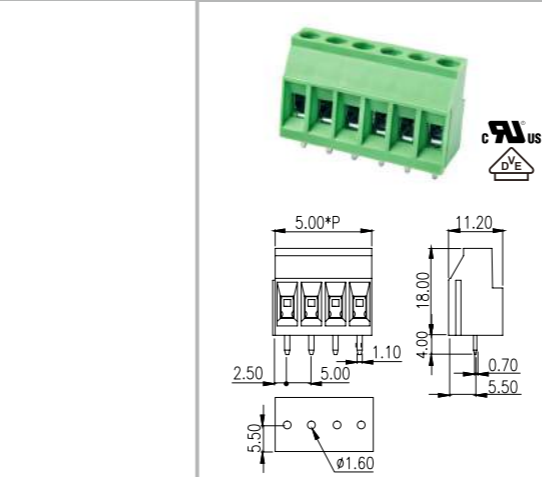
EEK500V-XXP



5.00mm

Technical Data	UL	IEC
Rated voltage	300V	300V
Rated current	25A	24A
Solid (AWG/mm ²)	24~12	0.2~4
Flexible (AWG/mm ²)	24~12	0.2~2.5
Rated impulse voltage	4KV	
Torque (N-m)	0.4~0.5	
Screw	M2.5	
Wire strip length	7~8mm	
Number of Positions		
EHK5V-XXP	02~24P	

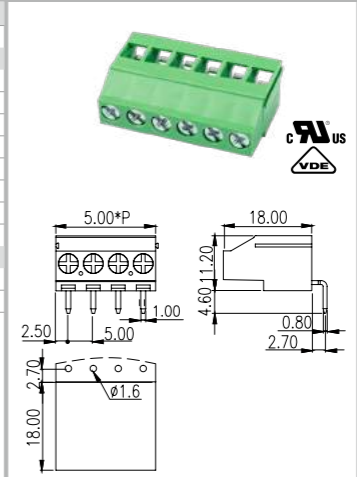
EHK5V-XXP



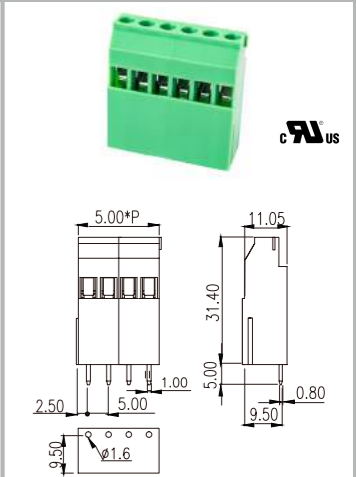
5.00mm

Technical Data	UL	IEC
Rated voltage	300V	250V
Rated current		
EHK500R-XXP	25A	24A
E2HK500V-XXPAM	20A	24A
Solid (AWG/mm ²)	24~12	0.5~2.5
Flexible (AWG/mm ²)	24~12	0.5~2.5
Rated impulse voltage	4KV	
Torque (N-m)	0.4~0.5	
Screw	M2.5	
Wire strip length	6~7mm	
Number of Positions		
EHK500R-XXP	02~24P	
E2HK500V-XXPAM	02~16P	

EHK500R-XXP



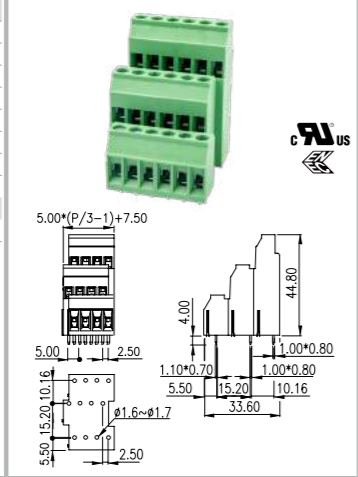
E2HK500V-XXPAM



5.00mm

Technical Data	UL	IEC
Rated voltage	300V	400V
Rated current	20A	24A
Solid (AWG/mm ²)	24~12	0.2~2.5
Flexible (AWG/mm ²)	24~12	0.2~2.5
Rated impulse voltage	4KV	
Torque (N-m)	0.4~0.5	
Screw	M2.5	
Wire strip length	6~7mm	
Number of Positions		
EHK5V3L-XXP	06~72P	

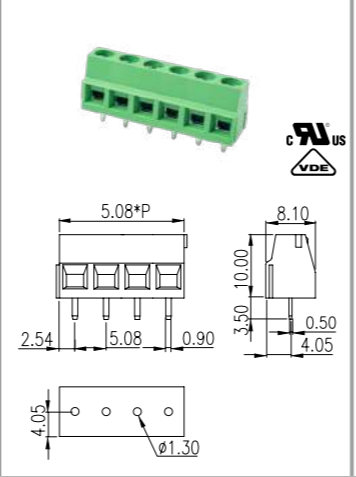
EHK5V3L-XXP



5.08mm

Technical Data	UL	IEC
Rated voltage	300V	250V
Rated current	13.5A	14A
Solid (AWG/mm ²)	30~16	0.5~1.5
Flexible (AWG/mm ²)	30~16	0.5~1.5
Rated impulse voltage	4KV	
Torque (N-m)	0.4~0.5	
Screw	M2.5	
Wire strip length	5~6mm	
Number of Positions		
ELK508V-XXP	02~24P	

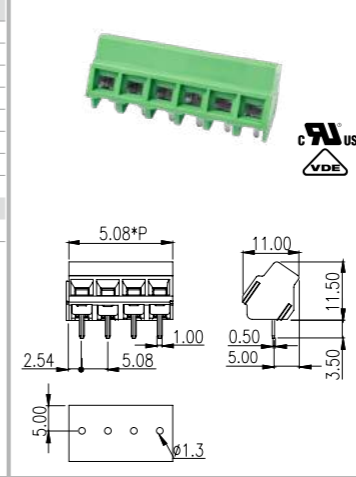
ELK508V-XXP



5.08mm

Technical Data	UL	IEC
Rated voltage	300V	250V
Rated current	13.5A	17.5A
Solid (AWG/mm ²)	30~14	0.14~1.5
Flexible (AWG/mm ²)	30~14	0.14~1.5
Rated impulse voltage	4KV	
Torque(N-m)	0.4~0.5	
Screw	M2.5	
Wire strip length	5~6mm	
Number of Positions		
ELK508S-XXP	02~24P	

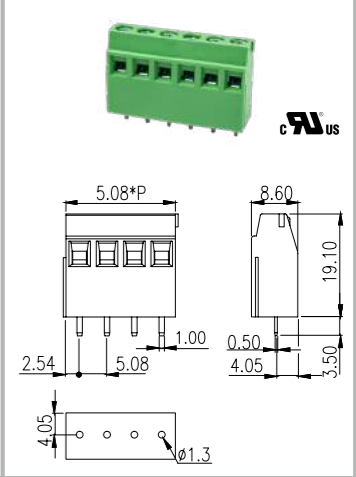
ELK508S-XXP



5.08mm

Technical Data	UL	IEC
Rated voltage	300V	320V
Rated current	13.5A	13.5A
Solid (AWG/mm ²)	30~14	0.14~1.5
Flexible (AWG/mm ²)	30~14	0.14~1.5
Rated impulse voltage	4KV	
Torque (N-m)	0.4~0.5	
Screw	M2.5	
Wire strip length	6~7mm	
Number of Positions		
E2LK508V-XXP	02~24P	

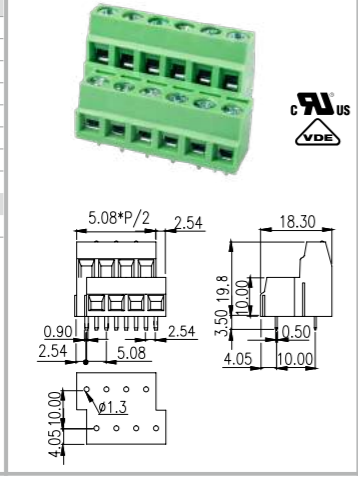
E2LK508V-XXP



5.08mm

Technical Data	UL	IEC
Rated voltage	300V	250V
Rated current	13.5A	14A
Solid (AWG/mm ²)	26~16	0.5~1.5
Flexible (AWG/mm ²)	26~16	0.5~1.5
Rated impulse voltage	4KV	
Torque (N-m)	0.4~0.5	
Screw	M2.5	
Wire strip length	6~7mm	
Number of Positions		
EELK508V-XXP	04~32P	

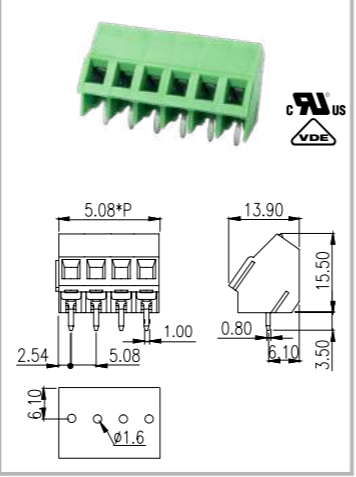
EELK508V-XXP



5.08mm

Technical Data	UL	IEC
Rated voltage	300V	250V
Rated current	20A	24A
Solid (AWG/mm ²)	24~12	0.14~2.5
Flexible (AWG/mm ²)	24~12	0.14~2.5
Rated impulse voltage	4KV	
Torque (N-m)	0.4~0.5	
Screw	M2.5	
Wire strip length	7~8mm	
Number of Positions		
EK508A-XXP	02~25P	

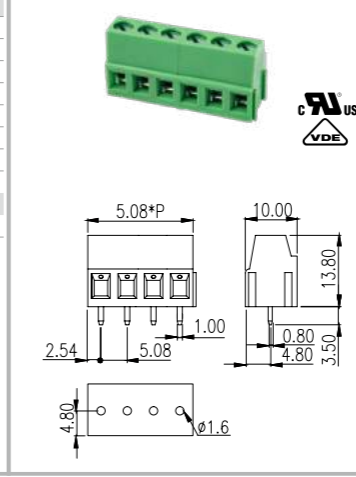
EK508A-XXP



5.08mm

Technical Data	UL	IEC
Rated voltage	300V	250V
Rated current	20A	24A
Solid (AWG/mm ²)	24~12	0.5~2.5
Flexible (AWG/mm ²)	24~12	0.5~2.5
Rated impulse voltage	4KV	
Torque (N-m)	0.4~0.5	
Screw	M2.5	
Wire strip length	6~7mm	
Number of Positions		
EK508V-XXP	02~24P	

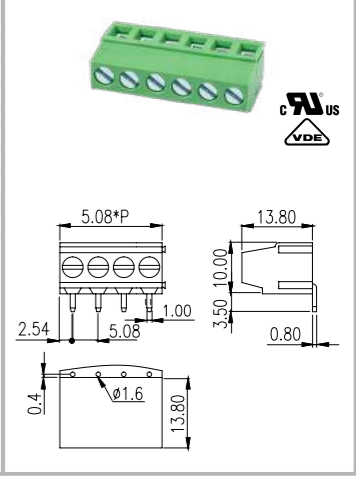
EK508V-XXP



5.08mm

Technical Data	UL	IEC
Rated voltage	300V	250V
Rated current	20A	24A
Solid (AWG/mm ²)	24~12	0.5~2.5
Flexible (AWG/mm ²)	24~12	0.5~2.5
Rated impulse voltage	4KV	
Torque (N-m)	0.4~0.5	
Screw	M2.5	
Wire strip length	6~7mm	
Number of Positions		
EK508R-XXP	02~24P	

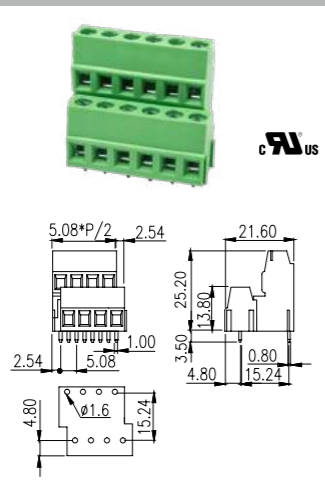
EK508R-XXP



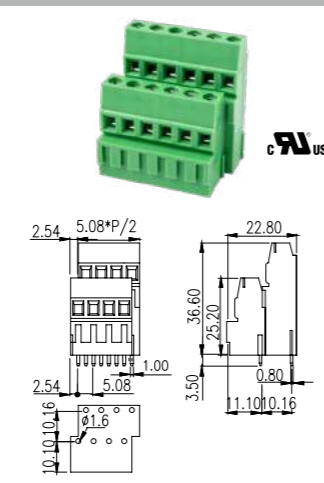
5.08mm

Technical Data	UL	IEC
Rated voltage	300V	320V
Rated current	20A	24A
Solid (AWG/mm ²)	24~12	0.5~2.5
Flexible (AWG/mm ²)	24~12	0.5~2.5
Rated impulse voltage	4KV	
Torque (N-m)	0.4~0.5	
Screw	M2.5	
Wire strip length	6~7mm	
Number of Positions		
EK508V4L-XXP	04~48P	
EK508V2L-XXP	04~48P	
EK508V3L-XXP	06P, 09P...up to 72P	
E3K508V-XXP	02P, 03P...up to 24P	
EEK508V-XXP	02~15P	

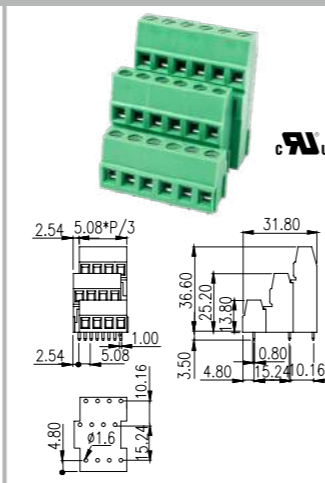
EK508V4L-XXP



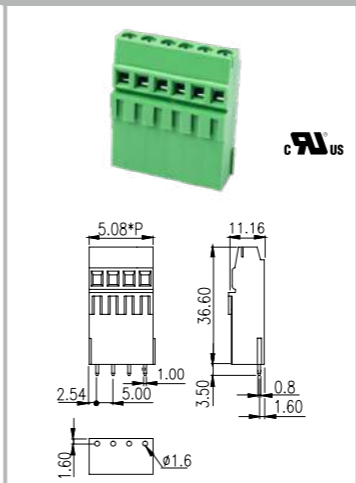
EK508V2L-XXP



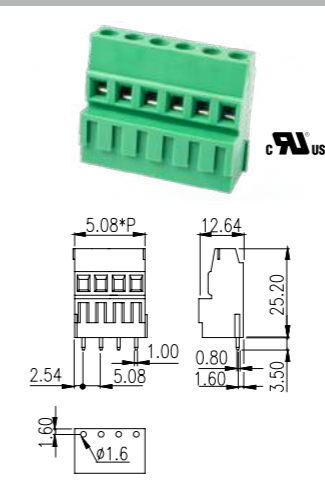
EK508V3L-XXP



E3K508V-XXP



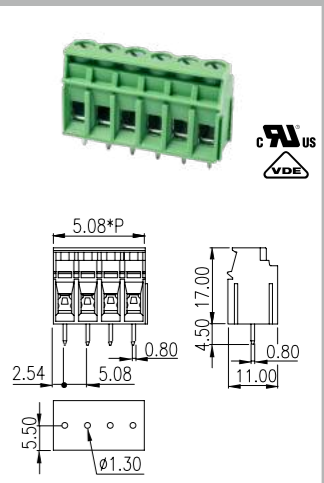
EEK508V-XXP



5.08mm

Technical Data	UL	IEC
Rated voltage	300V	250V
Rated current	23A	24A
Solid (AWG/mm ²)	26~12	0.5~2.5
Flexible (AWG/mm ²)	26~12	0.5~2.5
Rated impulse voltage	4KV	
Torque (N-m)	0.5~0.6	
Screw	M3	
Wire strip length	7~8mm	
Number of Positions		
ESK508V-XXP	02~24P	

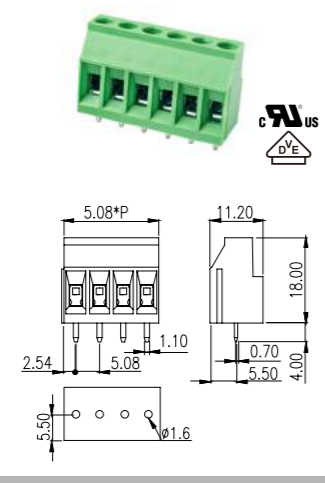
ESK508V-XXP



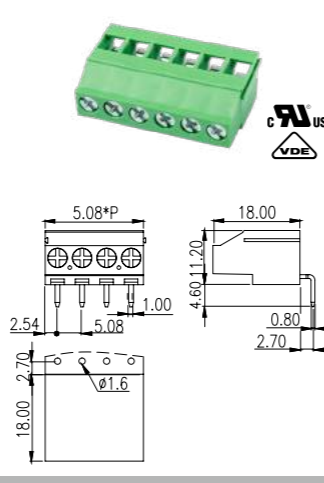
5.08mm

Technical Data	UL	IEC
Rated voltage	300V	300V
Rated current	25A	24A
Solid (AWG/mm ²)	24~12	0.2~4
Flexible (AWG/mm ²)	24~12	0.5~2.5
Rated impulse voltage	4KV	
Torque (N-m)	0.4~0.5	
Screw	M2.5	
Wire strip length	6~7mm	
Number of Positions		
EHK2V-XXP	02~24P	

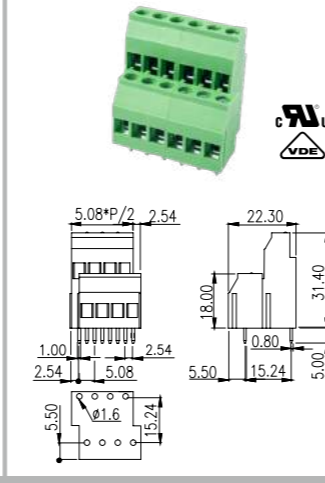
EHK2V-XXP



EHK508R-XXP



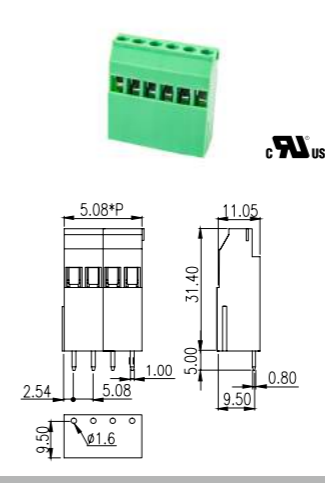
EEHK508V-XXP



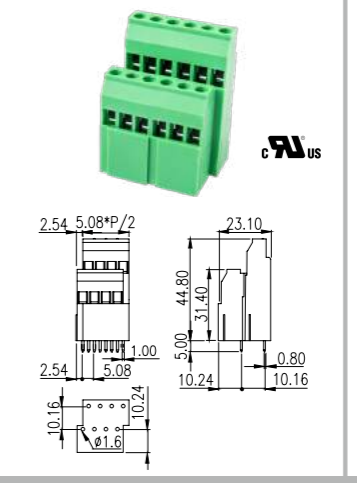
5.08mm

Technical Data	UL	IEC
Rated voltage	300V	400V
Rated current	25A	24A
Solid (AWG/mm ²)	24~12	0.5~2.5
Flexible (AWG/mm ²)	24~12	0.5~2.5
Rated impulse voltage	4KV	
Torque (N-m)	0.4~0.5	
Screw	M2.5	
Wire strip length	6~7mm	
Number of Positions		
E2HK508V-XXP	02P, 03P...up to 16P	
EHK508V2L-XXP	04P, 06P...up to 48P	
EHK508V3L-XXP	06P, 09P...up to 72P	

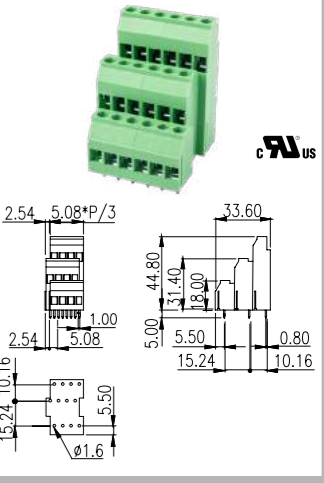
E2HK508V-XXP



EHK508V2L-XXP



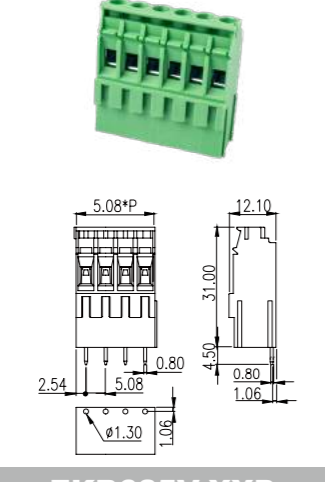
EHK508V3L-XXP



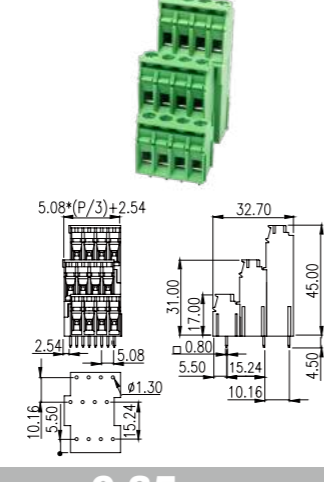
5.08mm

Technical Data	UL	IEC
Rated voltage	300V	400V
Rated current	20A	24A
Solid (AWG/mm ²)	26~12	0.2~2.5
Flexible (AWG/mm ²)	26~12	0.2~2.5
Rated impulse voltage	4KV	
Torque (N-m)	0.5~0.6	
Screw	M3	
Wire strip length	7~8mm	
Number of Positions		
EEK508V-XXP	02~16P	
ESK508V3L-XXP	06~48P	

EEK508V-XXP



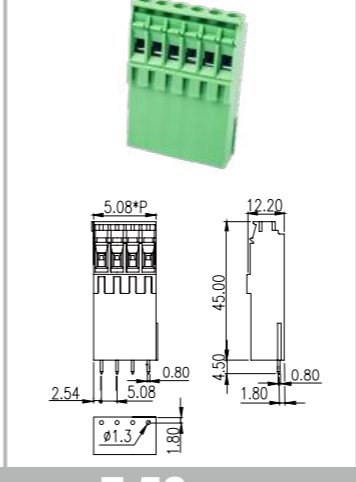
ESK508V3L-XXP



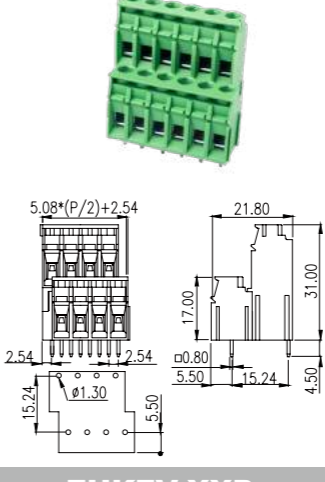
5.08mm

Technical Data	UL	IEC
Rated voltage	300V	400V
Rated current	20A	24A
Solid (AWG/mm ²)	26~12	0.2~2.5
Flexible (AWG/mm ²)	26~12	0.2~2.5
Rated impulse voltage	4KV	
Torque (N-m)	0.5~0.6	
Screw	M3	
Wire strip length	8~9mm	
Number of Positions		
E3SK508V-XXP	02~16P	
ESK508V4L-XXP	04~32P	

E3SK508V-XXP



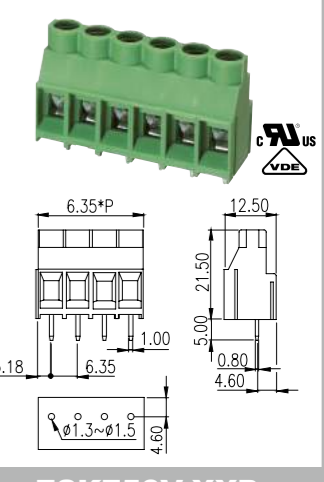
ESK508V4L-XXP



6.35mm

Technical Data	UL	IEC
Rated voltage	300V	450V
Rated current	30A	32A
Solid (AWG/mm ²)	26~10	0.2~4
Flexible (AWG/mm ²)	26~10	0.2~4
Rated impulse voltage	4KV	
Torque (N-m)	0.5~0.6	
Screw	M3	
Wire strip length	8~9mm	
Number of Positions		
ESK635V-XXP	02~24P	

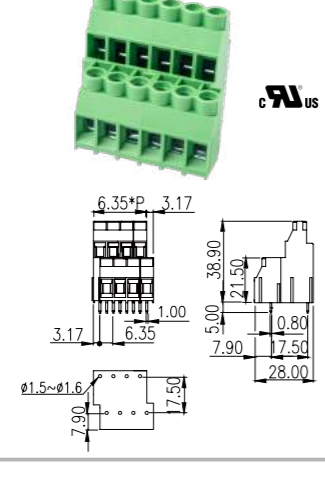
ESK635V-XXP



6.35mm

Technical Data	UL	IEC
Rated voltage	300V	450V
Rated current	30A	32A
Solid (AWG/mm ²)	30~10	0.2~4
Flexible (AWG/mm ²)	30~10	0.2~4
Rated impulse voltage	4KV	
Torque (N-m)	0.5~0.6	
Screw	M3	
Wire strip length	8~9mm	
Number of Positions		
EKB635V-XXP	04P, 06P...up to 48P	

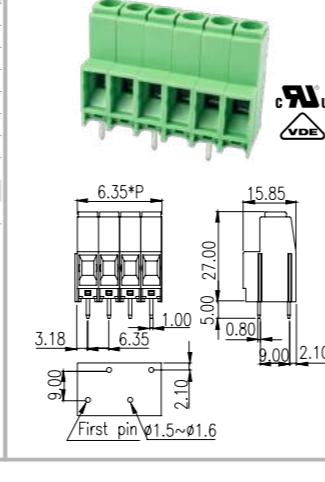
EKB635V-XXP



6.35mm

Technical Data	UL	IEC
Rated voltage	600V	1000V
Rated current	35A	41A
Solid (AWG/mm ²)	18~8	0.2~6
Flexible (AWG/mm ²)	18~8	0.2~6
Rated impulse voltage	8KV	
Torque (N-m)	0.5~0.6	
Screw	M3	
Wire strip length	9~10mm	
Number of Positions		
EPK635VN-XXP	02~16P	

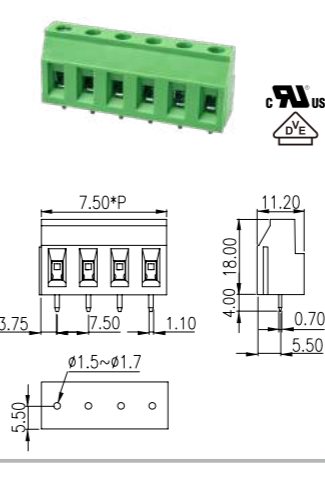
EPK635VN-XXP



7.50mm

Technical Data	UL	IEC
Rated voltage	300V	600V
Rated current	25A	24A
Solid (AWG/mm ²)	24~12	0.2~2.5
Flexible (AWG/mm ²)	24~12	0.2~2.5
Rated impulse voltage	6KV	
Torque (N-m)	0.4~0.5	
Screw	M2.5	
Wire strip length	7~8mm	
Number of Positions		
EHK7V-XXP	02~16P	

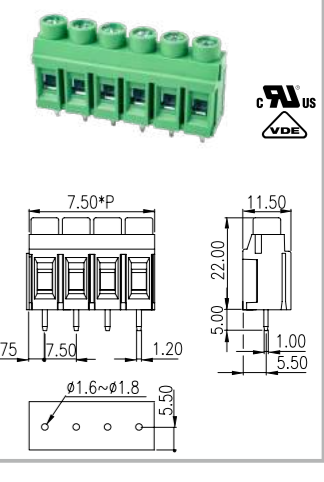
EHK7V-XXP



7.50mm

Technical Data	UL	IEC
Rated voltage	300V	750V
Rated current	30A	32A
Solid (AWG/mm ²)	24~10	0.2~4
Flexible (AWG/mm ²)	24~10	0.2~4
Rated impulse voltage	6KV	
Torque (N-m)	0.8~1	
Screw	M3.5	
Wire strip length	7~8mm	
Number of Positions		
ESK750V-XXP	02~20P	

ESK750V-XXP



7.50mm

EK750V-XXP

7.62mm

ESK762V-XXP

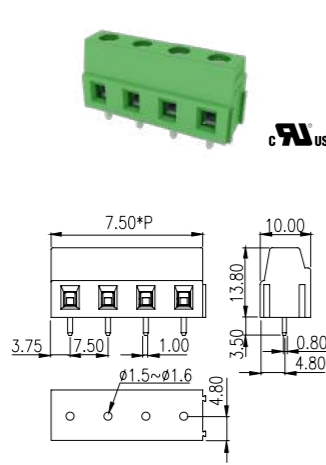
7.62mm

EHK3V-XXP

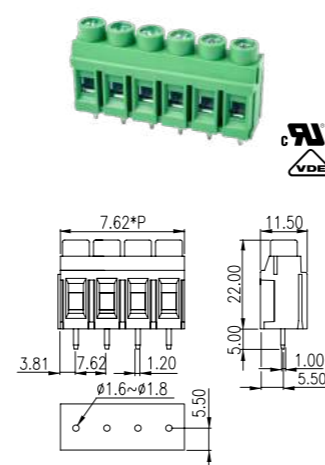
7.62mm

EKB762V-XXP

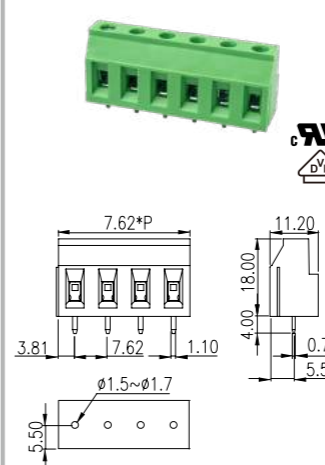
Technical Data	UL	IEC
Rated voltage	300V	320V
Rated current	20A	24A
Solid (AWG/mm ²)	28~12	0.2~2.5
Flexible (AWG/mm ²)	28~12	0.2~2.5
Rated impulse voltage	4KV	
Torque (N-m)	0.4~0.5	
Screw	M2.5	
Wire strip length	6~7mm	
Number of Positions		
EK750V-XXP	02~16P	



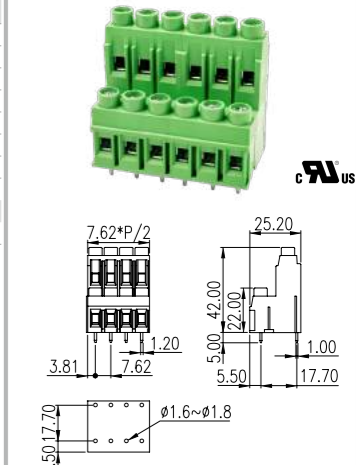
Technical Data	UL	IEC
Rated voltage	300V	750V
Rated current	30A	32A
Solid (AWG/mm ²)	24~10	0.2~4
Flexible (AWG/mm ²)	24~10	0.2~4
Rated impulse voltage	6KV	
Torque (N-m)	0.8~1	
Screw	M3.5	
Wire strip length	7~8mm	
Number of Positions		
ESK762V-XXP	02~12P	



Technical Data	UL	IEC
Rated voltage	300V	600V
Rated current	25A	24A
Solid (AWG/mm ²)	24~12	0.2~4
Flexible (AWG/mm ²)	24~12	0.2~2.5
Rated impulse voltage	6KV	
Torque (N-m)	0.4~0.5	
Screw	M2.5	
Wire strip length	6~7mm	
Number of Positions		
EHK3V-XXP	02~16P	



Technical Data	UL	IEC
Rated voltage	300V	750V
Rated current	30A	32A
Solid (AWG/mm ²)	24~10	0.2~4
Flexible (AWG/mm ²)	24~10	0.2~4
Rated impulse voltage	4KV	
Torque (N-m)	0.8~1	
Screw	M3.5	
Wire strip length	7~8mm	
Number of Positions		
EKB762V-XXP	04P, 06P.....32P	



9.52mm

EK950V-XXP

9.52mm

EK950HVN-XXP

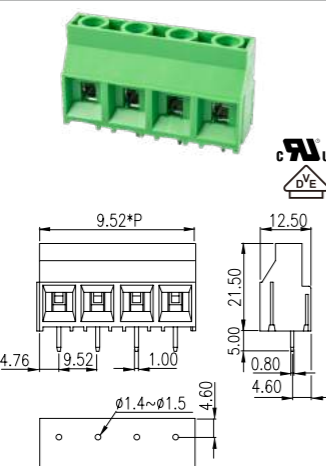
10.16mm

ESK116V-XXP

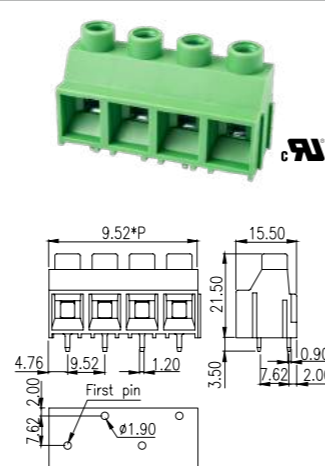
10.16mm

ESK116R-XXPAM

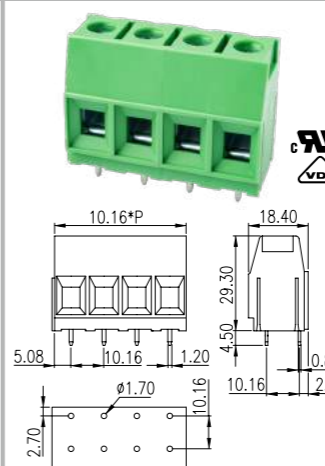
Technical Data	UL	IEC
Rated voltage	300V	1000V
Rated current	30A	32A
Solid (AWG/mm ²)	26~10	0.5~4
Flexible (AWG/mm ²)	26~10	0.5~4
Rated impulse voltage	8KV	
Torque (N-m)	0.5~0.8	
Screw	M3	
Wire strip length	7~8mm	
Number of Positions		
EK950V-XXP	02~25P	



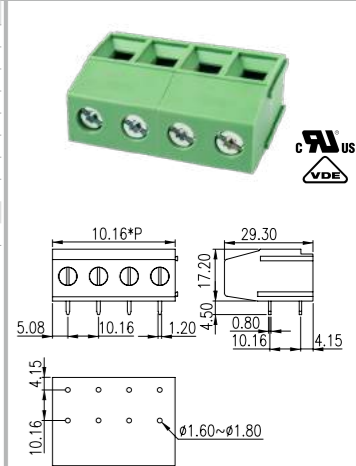
Technical Data	UL	IEC
Rated voltage	600V	1000V
Rated current	30A	32A
Solid (AWG/mm ²)	26~10	0.2~6
Flexible (AWG/mm ²)	26~10	0.2~4
Rated impulse voltage	8KV	
Torque (N-m)	0.5~0.6	
Screw	M3	
Wire strip length	7~8mm	
Number of Positions		
EK950HVN-XXP	02~25P	



Technical Data	UL	IEC
Rated voltage	300V	1000V
Rated current	65A	76A
Solid (AWG/mm ²)	20~6	0.5~16
Flexible (AWG/mm ²)	20~6	0.5~16
Rated impulse voltage	8KV	
Torque (N-m)	1.2~1.5	
Screw	M4	
Wire strip length	10~11mm	
Number of Positions		
ESK116V-XXP	02P, 03P.....	



Technical Data	UL	IEC
Rated voltage	300V	1000V
Rated current	65A	57A
Solid (AWG/mm ²)	20~6	0.5~10
Flexible (AWG/mm ²)	20~6	0.5~10
Rated impulse voltage	8KV	
Torque (N-m)	1.2~1.5	
Screw	M4	
Wire strip length	10~11mm	
Number of Positions		
EKB762V-XXP	02P, 03P.....	



10.16mm

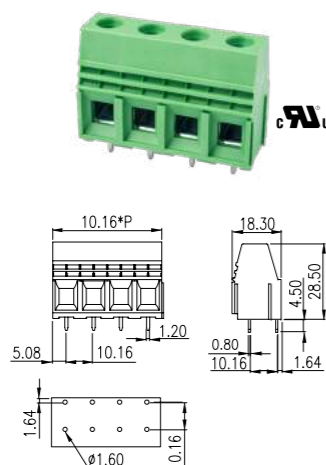
ESKW116V-XXP

10.16mm

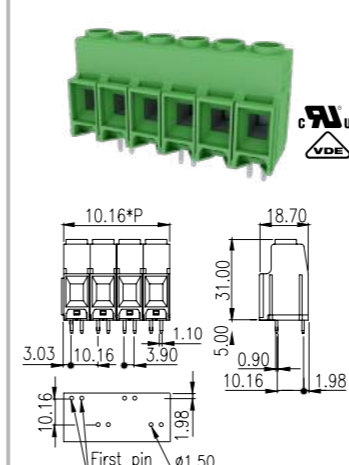
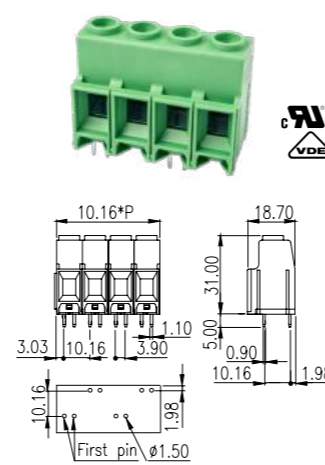
EPK116VN-XXP

EPK116VS-XXP

Technical Data	UL	IEC
Rated voltage	300V	630V
Rated current	65A	76A
Solid (AWG/mm ²)	22~6	0.5~16
Flexible (AWG/mm ²)	22~6	0.5~16
Rated impulse voltage	6KV	
Torque (N-m)	1.2~1.5	
Screw	M4	
Wire strip length	13~14mm	
Number of Positions		
ESKW116V-XXP	02~10P	



Technical Data	UL	IEC
Rated voltage	600V	1000V
Rated current	57A / 65A	76A
Solid (AWG/mm ²)	20~6	0.5~16
Flexible (AWG/mm ²)	20~6	0.5~16
Rated impulse voltage	8KV	
Torque (N-m)	1.2~1.5	
Screw	M4	
Wire strip length	12~13mm	
Number of Positions		
EPK116VN-XXP	02~16P	
EPK116VS-XXP	02~12P	



15.00mm

ESK150V-XXP

ESK150VM-XXP

17.5mm

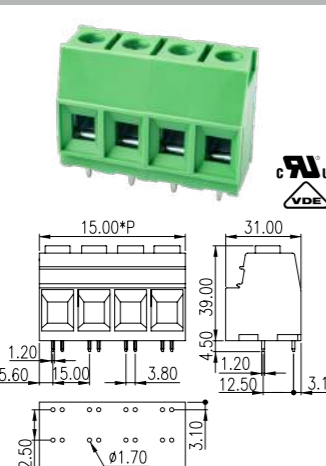
ESK175V-XXP

ESK175VM-XXP

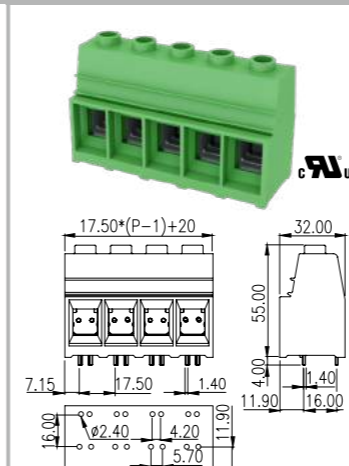
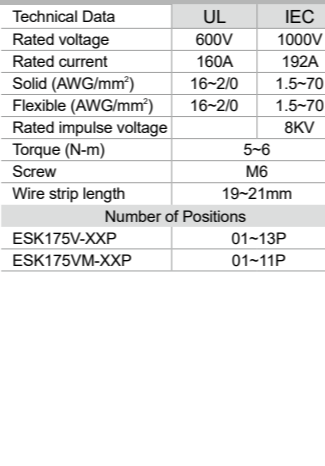
20.0mm

ESK200VM-XXP

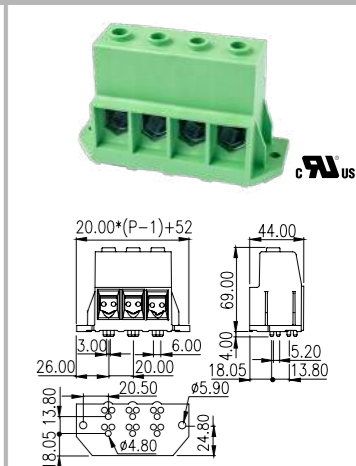
Technical Data	UL	IEC
Rated voltage	600V	1000V
Rated current	115A	125A
Solid (AWG/mm ²)	20~2	0.5~35
Flexible (AWG/mm ²)	20~2	0.5~35
Rated impulse voltage	8KV	
Torque (N-m)	3.8~4.5	
Screw	M5	
Wire strip length	18~19mm	
Number of Positions		
ESK150V-XXP	02~09P	
ESK150VM-XXP	01~07P	



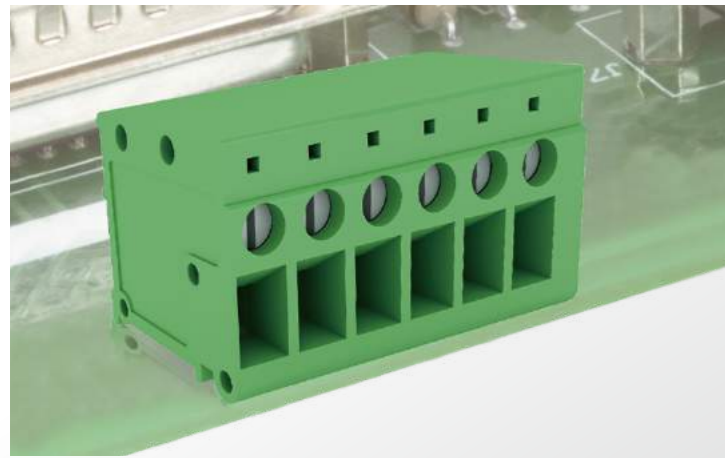
Technical Data	UL	IEC
Rated voltage	600V	1000V
Rated current	160A	192A
Solid (AWG/mm ²)	16~2/0	1.5~70
Flexible (AWG/mm ²)	16~2/0	1.5~70
Rated impulse voltage	8KV	
Torque (N-m)	5~6	
Screw	M6	
Wire strip length	19~21mm	
Number of Positions		
ESK175V-XXP	01~13P	
ESK175VM-XXP	01~11P	



Technical Data	UL	IEC
Rated voltage	600V	1000V
Rated current	200A	232A
Solid (AWG/mm ²)	6~3/0	16~95
Flexible (AWG/mm ²)	6~3/0	25~95
Rated impulse voltage	8KV	
Torque (N-m)	10~12	
Screw	M8	
Wire strip length	25~26mm	
Number of Positions		
ESK200VM-XXP	01~06P	



Front Entry Screw Connection Terminal Blocks



Connection method: Screw connection
Pitch: 5.00mm / 6.35mm / 7.50mm / 7.62mm
UL: 300V / 20A ~ 300V / 30A
IEC Rated: 300V / 24A ~ 750V / 24A

- 2 pins on each pole for excellent stability on PCB
- Versions with horizontal and vertical wire entry direction to the PCB
- High current capacity up to 30A for 7.62mm pitch products

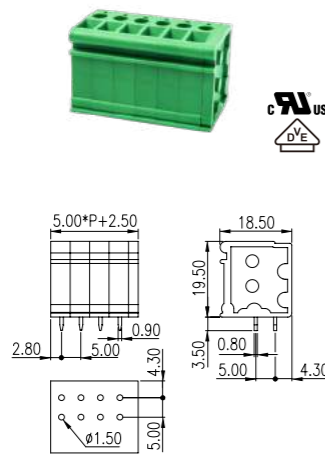
5.00mm

DT-123VA-XXP

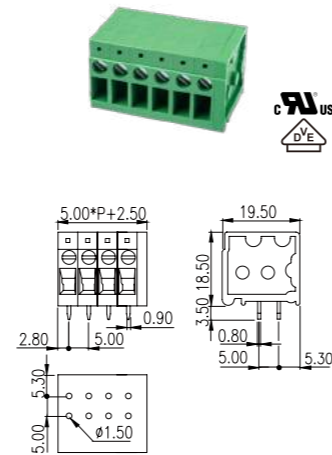
5.00mm

DT-123RA-XXP

Technical Data	UL	IEC
Rated voltage	300V	300V
Rated current	20A / 26A	24A
Solid (AWG/mm ²)	22~12	0.5~2.5
Flexible (AWG/mm ²)	22~12	0.5~2.5
Rated impulse voltage		4KV
Torque (N-m)	0.4~0.5	
Screw	M2.5	
Wire strip length	13~14mm	
Number of Positions		
DT-123VA-XXP	02~24P	



Technical Data	UL	IEC
Rated voltage	300V	320V
Rated current	20A / 26A	32A
Solid (AWG/mm ²)	22~12	0.5~4
Flexible (AWG/mm ²)	22~12	0.5~4
Rated impulse voltage		4KV
Torque (N-m)	0.4~0.5	
Screw	M2.5	
Wire strip length	13~14mm	
Number of Positions		
DT-123RA-XXP	02~24P	



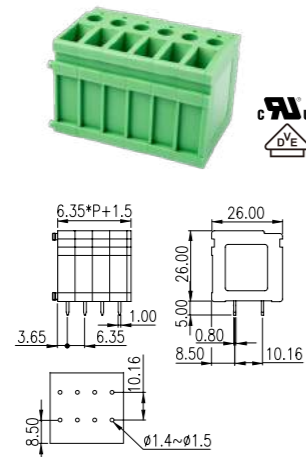
6.35mm

DT-2301-XXP

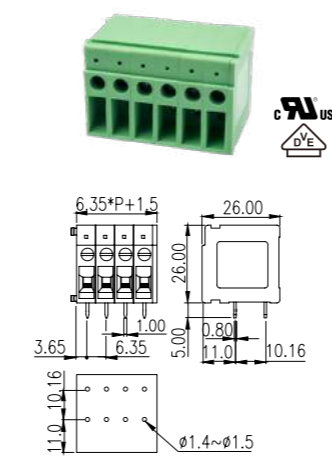
6.35mm

DT-2300-XXP

Technical Data	UL	IEC
Rated voltage	300V	320V
Rated current	30A	32A
Solid (AWG/mm ²)	22~10	0.5~6
Flexible (AWG/mm ²)	22~10	0.5~6
Rated impulse voltage		4KV
Torque (N-m)	0.5~0.6	
Screw	M3	
Wire strip length	13~14mm	
Number of Positions		
DT-2301-XXP	02~24P	



Technical Data	UL	IEC
Rated voltage	300V	320V
Rated current	30A	32A
Solid (AWG/mm ²)	22~10	0.5~6
Flexible (AWG/mm ²)	22~10	0.5~6
Rated impulse voltage		4KV
Torque (N-m)	0.5~0.6	
Screw	M3	
Wire strip length	13~14mm	
Number of Positions		
DT-2300-XXP	02~24P	



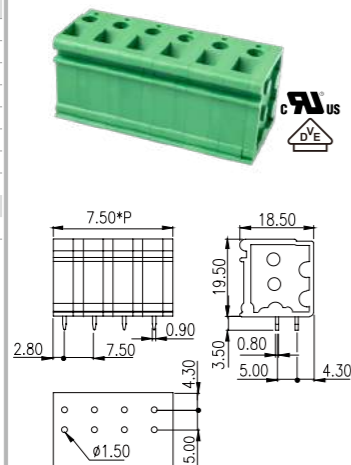
7.50mm

DT-123VA-XXP3

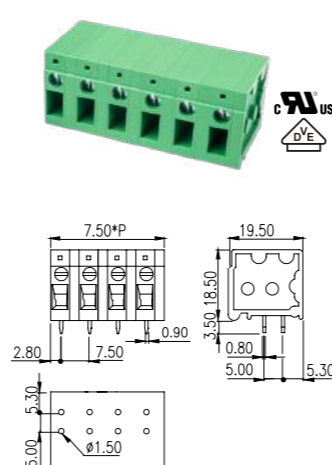
7.50mm

DT-123RA-XXP3

Technical Data	UL	IEC
Rated voltage	300V	630V
Rated current	20A / 26A	24A
Solid (AWG/mm ²)	22~12	0.5~2.5
Flexible (AWG/mm ²)	22~12	0.5~2.5
Rated impulse voltage		6KV
Torque (N-m)	0.5	
Screw	M2.5	
Wire strip length	13~14mm	
Number of Positions		
DT-123VA-XXP3	02~24P	



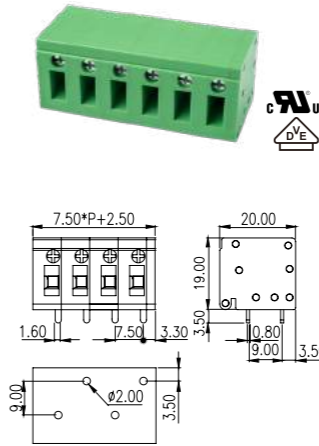
Technical Data	UL	IEC
Rated voltage	300V	500V
Rated current	20A / 26A	32A
Solid (AWG/mm ²)	22~12	0.5~4
Flexible (AWG/mm ²)	22~12	0.5~4
Rated impulse voltage		6KV
Torque (N-m)	0.5	
Screw	M2.5	
Wire strip length	13~14mm	
Number of Positions		
DT-123RA-XXP3	02~24P	



7.50mm

DT-123HVR-XXP

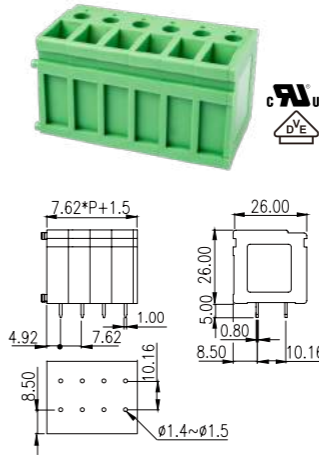
Technical Data	UL	IEC
Rated voltage	600V	1000V
Rated current	20A	24A
Solid (AWG/mm ²)	22~12	0.5~4
Flexible (AWG/mm ²)	22~12	0.5~4
Rated impulse voltage		8KV
Torque (N-m)	0.4~0.5	
Screw	M2.5	
Wire strip length	13~14mm	
Number of Positions		
DT-123HVR-XXP	02~24P	



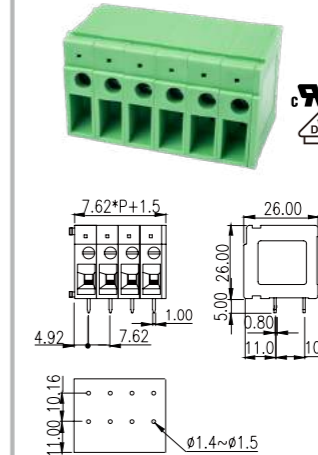
7.62mm

DT-2321-XXP

Technical Data	UL	IEC
Rated voltage	300V	630V
Rated current	30A	32A
Solid (AWG/mm ²)	22~10	0.5~6
Flexible (AWG/mm ²)	22~10	0.5~6
Rated impulse voltage		6KV
Torque (N-m)	0.5~0.6	
Screw	M3	
Wire strip length	13~14mm	
Number of Positions		
DT-2321-XXP	02~16P	
DT-2320-XXP	02~16P	



DT-2320-XXP

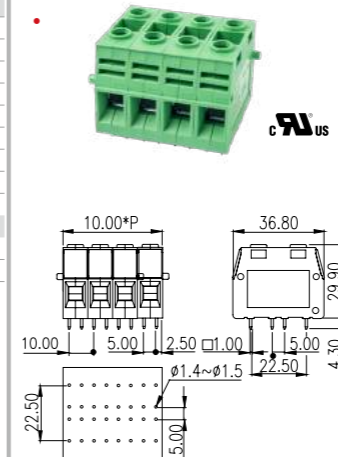


10.00mm

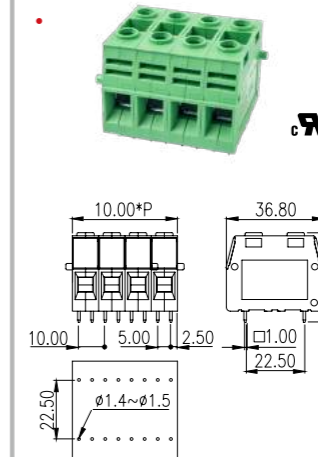
PDS-10-XX

Technical Data	UL	IEC
Rated voltage	300V	630V
Rated current	65A	57A
Solid (AWG/mm ²)	24~6	0.5~10
Flexible (AWG/mm ²)	24~6	0.5~10
Rated impulse voltage		4KV
Torque (N-m)	1.2~1.5	
Screw	M4	
Wire strip length	12~13mm	
Marking label	TM28	
Number of Positions		
PDS-10-XX	01P, 02P, 03P.....	
PDS-10S-XX	01P, 02P, 03P.....	

• Made to order



PDS-10S-XX

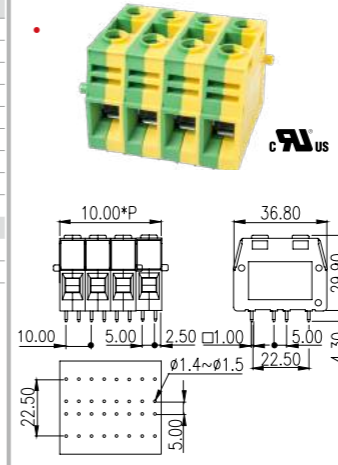


10.00mm

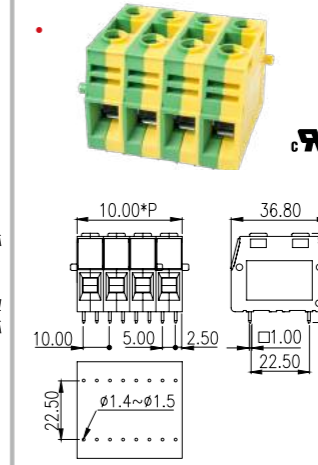
PDS-10A-XX

Technical Data	UL	IEC
Rated voltage	300V	630V
Rated current		
Solid (AWG/mm ²)	24~6	0.5~10
Flexible (AWG/mm ²)	24~6	0.5~10
Rated impulse voltage		4KV
Torque (N-m)	1.2~1.5	
Screw	M4	
Wire strip length	12~13mm	
Marking label	TM28	
Number of Positions		
PDS-10A-XX	01P, 02P, 03P.....	
PDS-10AS-XX	01P, 02P, 03P.....	

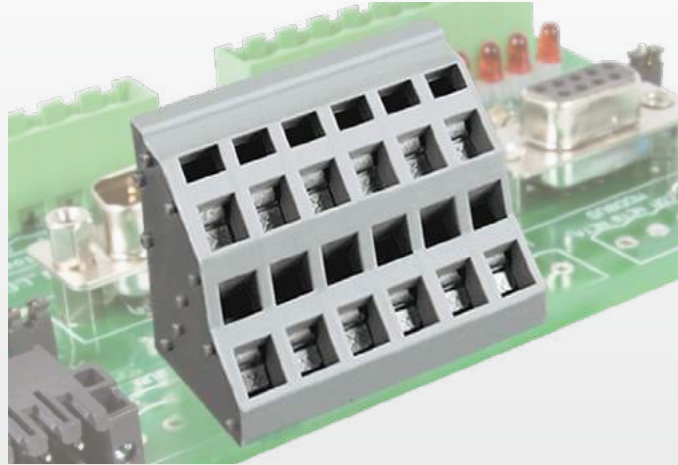
• Made to order



PDS-10SA-XX



Spring Clamp Connection PCB Terminal Blocks



Connection method: Spring clamp connection
 Pitch: 2.50mm / 5.00mm / 5.08mm / 7.50mm / 10mm
 UL Rated: 300V/4A~ 300V/57A
 IEC Rated: 130V/6A~ 450V/76A

- Versions with single, double, triple and four-level PCB terminal blocks
- Colored marking of individual pole is available by request

<h3>2.50mm</h3> <table border="1"> <tr><th colspan="3">Technical Data</th></tr> <tr><td>Rated voltage</td><td>UL 300V</td><td>IEC 130V</td></tr> <tr><td>Rated current</td><td>4A</td><td>6A</td></tr> <tr><td>Solid (AWG/mm²)</td><td>28~20</td><td>0.5</td></tr> <tr><td>Flexible (AWG/mm²)</td><td></td><td>0.5</td></tr> <tr><td>Rated impulse voltage</td><td colspan="2">2.5KV</td></tr> <tr><td>Wire strip length</td><td colspan="2">5~6mm</td></tr> <tr><th colspan="3">Number of Positions</th></tr> <tr><td>WKA250A-XXP</td><td colspan="2">02P, 03P, 04P.....</td></tr> <tr><td>WKV250A-XXP</td><td colspan="2">02P, 03P, 04P.....</td></tr> </table> <p>• Made to order</p>	Technical Data			Rated voltage	UL 300V	IEC 130V	Rated current	4A	6A	Solid (AWG/mm ²)	28~20	0.5	Flexible (AWG/mm ²)		0.5	Rated impulse voltage	2.5KV		Wire strip length	5~6mm		Number of Positions			WKA250A-XXP	02P, 03P, 04P.....		WKV250A-XXP	02P, 03P, 04P.....		<h3>WKA250A-XXP</h3>	<h3>WKV250A-XXP</h3>	<h3>2.54mm</h3> <table border="1"> <tr><th colspan="3">Technical Data</th></tr> <tr><td>Rated voltage</td><td>UL 300V</td><td>IEC 130V</td></tr> <tr><td>Rated current</td><td>4A</td><td>6A</td></tr> <tr><td>Solid (AWG/mm²)</td><td>28~20</td><td>0.5</td></tr> <tr><td>Flexible (AWG/mm²)</td><td></td><td>0.5</td></tr> <tr><td>Rated impulse voltage</td><td colspan="2">2.5KV</td></tr> <tr><td>Wire strip length</td><td colspan="2">5~6mm</td></tr> <tr><th colspan="3">Number of Positions</th></tr> <tr><td>WKA254A-XXP</td><td colspan="2">02P, 03P, 04P.....</td></tr> <tr><td>WKV254A-XXP</td><td colspan="2">02P, 03P, 04P.....</td></tr> </table> <p>• Made to order</p>	Technical Data			Rated voltage	UL 300V	IEC 130V	Rated current	4A	6A	Solid (AWG/mm ²)	28~20	0.5	Flexible (AWG/mm ²)		0.5	Rated impulse voltage	2.5KV		Wire strip length	5~6mm		Number of Positions			WKA254A-XXP	02P, 03P, 04P.....		WKV254A-XXP	02P, 03P, 04P.....		<h3>WKA254A-XXP</h3>	<h3>WKV254A-XXP</h3>																																																		
Technical Data																																																																																																																			
Rated voltage	UL 300V	IEC 130V																																																																																																																	
Rated current	4A	6A																																																																																																																	
Solid (AWG/mm ²)	28~20	0.5																																																																																																																	
Flexible (AWG/mm ²)		0.5																																																																																																																	
Rated impulse voltage	2.5KV																																																																																																																		
Wire strip length	5~6mm																																																																																																																		
Number of Positions																																																																																																																			
WKA250A-XXP	02P, 03P, 04P.....																																																																																																																		
WKV250A-XXP	02P, 03P, 04P.....																																																																																																																		
Technical Data																																																																																																																			
Rated voltage	UL 300V	IEC 130V																																																																																																																	
Rated current	4A	6A																																																																																																																	
Solid (AWG/mm ²)	28~20	0.5																																																																																																																	
Flexible (AWG/mm ²)		0.5																																																																																																																	
Rated impulse voltage	2.5KV																																																																																																																		
Wire strip length	5~6mm																																																																																																																		
Number of Positions																																																																																																																			
WKA254A-XXP	02P, 03P, 04P.....																																																																																																																		
WKV254A-XXP	02P, 03P, 04P.....																																																																																																																		
<h3>5.00mm</h3> <table border="1"> <tr><th colspan="3">Technical Data</th></tr> <tr><td>Rated voltage</td><td>UL 300V</td><td>IEC 450V</td></tr> <tr><td>Rated current</td><td>15A</td><td>24A</td></tr> <tr><td>Solid (AWG/mm²)</td><td>28~12</td><td>0.5~2.5</td></tr> <tr><td>Flexible (AWG/mm²)</td><td>28~12</td><td>0.5~2.5</td></tr> <tr><td>Rated impulse voltage</td><td colspan="2">4KV</td></tr> <tr><td>Wire strip length</td><td colspan="2">5~6mm</td></tr> <tr><th colspan="3">Number of Positions</th></tr> <tr><td>WKA500-XXP</td><td colspan="2">02P, 03P, 04P.....</td></tr> </table>	Technical Data			Rated voltage	UL 300V	IEC 450V	Rated current	15A	24A	Solid (AWG/mm ²)	28~12	0.5~2.5	Flexible (AWG/mm ²)	28~12	0.5~2.5	Rated impulse voltage	4KV		Wire strip length	5~6mm		Number of Positions			WKA500-XXP	02P, 03P, 04P.....		<h3>WKA500-XXP</h3>	<h3>5.00mm</h3> <table border="1"> <tr><th colspan="3">Technical Data</th></tr> <tr><td>Rated voltage</td><td>UL 300V</td><td>IEC 450V</td></tr> <tr><td>Rated current</td><td>10A</td><td>24A</td></tr> <tr><td>Solid (AWG/mm²)</td><td>28~12</td><td>0.5~2.5</td></tr> <tr><td>Flexible (AWG/mm²)</td><td>28~12</td><td>0.5~2.5</td></tr> <tr><td>Rated impulse voltage</td><td colspan="2">4KV</td></tr> <tr><td>Wire strip length</td><td colspan="2">6~7mm</td></tr> <tr><th colspan="3">Number of Positions</th></tr> <tr><td>WKK500-XXP</td><td colspan="2">04P, 06P, 08P.....</td></tr> <tr><td>W3K500-XXP</td><td colspan="2">06P, 09P, 12P.....</td></tr> <tr><td>W4K500-XXP</td><td colspan="2">08P, 12P, 16P.....</td></tr> </table>	Technical Data			Rated voltage	UL 300V	IEC 450V	Rated current	10A	24A	Solid (AWG/mm ²)	28~12	0.5~2.5	Flexible (AWG/mm ²)	28~12	0.5~2.5	Rated impulse voltage	4KV		Wire strip length	6~7mm		Number of Positions			WKK500-XXP	04P, 06P, 08P.....		W3K500-XXP	06P, 09P, 12P.....		W4K500-XXP	08P, 12P, 16P.....		<h3>WKK500-XXP</h3>	<h3>W3K500-XXP</h3>	<h3>W4K500-XXP</h3>																																																		
Technical Data																																																																																																																			
Rated voltage	UL 300V	IEC 450V																																																																																																																	
Rated current	15A	24A																																																																																																																	
Solid (AWG/mm ²)	28~12	0.5~2.5																																																																																																																	
Flexible (AWG/mm ²)	28~12	0.5~2.5																																																																																																																	
Rated impulse voltage	4KV																																																																																																																		
Wire strip length	5~6mm																																																																																																																		
Number of Positions																																																																																																																			
WKA500-XXP	02P, 03P, 04P.....																																																																																																																		
Technical Data																																																																																																																			
Rated voltage	UL 300V	IEC 450V																																																																																																																	
Rated current	10A	24A																																																																																																																	
Solid (AWG/mm ²)	28~12	0.5~2.5																																																																																																																	
Flexible (AWG/mm ²)	28~12	0.5~2.5																																																																																																																	
Rated impulse voltage	4KV																																																																																																																		
Wire strip length	6~7mm																																																																																																																		
Number of Positions																																																																																																																			
WKK500-XXP	04P, 06P, 08P.....																																																																																																																		
W3K500-XXP	06P, 09P, 12P.....																																																																																																																		
W4K500-XXP	08P, 12P, 16P.....																																																																																																																		
<h3>5.00mm</h3> <table border="1"> <tr><th colspan="3">Technical Data</th></tr> <tr><td>Rated voltage</td><td>UL 300V</td><td>IEC 320V</td></tr> <tr><td>Rated current</td><td>15A</td><td>24A</td></tr> <tr><td>Solid (AWG/mm²)</td><td>28~12</td><td>0.2~2.5</td></tr> <tr><td>Flexible (AWG/mm²)</td><td>28~12</td><td>0.2~2.5</td></tr> <tr><td>Rated impulse voltage</td><td colspan="2">4KV</td></tr> <tr><td>Wire strip length</td><td colspan="2">5~6mm</td></tr> <tr><th colspan="3">Number of Positions</th></tr> <tr><td>WKA500-XXPL</td><td colspan="2">02~12P</td></tr> </table>	Technical Data			Rated voltage	UL 300V	IEC 320V	Rated current	15A	24A	Solid (AWG/mm ²)	28~12	0.2~2.5	Flexible (AWG/mm ²)	28~12	0.2~2.5	Rated impulse voltage	4KV		Wire strip length	5~6mm		Number of Positions			WKA500-XXPL	02~12P		<h3>WKA500-XXPL</h3>	<h3>5.08mm</h3> <table border="1"> <tr><th colspan="3">Technical Data</th></tr> <tr><td>Rated voltage</td><td>UL 300V</td><td>IEC 450V</td></tr> <tr><td>Rated current</td><td>15A</td><td>24A</td></tr> <tr><td>Solid (AWG/mm²)</td><td>28~12</td><td>0.5~2.5</td></tr> <tr><td>Flexible (AWG/mm²)</td><td>28~12</td><td>0.5~2.5</td></tr> <tr><td>Rated impulse voltage</td><td colspan="2">4KV</td></tr> <tr><td>Wire strip length</td><td colspan="2">5~6mm</td></tr> <tr><th colspan="3">Number of Positions</th></tr> <tr><td>WKA508-XXP</td><td colspan="2">02P, 03P, 04P.....</td></tr> </table>	Technical Data			Rated voltage	UL 300V	IEC 450V	Rated current	15A	24A	Solid (AWG/mm ²)	28~12	0.5~2.5	Flexible (AWG/mm ²)	28~12	0.5~2.5	Rated impulse voltage	4KV		Wire strip length	5~6mm		Number of Positions			WKA508-XXP	02P, 03P, 04P.....		<h3>WKA508-XXP</h3>	<h3>5.08mm</h3> <table border="1"> <tr><th colspan="3">Technical Data</th></tr> <tr><td>Rated voltage</td><td>UL 300V</td><td>IEC 450V</td></tr> <tr><td>Rated current</td><td>10A</td><td>24A</td></tr> <tr><td>Solid (AWG/mm²)</td><td>28~12</td><td>0.5~2.5</td></tr> <tr><td>Flexible (AWG/mm²)</td><td>28~12</td><td>0.5~2.5</td></tr> <tr><td>Rated impulse voltage</td><td colspan="2">4KV</td></tr> <tr><td>Wire strip length</td><td colspan="2">6~7mm</td></tr> <tr><th colspan="3">Number of Positions</th></tr> <tr><td>WKK508-XXP</td><td colspan="2">04P, 06P, 08P.....</td></tr> <tr><td>W3K508-XXP</td><td colspan="2">06P, 09P, 12P.....</td></tr> <tr><td>W4K508-XXP</td><td colspan="2">08P, 12P, 16P.....</td></tr> </table>	Technical Data			Rated voltage	UL 300V	IEC 450V	Rated current	10A	24A	Solid (AWG/mm ²)	28~12	0.5~2.5	Flexible (AWG/mm ²)	28~12	0.5~2.5	Rated impulse voltage	4KV		Wire strip length	6~7mm		Number of Positions			WKK508-XXP	04P, 06P, 08P.....		W3K508-XXP	06P, 09P, 12P.....		W4K508-XXP	08P, 12P, 16P.....		<h3>WKK508-XXP</h3>	<h3>W3K508-XXP</h3>	<h3>W4K508-XXP</h3>																					
Technical Data																																																																																																																			
Rated voltage	UL 300V	IEC 320V																																																																																																																	
Rated current	15A	24A																																																																																																																	
Solid (AWG/mm ²)	28~12	0.2~2.5																																																																																																																	
Flexible (AWG/mm ²)	28~12	0.2~2.5																																																																																																																	
Rated impulse voltage	4KV																																																																																																																		
Wire strip length	5~6mm																																																																																																																		
Number of Positions																																																																																																																			
WKA500-XXPL	02~12P																																																																																																																		
Technical Data																																																																																																																			
Rated voltage	UL 300V	IEC 450V																																																																																																																	
Rated current	15A	24A																																																																																																																	
Solid (AWG/mm ²)	28~12	0.5~2.5																																																																																																																	
Flexible (AWG/mm ²)	28~12	0.5~2.5																																																																																																																	
Rated impulse voltage	4KV																																																																																																																		
Wire strip length	5~6mm																																																																																																																		
Number of Positions																																																																																																																			
WKA508-XXP	02P, 03P, 04P.....																																																																																																																		
Technical Data																																																																																																																			
Rated voltage	UL 300V	IEC 450V																																																																																																																	
Rated current	10A	24A																																																																																																																	
Solid (AWG/mm ²)	28~12	0.5~2.5																																																																																																																	
Flexible (AWG/mm ²)	28~12	0.5~2.5																																																																																																																	
Rated impulse voltage	4KV																																																																																																																		
Wire strip length	6~7mm																																																																																																																		
Number of Positions																																																																																																																			
WKK508-XXP	04P, 06P, 08P.....																																																																																																																		
W3K508-XXP	06P, 09P, 12P.....																																																																																																																		
W4K508-XXP	08P, 12P, 16P.....																																																																																																																		
<h3>5.00mm</h3> <table border="1"> <tr><th colspan="3">Technical Data</th></tr> <tr><td>Rated voltage</td><td>UL 300V</td><td>IEC 320V</td></tr> <tr><td>Rated current</td><td>10A</td><td>17.5A</td></tr> <tr><td>Solid (AWG/mm²)</td><td>24~16</td><td>0.2~1.5</td></tr> <tr><td>Flexible (AWG/mm²)</td><td>24~16</td><td>0.2~1.5</td></tr> <tr><td>Rated impulse voltage</td><td colspan="2">4KV</td></tr> <tr><td>Wire strip length</td><td colspan="2">9~10mm</td></tr> <tr><th colspan="3">Number of Positions</th></tr> <tr><td>WKA50B-XXP</td><td colspan="2">02P, 03P.....</td></tr> </table>	Technical Data			Rated voltage	UL 300V	IEC 320V	Rated current	10A	17.5A	Solid (AWG/mm ²)	24~16	0.2~1.5	Flexible (AWG/mm ²)	24~16	0.2~1.5	Rated impulse voltage	4KV		Wire strip length	9~10mm		Number of Positions			WKA50B-XXP	02P, 03P.....		<h3>WKA50B-XXP</h3>	<h3>5.00mm</h3> <table border="1"> <tr><th colspan="3">Technical Data</th></tr> <tr><td>Rated voltage</td><td>UL 300V</td><td>IEC 250V</td></tr> <tr><td>Rated current</td><td>15A</td><td>24A</td></tr> <tr><td>Solid (AWG/mm²)</td><td>28~12</td><td>0.5~4</td></tr> <tr><td>Flexible (AWG/mm²)</td><td></td><td>0.5~4</td></tr> <tr><td>Rated impulse voltage</td><td colspan="2">4KV</td></tr> <tr><td>Wire strip length</td><td colspan="2">10~11mm</td></tr> <tr><th colspan="3">Number of Positions</th></tr> <tr><td>WSKA500S-XXP</td><td colspan="2">02P, 03P.....</td></tr> </table>	Technical Data			Rated voltage	UL 300V	IEC 250V	Rated current	15A	24A	Solid (AWG/mm ²)	28~12	0.5~4	Flexible (AWG/mm ²)		0.5~4	Rated impulse voltage	4KV		Wire strip length	10~11mm		Number of Positions			WSKA500S-XXP	02P, 03P.....		<h3>WSKA500S-XXP</h3>	<h3>7.50mm</h3> <table border="1"> <tr><th colspan="3">Technical Data</th></tr> <tr><td>Rated voltage</td><td>UL 300V</td><td>IEC 750V</td></tr> <tr><td>Rated current</td><td>30A</td><td>41A</td></tr> <tr><td>Solid (AWG/mm²)</td><td></td><td>0.5~6</td></tr> <tr><td>Flexible (AWG/mm²)</td><td>26~10</td><td>0.5~6</td></tr> <tr><td>Rated impulse voltage</td><td colspan="2">6KV</td></tr> <tr><td>Wire strip length</td><td colspan="2">14~15mm</td></tr> <tr><th colspan="3">Number of Positions</th></tr> <tr><td>WSKA750S-XXP</td><td colspan="2">02P, 03P.....</td></tr> </table>	Technical Data			Rated voltage	UL 300V	IEC 750V	Rated current	30A	41A	Solid (AWG/mm ²)		0.5~6	Flexible (AWG/mm ²)	26~10	0.5~6	Rated impulse voltage	6KV		Wire strip length	14~15mm		Number of Positions			WSKA750S-XXP	02P, 03P.....		<h3>WSKA750S-XXP</h3>	<h3>10.00mm</h3> <table border="1"> <tr><th colspan="3">Technical Data</th></tr> <tr><td>Rated voltage</td><td>UL 300V</td><td>IEC 450V</td></tr> <tr><td>Rated current</td><td>57A</td><td>76A</td></tr> <tr><td>Solid (AWG/mm²)</td><td>24~6</td><td>0.5~16</td></tr> <tr><td>Flexible (AWG/mm²)</td><td>24~6</td><td>0.5~16</td></tr> <tr><td>Rated impulse voltage</td><td colspan="2">4KV</td></tr> <tr><td>Wire strip length</td><td colspan="2">14~15mm</td></tr> <tr><th colspan="3">Number of Positions</th></tr> <tr><td>WSKA100-XXP</td><td colspan="2">02P, 03P.....</td></tr> </table>	Technical Data			Rated voltage	UL 300V	IEC 450V	Rated current	57A	76A	Solid (AWG/mm ²)	24~6	0.5~16	Flexible (AWG/mm ²)	24~6	0.5~16	Rated impulse voltage	4KV		Wire strip length	14~15mm		Number of Positions			WSKA100-XXP	02P, 03P.....		<h3>WSKA100-XXP</h3>
Technical Data																																																																																																																			
Rated voltage	UL 300V	IEC 320V																																																																																																																	
Rated current	10A	17.5A																																																																																																																	
Solid (AWG/mm ²)	24~16	0.2~1.5																																																																																																																	
Flexible (AWG/mm ²)	24~16	0.2~1.5																																																																																																																	
Rated impulse voltage	4KV																																																																																																																		
Wire strip length	9~10mm																																																																																																																		
Number of Positions																																																																																																																			
WKA50B-XXP	02P, 03P.....																																																																																																																		
Technical Data																																																																																																																			
Rated voltage	UL 300V	IEC 250V																																																																																																																	
Rated current	15A	24A																																																																																																																	
Solid (AWG/mm ²)	28~12	0.5~4																																																																																																																	
Flexible (AWG/mm ²)		0.5~4																																																																																																																	
Rated impulse voltage	4KV																																																																																																																		
Wire strip length	10~11mm																																																																																																																		
Number of Positions																																																																																																																			
WSKA500S-XXP	02P, 03P.....																																																																																																																		
Technical Data																																																																																																																			
Rated voltage	UL 300V	IEC 750V																																																																																																																	
Rated current	30A	41A																																																																																																																	
Solid (AWG/mm ²)		0.5~6																																																																																																																	
Flexible (AWG/mm ²)	26~10	0.5~6																																																																																																																	
Rated impulse voltage	6KV																																																																																																																		
Wire strip length	14~15mm																																																																																																																		
Number of Positions																																																																																																																			
WSKA750S-XXP	02P, 03P.....																																																																																																																		
Technical Data																																																																																																																			
Rated voltage	UL 300V	IEC 450V																																																																																																																	
Rated current	57A	76A																																																																																																																	
Solid (AWG/mm ²)	24~6	0.5~16																																																																																																																	
Flexible (AWG/mm ²)	24~6	0.5~16																																																																																																																	
Rated impulse voltage	4KV																																																																																																																		
Wire strip length	14~15mm																																																																																																																		
Number of Positions																																																																																																																			
WSKA100-XXP	02P, 03P.....																																																																																																																		

PCB Terminal Blocks For Electronic Housing Applications



Connection method: Push-in connection / screw connection

Pitch: 5.00mm / 5.08mm / 9.00mm / 12.5mm

UL Rated: 300V / 8A ~ 300V / 20A
IEC Rated: 320V / 10A ~ 630V / 24A

- Versions with LED light pipe on 0171 series

- 5ESDT plug (p. 55) is the mating plug for 5EH-XXP sockets

- The terminal block design aims to increase the density of connections on PCB while using as less space as possible, the terminal pins are situated at a right angle of the wire entry direction.

DIN rail connector for DIN rail mounting in 5 pole gold-plated contacts, which helps to connect the modules on the DIN rail to play the role of power and signal transmission. BST-220-05 in black housing is for output function. The connectors fit enclosures in the width of 6.2mm, 17.5mm and 22mm.

3.81mm			BST-111-05		BST-112-05		BST-120-05	
Technical Data	UL	IEC						
Rated voltage	150V	320V						
Rated current	8A	14A						
Number of Positions								
BST-111-05		05P						
BST-112-05		05P						
BST-120-05		05P						
Thickness of applied enclosure								
BST-111-05		17.5 mm						
BST-112-05		22.5 mm						
BST-120-05		6.2 mm						

3.81mm			BST-220-05	
Technical Data	UL	IEC		
Rated voltage	150V	320V		
Rated current	8A	14A		
Number of Positions				
BST-220-05		05P		
Thickness of applied enclosure				
BST-220-05		6.2 mm		

5.08mm			0228-21XX		0228-22XX		0228-23XX	
Technical Data	UL	IEC						
Rated voltage	300V	320V						
Rated current	8A	10A						
Solid (AWG/mm²)	28~16	0.2~1.5						
Flexible (AWG/mm²)	28~16	0.2~1.5						
Rated impulse voltage		4KV						
Wire strip length	8~9mm							
Number of Positions								
0228-21XX		04~40P						
0228-22XX		04~40P						
0228-23XX		04~40P						

9.00mm			0171-10XX		0171-11XX		0171-60XX	
Technical Data	UL	IEC						
Number of Positions								
0171-10XX		300V 320V						
0171-11XX		300V 320V						
0171-60XX		300V 630V						
Rated current								
0171-10XX		8A 14A						
0171-11XX		8A 14A						
0171-60XX		8A 15A						
Solid (AWG/mm²)								
Flexible (AWG/mm²)								
Rated impulse voltage								
0171-10XX		4KV						
0171-11XX		4KV						
0171-60XX		6KV						
Wire strip length	7~8mm							
Number of Positions								
0171-10XX		02~08P						
0171-11XX		02~08P						
0171-60XX		01~04P						

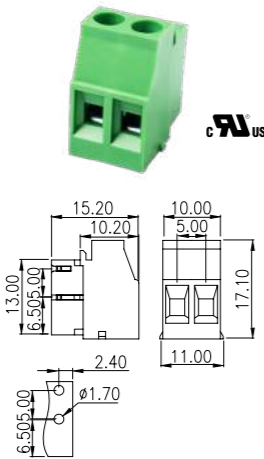
12.50mm			0171-20XX		0171-21XX	
Technical Data	UL	IEC				
Rated voltage	300V	320V				
Rated current	15A	20A				
Solid (AWG/mm²)	24~12	0.2~2.5				
Flexible (AWG/mm²)	24~12	0.2~2.5				
Rated impulse voltage		4KV				
Wire strip length	9~10mm					
Number of Positions						
0171-20XX		02~08P				
0171-21XX		02~08P				

5.00mm

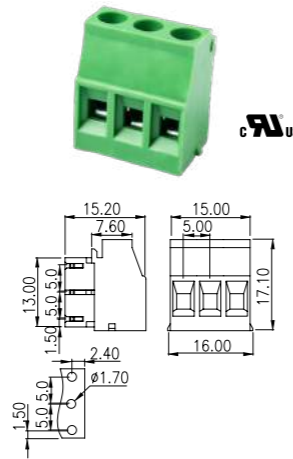
Technical Data	UL	IEC
Rated voltage	300V	400V
Rated current	10A	24A
Solid (AWG/mm ²)	22~14	0.2~2.5
Flexible (AWG/mm ²)	22~14	0.2~2.5
Rated impulse voltage	2KV	4KV
Torque (N·m)	0.4~0.5	
Screw	M2.5	
Wire strip length	7~8mm	

Number of Positions		
5ES-2PL	02P	
5ES-3PL	03P	
5ES-4PL	04P	
5ES-2PR	02P	
5ES-3PR	03P	
5ES-4PR	04P	

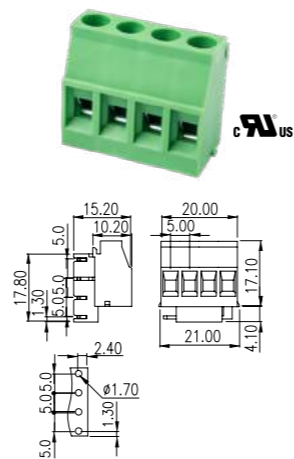
5ES-2PL



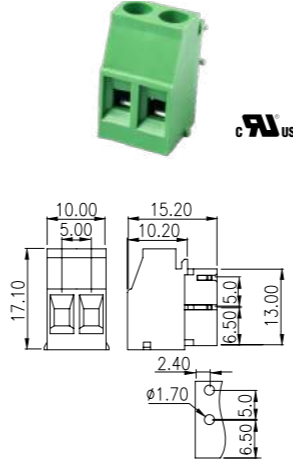
5ES-3PL



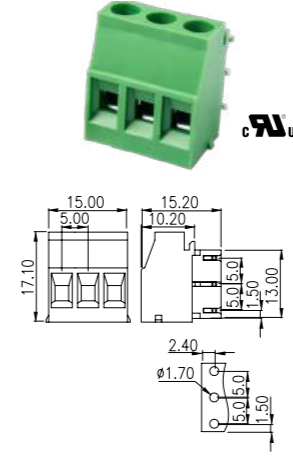
5ES-4PL



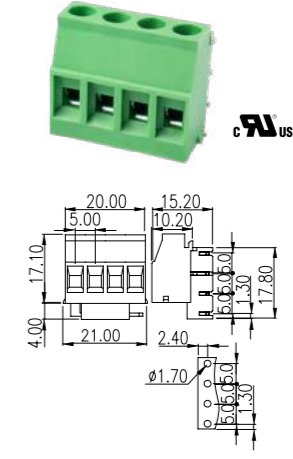
5ES-2PR



5ES-3PR



5ES-4PR



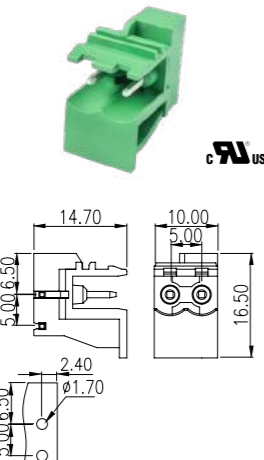
5.00mm

Technical Data	UL	IEC
Rated voltage	300V	630V
Rated current	15A	18A
Rated impulse voltage	4KV	

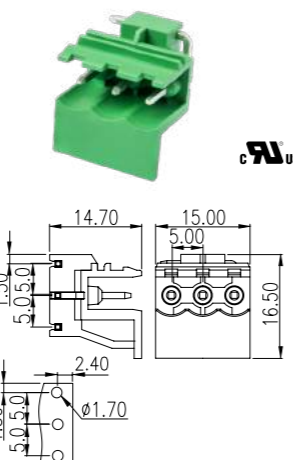
Number of Positions		
5EH-2PL	02P	
5EH-3PL	03P	
5EH-4PL	04P	
5EH-2PR	02P	
5EH-3PR	03P	
5EH-4PR	04P	

Accessories		
EHDK1	P68	
EHDK1L	P68	

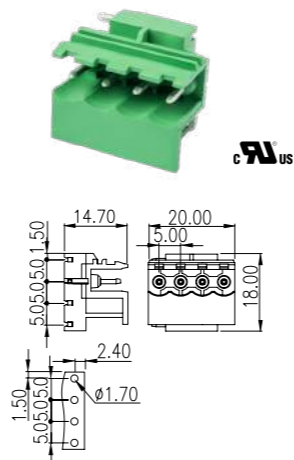
5EH-2PL 5EH-2PLL



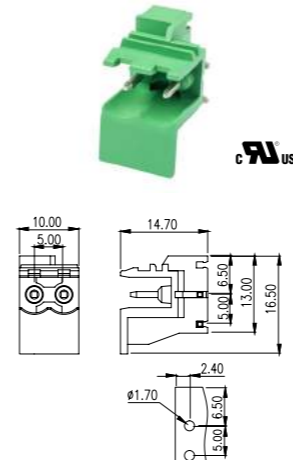
5EH-3PL 5EH-3PLL



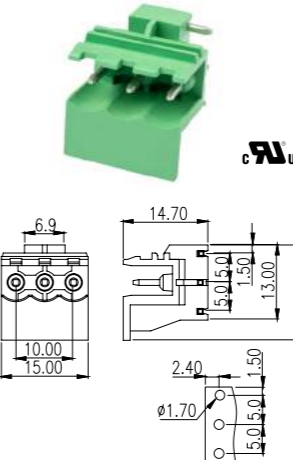
5EH-4PL 5EH-4PLL



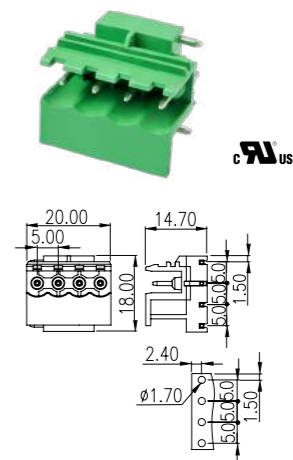
5EH-2PR 5EH-2PRL



5EH-3PR 5EH-3PRL



5EH-4PR 5EH-4PRL



5ESDT-XXP



Refer to P.55

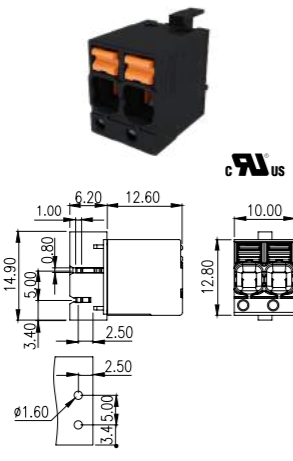
5.00mm

Technical Data	UL	IEC
Rated voltage	300	320
Rated current	20	24
Solid (AWG/mm ²)	24~12	0.2~2.5
Flexible (AWG/mm ²)	24~12	0.2~4
Rated impulse voltage	4KV	
Wire strip length	10~11mm	

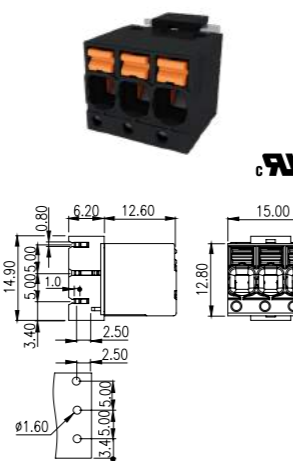
Number of Positions		
0189-202PL	02P	
0189-202PR	02P	
0189-203PL	03P	
0189-203PR	03P	
0189-204PL	04P	
0189-204PR	04P	
0189-212PL	02P	
0189-212PR	02P	
0189-213PL	03P	
0189-213PR	03P	
0189-214PL	04P	
0189-214PR	04P	

* The series is all with light pipe.

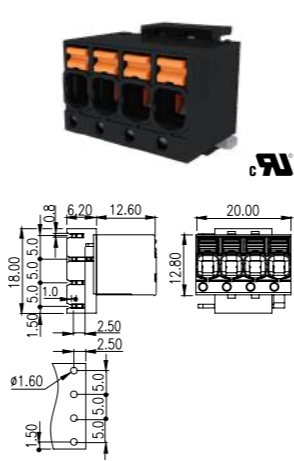
0189-202PL



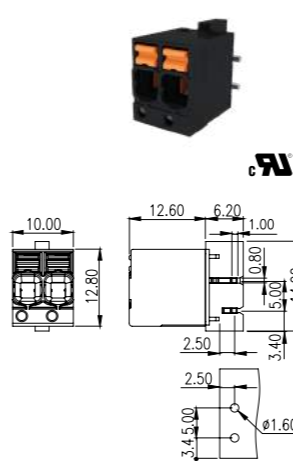
0189-203PL



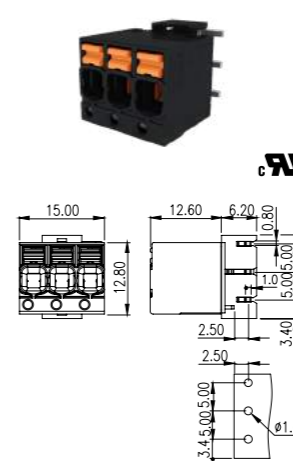
0189-204PL



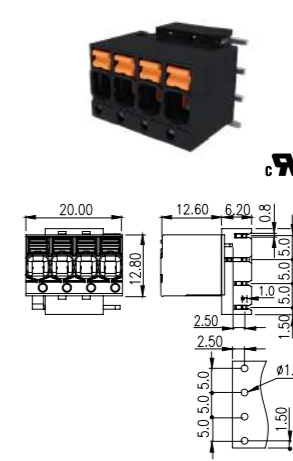
0189-202PR



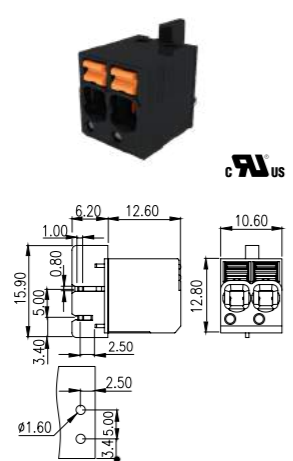
0189-203PR



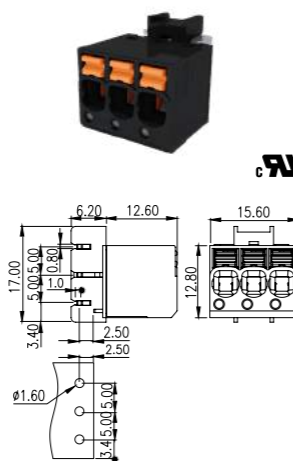
0189-204PR



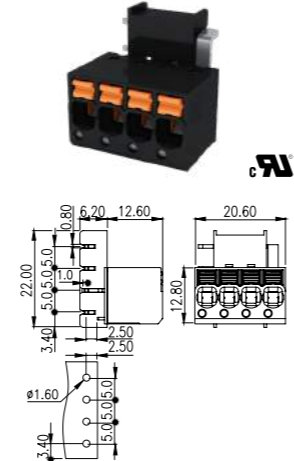
0189-212PL



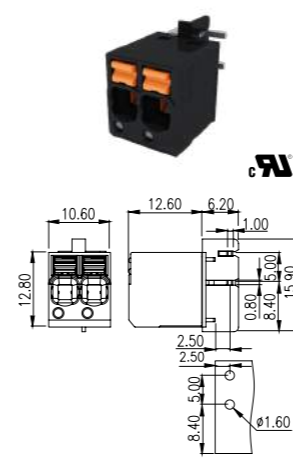
0189-213PL



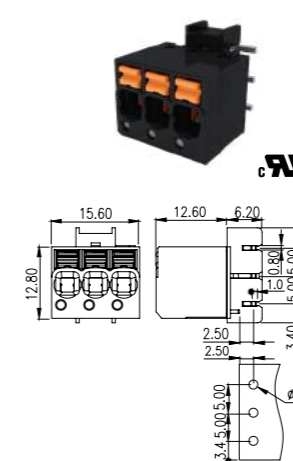
0189-214PL



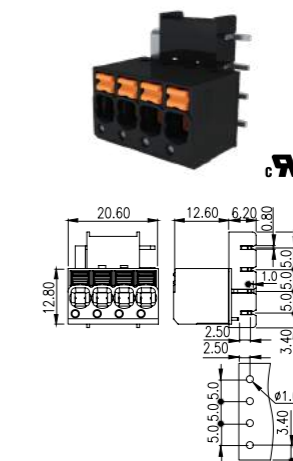
0189-212PR



0189-213PR



0189-214PR



7.50mm		7ES-3PL	7ES-3PR
Technical Data	UL	IEC	
Rated voltage	300V	630V	
Rated current	20A	24A	
Solid (AWG/mm ²)	30~12	0.2~2.5	
Flexible (AWG/mm ²)	30~12	0.2~2.5	
Rated impulse voltage		6KV	
Torque (N-m)	0.4~0.5		
Screw	M2.5		
Wire strip length	7~8mm		
Number of Positions			
7ES-3PL	03P		
7ES-3PR	03P		

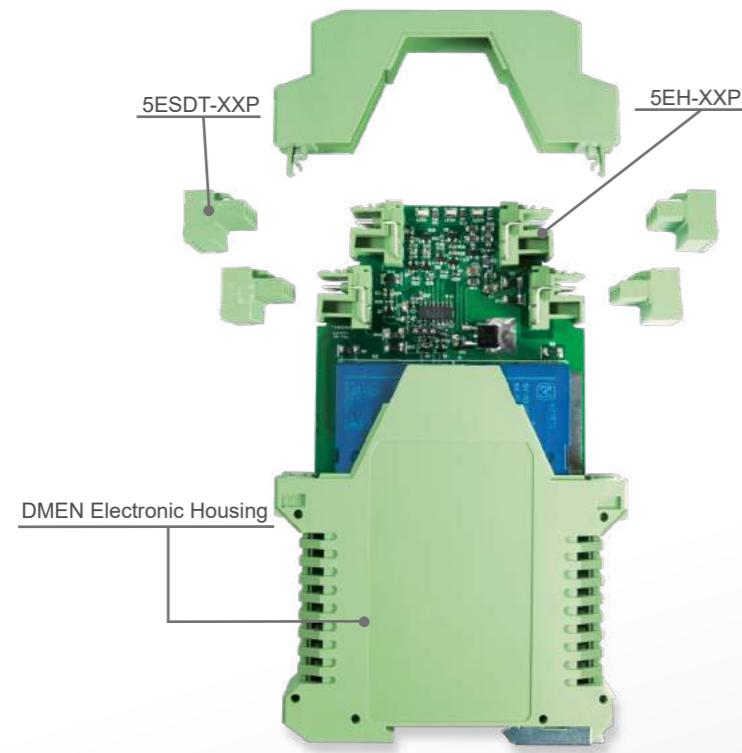
Panel Feed-through Terminal Blocks



Solutions for many industrial applications: for wall thicknesses from 1 mm to 6 mm, currents up to 230A, voltages up to 630V (IEC).

Cross section: 4~95mm²
UL Rated: 300V / 30A ~ 600V / 230A
IEC Rated: 400V / 41A ~ 1000V / 232A

PPAC series terminal blocks are particularly useful in the field of telecommunications and power distribution. The product range also supports electrical equipment manufacturers of filters, converters, inverters, transformers, power supplies and industrial batteries.



5ES and 5EH series terminal blocks are designed specifically for electronic housing DMEN type.

5ES series are PCB type terminal blocks, and is adopting elevated wire cage with screw connection.


5EH series are headers(sockets) which are compatible with 5ESDT plug (P. 55).

Please pay attention to identify left and right side features when using this product range. Please visit www.dinkle.com for more information on electronic housing DMEN type.

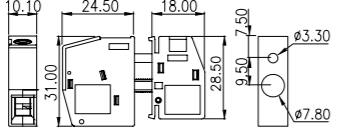
Specification	PPACN-4	PPACNV-4
Technical Data	UL	IEC
Rated voltage	300V	400V
Rated current	30A	41A
Wire range (AWG/mm ²)	30~10	0.2~6
Rated impulse voltage	6KV	
Torque (N-m)	0.5~0.6	
Screw	M3	
Wire strip length	9~10mm	
Insulating material	PA	
Outer dimension	T x H x W (mm)	
PPACN-4	8.1 x 21 x 20	
PPACNV-4	8.1 x 21 x 24.5	
Inner dimension	T x H x W (mm)	
PPACN-4	8.1 x 21 x 15	
PPACNV-4	8.1 x 21 x 15	
Marking label	TM49	
Voltage on metal panel:	1.0~2.5mm 400V 2.5~4.0mm 320V	
Voltage on plastic panel:	500V	


Specification	PPACNVH-4	PPAC-4SS	PPAC-4SSG
Technical Data	UL	IEC	
Rated voltage	300V	400V	
Rated current	30A	41A	
Wire range (AWG/mm ²)	30~10	0.2~6	
Rated impulse voltage	6KV		
Torque (N-m)	0.5~0.6		
Screw	M3		
Wire strip length	9~10mm		
Insulating material	PA		
Outer dimension	T x H x W (mm)		
PPACNVH-4	8.1 x 22.5 x 24.5		
PPAC-4SS	10 x 20.5 x 10.9		
PPAC-4SSG	10 x 20.5 x 10.9		
Outer dimension	T x H x W (mm)		
PPACNVH-4	8.1 x 21 x 15		
PPAC-4SS	9.8 x 9.8 x 14.6		
PPAC-4SSG	9.8 x 9.8 x 14.6		
Marking label	TM49		
Voltage on metal panel:	1~2.5mm 400V 2.5~4mm 320V		
Voltage on plastic panel:	500V		

Specification		
Technical Data	UL	IEC
Rated voltage	300V	400V
Rated current	65A	76A
Wire range (AWG/mm ²)	24-6	0.5-16
Rated impulse voltage	6KV	
Torque (N-m)	1.5-1.7	
Screw	M4	
Wire strip length	10-11mm	
Insulating material	PA	
Outer dimension	T x H x W (mm)	
PPACN-10	10.1 x 31 x 24.5	
PPACN-10Z	10.1 x 31 x 24.5	
PPACN-10AS	10.1 x 31 x 24.5	
Inner dimension	T x H x W (mm)	
PPACN-10	10.1 x 28.5 x 18	
PPACN-10Z	10.1 x 28.5 x 18	
Marking label	TM49	
Voltage on metal panel: 1-2.5mm 500V 2.5-4mm 320V		
Voltage on plastic panel: 500V		

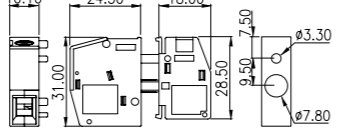



UL
DVE



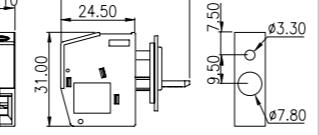


UL
DVE






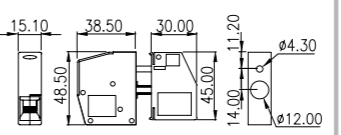
Plastic panel: 1-4mm: 400V
UL
DVE




Specification		
Technical Data	UL	IEC
Rated voltage	600V	800V
Rated current	115A	125A
Wire range (AWG/mm ²)	8-2	6-35
Rated impulse voltage	6KV	
Torque (N-m)	3.4-3.9	
Screw	M5	
Wire strip length	19-20mm	
Insulating material	PA	
Outer dimension	T x H x W (mm)	
PPAC-25	15.1 x 48.5 x 38.5	
PPAC-25AS	15.1 x 48.5 x 38.5	
PPAC-25MAS	15.1 x 71 x 38.5	
Inner dimension	T x H x W (mm)	
PPAC-25	15.1 x 45 x 30	
PPAC-25AS	15.1 x 33.3 x 27.5	
PPAC-25MAS	15.1 x 33.3 x 27.5	
Marking label	TM49	
Voltage on metal panel: 1-5mm 800V 5-6mm 630V		
Voltage on plastic panel: 800V		

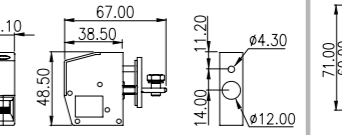



UL
DVE



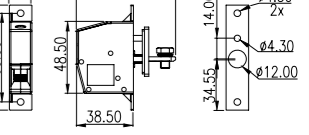


Plastic panel: 1-6mm: 400V
UL
DVE






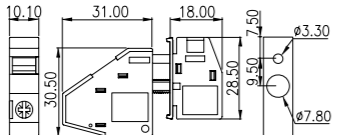
*
Plastic panel: 1-6mm: 400V
UL: 300V
IEC: 630V
UL
DVE




Specification		
Technical Data	UL	IEC
Rated voltage	300V	500V
Rated current	65A	76A
Wire range (AWG/mm ²)	24-6	0.5-16
Rated impulse voltage	6KV	
Torque (N-m)	1.5-1.7	
Screw	M4	
Wire strip length	10-11mm	
Insulating material	PA	
Outer dimension	T x H x W (mm)	
PPACNV-10	10.1 x 30.5 x 31	
PPACNV-10Z	10.1 x 30.5 x 31	
PPACNV-10AS	10.1 x 30.5 x 31	
Inner dimension	T x H x W (mm)	
PPACNV-10	10.1 x 28.5 x 18	
PPACNV-10Z	10.1 x 28.5 x 18	
PPACNV-10AS	10.1 x 25 x 16.9	
Marking label	TM49	
Voltage on metal panel: 1-2.5mm 500V 2.5-4mm 320V		
Voltage on plastic panel: 500V		

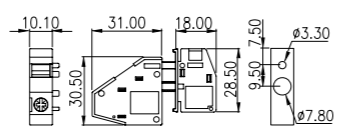



UL
DVE



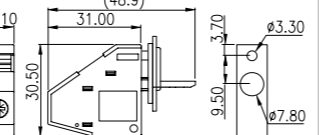


UL
DVE






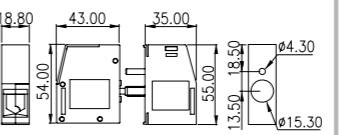
Plastic panel: 1-4mm: 400V
UL
DVE




Specification		
Technical Data	UL	IEC
Rated voltage	600V	800V
Rated current	150A	150A
Wire range (AWG/mm ²)	6-1/0	16-50
Rated impulse voltage	8KV	
Torque (N-m)	5.9-6	
Screw	M6	
Wire strip length	24-25mm	
Insulating material	PA	
Outer dimension	T x H x W (mm)	
PPAC-50	18.8 x 54 x 43	
PPAC-50AS	18.8 x 54 x 43	
PPAC-50M	18.8 x 78 x 43	
Inner dimension	T x H x W (mm)	
PPAC-50	18.8 x 55 x 35	
PPAC-50AS	18.8 x 37 x 33.9	
PPAC-50M	18.8 x 55 x 35	
Marking label	TM49	
Voltage on metal panel: 1-5mm 800V 5-6mm 630V		
Voltage on plastic panel: 800V		

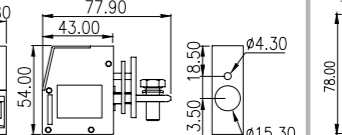



UL
DVE



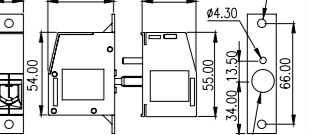


Plastic panel: 1-6mm: 400V
UL
DVE






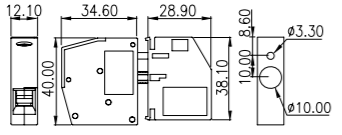
UL
DVE




Specification		
Technical Data	UL	IEC
Rated voltage	600V	500V
Rated current	85A	101A
Wire range (AWG/mm ²)	22-4	0.5-25
Rated impulse voltage	6KV	
Torque (N-m)	2.5-3.4	
Screw	M5	
Wire strip length	16-17mm	
Insulating material	PA	
Outer dimension	T x H x W (mm)	
PPAC-16	12.1 x 40 x 34.6	
PPAC-16AS	12.1 x 40 x 34.6	
Inner dimension	T x H x W (mm)	
PPAC-16	12.1 x 38.1 x 28.9	
PPAC-16AS	12.1 x 26 x 25.4	
Marking label	TM49	
Voltage on Metal panel: 1-2mm 800V 2-3mm 630V 3-6mm 500V		
Voltage on Plastic panel: 800V		

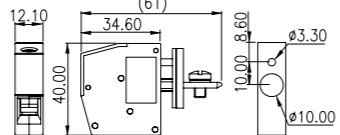


UL
DVE






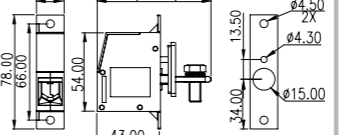
Plastic panel: 1-6mm: 400V
UL
DVE




Specification		
Technical Data	UL	IEC
Rated voltage	300V	400V
Rated current	150A	150A
Wire range (AWG/mm ²)	6-1/0	16-50
Rated impulse voltage	8KV	
Torque (N-m)	5.9-6	
Screw	M6/M8	
Wire strip length	24-25mm	
Insulating material	PA	
Outer dimension	T x H x W (mm)	
PPAC-50MAS	18.8 x 78 x 43	
Inner dimension	T x H x W (mm)	
PPAC-50MAS	18.8 x 37 x 33.9	
Marking label	TM49	
Voltage on plastic panel: 1-6mm: 400V		



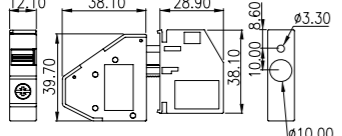
UL
DVE




Specification		
Technical Data	UL	IEC
Rated voltage	600V	500V
Rated current	85A	101A
Wire range (AWG/mm ²)	22-4	0.5-25
Rated impulse voltage	6KV	
Torque (N-m)	2.5-3.4	
Screw	M5	
Wire strip length	16-17mm	
Insulating material	PA	
Outer dimension	T x H x W (mm)	
PPACV-16	12.1 x 39.7 x 38.1	
PPACV-16Z	12.1 x 39.7 x 38.1	
PPACV-16AS	12.1 x 39.7 x 38.1	
Inner dimension	T x H x W (mm)	
PPACV-16	12.1 x 38.1 x 28.9	
PPACV-16Z	12.1 x 38.1 x 28.9	
PPACV-16AS	10.1 x 25 x 16.9	
Marking label	TM49	
Voltage on metal panel: 1-2mm 800V 2-3mm 630V 3-6mm 500V		
Voltage on plastic panel: 800V		

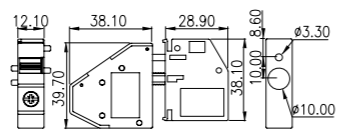



UL
DVE



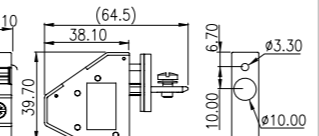


UL
DVE






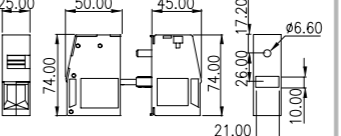
Plastic panel: 1-6mm: 400V
UL: 300V
UL
DVE




Specification		
Technical Data	UL	IEC
Rated voltage	600V	630V
Rated current	230A	232A
Wire range (AWG/mm ²)	4-4/0	25-95
Rated impulse voltage	8KV	
Torque (N-m)	14.7-15	
Screw	M8	
Wire strip length	27-28mm	
Insulating material	PA	
Outer dimension	T x H x W (mm)	
PPAC-95	25 x 74 x 50	
PPAC-95M	25 x 100 x 50	
PPAC-95MAS	25 x 100 x 50	
Inner dimension	T x H x W (mm)	
PPAC-95	25 x 74 x 45	
PPAC-95M	25 x 74 x 45	
PPAC-95MAS	25 x 50 x 40.5	
Marking label	TM49	
Voltage on metal panel: 1-2.5mm 1000V 2.5-5mm 800V 5-6mm 630V		
Voltage on plastic panel: 1000V		

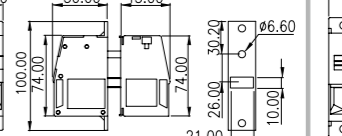



UL
DVE



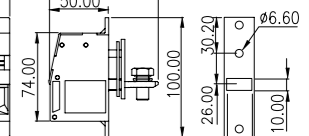


UL
DVE





Metal panel: 1-5mm 630V
5-6mm 500V
Plastic panel: 630V
UL
DVE



Barrier type terminal blocks

Barrier type terminal blocks are screw connection electrical connectors that connect multiple circuits to one another. Clamp the wire to the metal part with the locking screw. Each wiring structure is separated by the insulation barrier.

Barrier terminal blocks are designed for electrical applications and can be fitted with a transparent safety cover. When using, it should be noted that the wires do not exceed the barriers, which can prevent electrical short-circuits between positions on the same contact and between adjacent components.

The design generally is supplied in 5 categories: double-barrier, triple-barrier, triple-barrier in double levels, pluggable type and panel feed-through. Each type of barrier is available in a variety of industry standard centerline spacings, which allowing you to choose from high density to high current applications. Double and triple barriers are very similar in that they can both be used in PCB or panel mount applications.



Double-barrier, single row



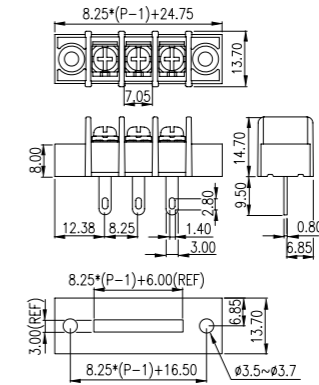
The double barrier in single row terminal blocks offer pitches from 7.62mm~16mm and options of various terminal pin designs that are suitable for voltage ratings 150V/15A~600V/65A.

The product range provide a wide variety of screw, terminal and mounting options, fitting a multitude of applications.

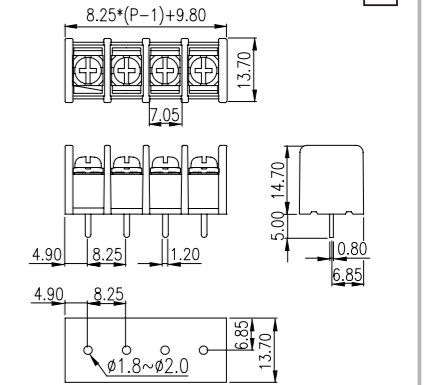
8.25mm

Technical Data		UL	
UL use group	B/C	D	
Rated voltage	300V/150V	300V	
Rated current	20A	10A	
Wire range (AWG)	22~12		
Withstand voltage	AC2000V / 1 minute		
Insulation resistance	≥500MΩ / DC 500V		
Housing	PA66, UL94-V0, black		
Terminal	Brass, Tin plated		
Screw	M3, Steel, Ni plated		
Torque value (N-m)	0.5~1.4		
Operating temperature	-40°C ~ +120°C		
Wiring type	FW2		
Number of Positions			
DT-35-A02W-XX	02~31		
DT-35-B01W-XX	02~33		

DT-35-A02W-XX



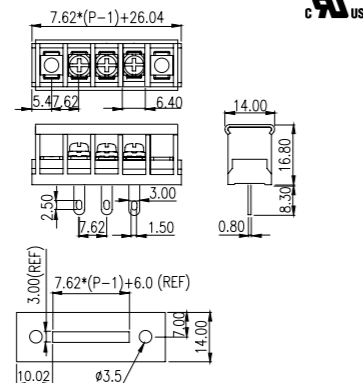
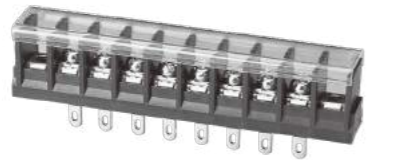
DT-35-B01W-XX



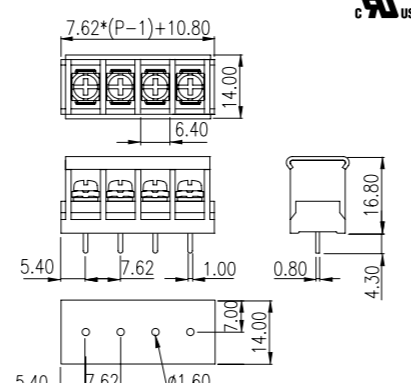
7.62mm

Technical Data		UL	
UL use group	B	C	
Rated voltage	300V	300V	
Rated current	15A	15A	
Wire range (AWG)	24~14		
Withstand voltage	AC2000V / 1 minute		
Insulation resistance	≥1000MΩ / DC 500V		
Housing	PBT, UL94-V0, black		
Terminal	Brass, Tin plated		
Screw	M3, Steel, Ni plated		
Torque value (N-m)	0.8		
Operating temperature	-40°C ~ +130°C		
Wiring type	FW2		
Number of Positions			
DT-2G-A02W-XX	02~26		
DT-2G-B01W-XX	02~28		
DT-2G-B14W-XX	02~28		

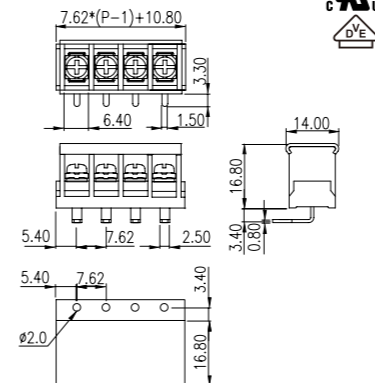
DT-2G-A02W-XX



DT-2G-B01W-XX



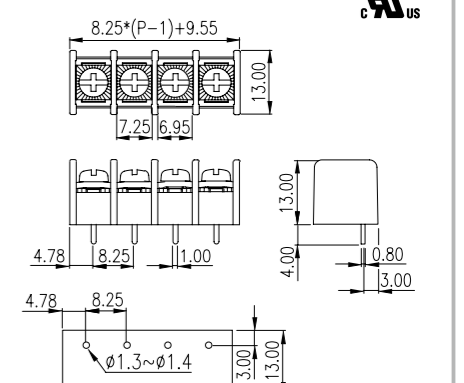
DT-2G-B14W-XX



8.25mm

Technical Data		UL	
UL use group	B / C	D	
Rated voltage	300V / 150V	300V	
Rated current	20A	10A	
Wire range (AWG)	22~12		
Withstand voltage	AC2000V / 1 minute		
Insulation resistance	≥500MΩ / DC 500V		
Housing	PA66, UL94-V0, black		
Terminal	Brass, Tin plated		
Screw	#6-32, Steel, Ni plated		
Torque value (N-m)	1		
Operating temperature	-40°C ~ +105°C		
Wiring type	FW2		
Number of Positions			
DT-31-B01W-XX	02~30		

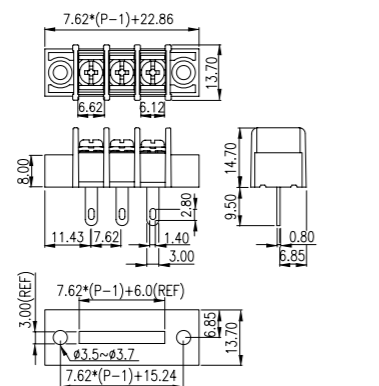
DT-31-B01W-XX



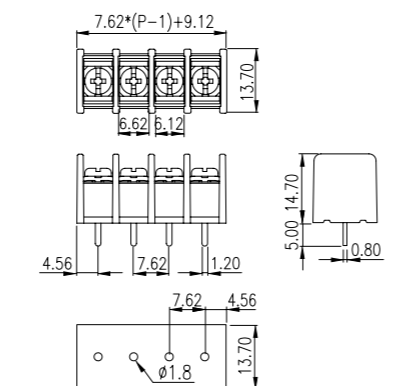
7.62mm

Technical Data		UL	
UL use group	B / C	D	
Rated voltage	300V / 150V	300V	
Rated current	15A	15A	
Wire range (AWG)	22~14		
Withstand voltage	AC2000V / 1 minute		
Insulation resistance	≥500MΩ / DC 500V		
Housing	PA66, UL94-V0, black		
Terminal	Brass, Tin plated		
Screw	M3, Steel, Ni plated		
Torque value (N-m)	0.5~1.4		
Operating temperature	-40°C ~ +120°C		
Wiring type	FW2		
Number of Positions			
DT-25-A02W-XX	02~31		
DT-25-B01W-XX	02~33		
DT-25-B07W-XX	02~33		
DT-25-B14W-XX	02~33		

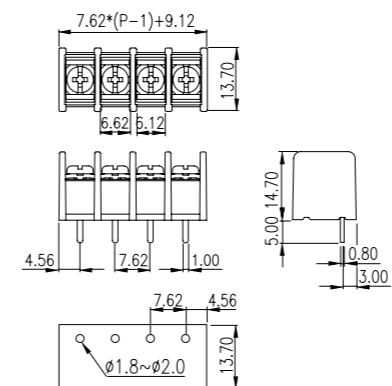
DT-25-A02W-XX



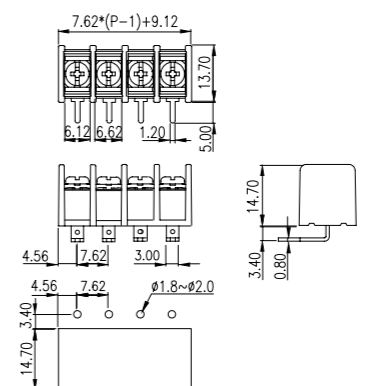
DT-25-B01W-XX



DT-25-B07W-XX



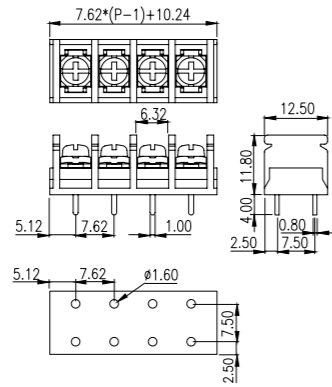
DT-25-B14W-XX



7.62mm

0186-10XX

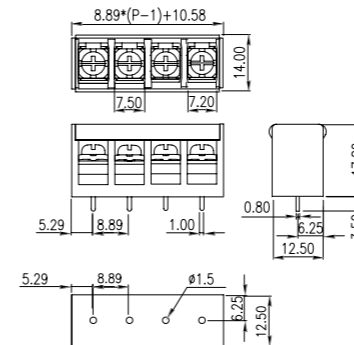
Technical Data		UL	
UL use group	B	D	
Rated voltage	300V	300V	
Rated current	10A	10A	
Wire range (AWG)	22-16		
Withstand voltage	AC2000V / 1 minute		
Insulation resistance	≥1000MΩ / DC 500V		
Housing	PBT(G15), black		
Terminal	Brass, Tin plated		
Screw	M3, Steel, Ni plated		
Torque value (N-m)	0.8		
Operating temperature	-40°C ~ +130°C		
Wiring type	FW2		
Number of Positions			
0186-10XX	02-11		



8.89mm

DT-3C-B01W-XX

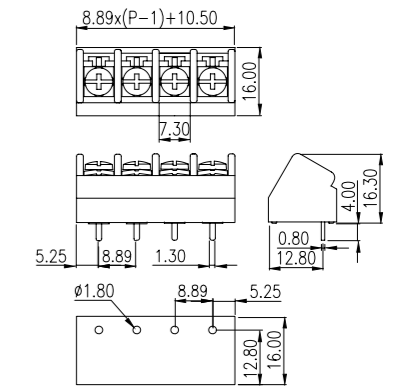
Technical Data		UL	
UL use group	B	D	
Rated voltage	300V	300V	
Rated current	15A	15A	
Wire range (AWG)	22-12		
Withstand voltage	AC2000V / 1 minute		
Insulation resistance	≥1000MΩ / DC 500V		
Housing	PBT, UL94-V0, black		
Terminal	Brass, Tin plated		
Screw	M3.5, Steel, Ni plated		
Torque value (N-m)	0.8-1		
Operating temperature	-40°C ~ +130°C		
Wiring type	FW2		
Number of Positions			
DT-3C-B01W-XX	02-17		



8.89mm

DT-89-B01W-XX

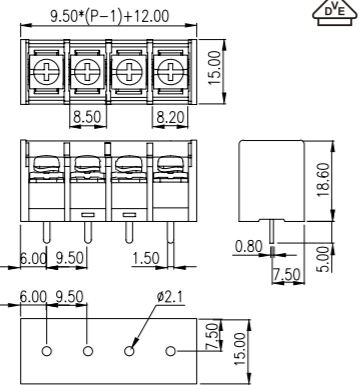
Technical Data		UL	
UL use group	B / C	D	
Rated voltage	300V / 150V	300V	
Rated current	15A	10A	
Wire range (AWG)	22-14		
Withstand voltage	AC2000V / 1 minute		
Insulation resistance	≥1000MΩ / DC 500V		
Housing	PBT, UL94-V0, blue		
Terminal	Brass, Tin plated		
Screw	M3, Brass, Ni plated		
Torque value (N-m)	0.8		
Operating temperature	-40°C ~ +130°C		
Wiring type	FW2		
Number of Positions			
DT-89-B01W-XX	02-26		



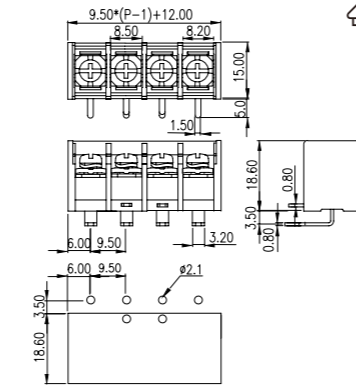
9.5mm

DT-4C-B01W-XX

Technical Data		UL	
UL use group	B	D	
Rated voltage	300V	300V	
Rated current	20A	10A	
Wire range (AWG)	22-12		
Withstand voltage	AC2000V / 1 minute		
Insulation resistance	≥1000MΩ / DC 500V		
Housing	PBT, UL94-V0, black		
Terminal	Brass, Tin plated		
Screw	M3.5, Steel, Ni plated		
Torque value (N-m)	1.1		
Operating temperature	-40°C ~ +130°C		
Wiring type	FW2		
Number of Positions			
DT-4C-B01W-XX	02-25		
DT-4C-B14W-XX	02-25		



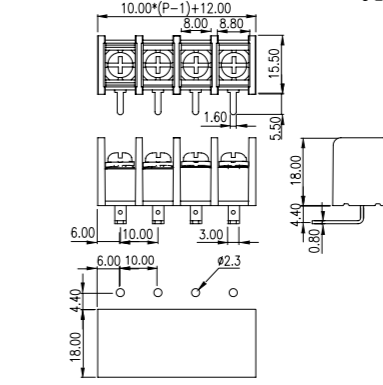
DT-4C-B14W-XX



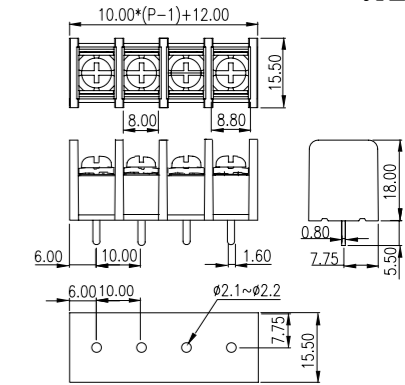
10.00mm

DT-55-B14W-XX

Technical Data		UL	
UL use group	B/C	D	
Rated voltage	300V/150V	300V	
Rated current	25A	10A	
Wire range (AWG)	22-12		
Withstand voltage	AC2000V / 1 minute		
Insulation resistance	≥500MΩ / DC 500V		
Housing	PA66, UL94-V0, black		
Terminal	Brass, Tin plated		
Screw	M3.5, Brass, Ni plated		
Torque value (N-m)	1.8		
Operating temperature	-40°C ~ +120°C		
Wiring type	FW2		
Number of Positions			
DT-55-B14W-XX	02-30		
DT-55-B01W-XX	02-30		



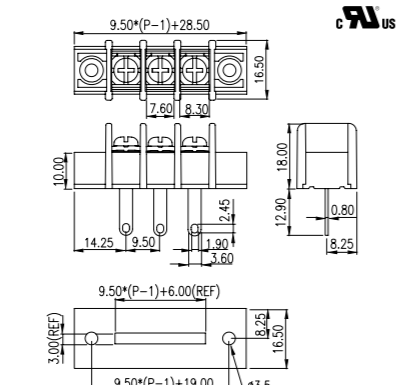
DT-55-B01W-XX



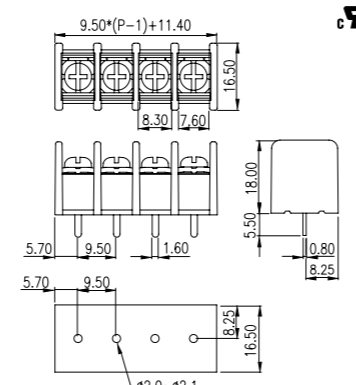
9.5mm

DT-45-A02W-XX

Technical Data		UL	
UL use group	B/C	D	
Rated voltage	300V/150V	300V	
Rated current	25A	10A	
Wire range (AWG)	22-12		
Withstand voltage	AC2000V / 1 minute		
Insulation resistance	≥500MΩ / DC 500V		
Housing	PA66, UL94-V0, black		
Terminal	Brass, Tin plated		
Screw	M3.5, Steel, Ni plated		
Torque value (N-m)	1.4		
Operating temperature	-40°C ~ +120°C		
Wiring type	FW2		
Number of Positions			
DT-45-A02W-XX	02-28		
DT-45-B01W-XX	02-30		



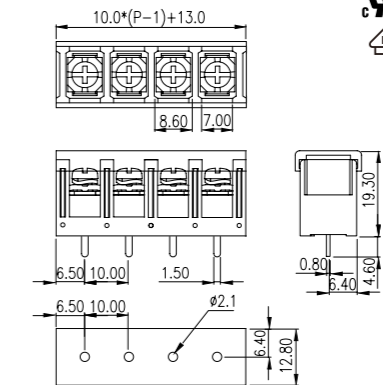
DT-45-B01W-XX



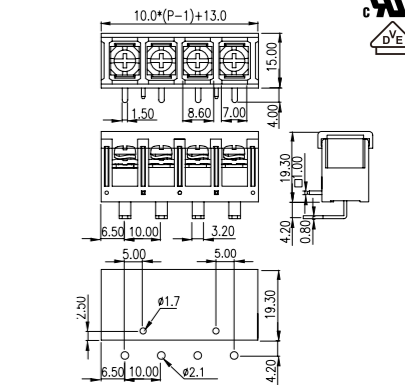
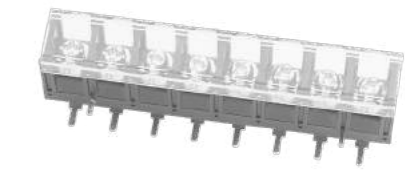
10.00mm

DT-5C-B81W-XX

Technical Data		UL	
UL use group	B/C	D	
Rated voltage	300V	300V	
Rated current	20A	10A	
Wire range (AWG)	22-14		
Withstand voltage	AC2200V / 1 minute		
Insulation resistance	≥1000MΩ / DC 500V		
Housing	PBT, UL94-V0, black		
Terminal	Brass, Tin plated		
Screw	M3.5, Steel, Ni plated		
Torque value (N-m)	1.1		
Operating temperature	-40°C ~ +130°C		
Wiring type	FW2		
Number of Positions			
DT-5C-B81W-XX	02-30		
DT-5C-B84W-XX	02-30		



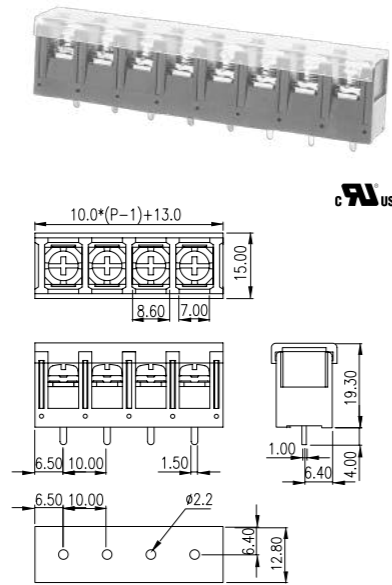
DT-5C-B84W-XX



10.00mm

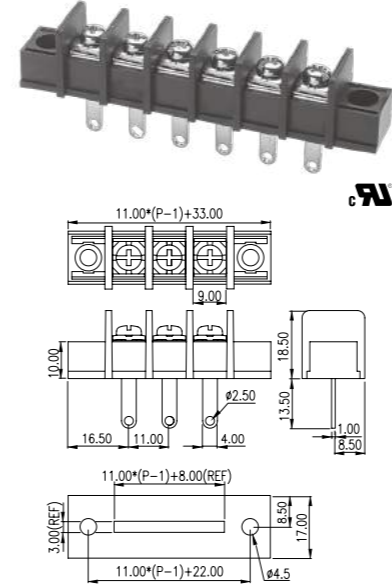
DT-5C-B01W-XX

Technical Data		UL	
UL use group	B/C	D	
Rated voltage	300V	300V	
Rated current	20A	10A	
Wire range (AWG)	22-14		
Withstand voltage	AC2200V / 1 minute		
Insulation resistance	≥1000MΩ / DC 500V		
Housing	PBT, UL94-V0, black		
Terminal	Brass, Tin plated		
Screw	M4, Steel, Ni plated		
Torque value (N-m)	1.1		
Operating temperature	-40°C ~ +130°C		
Wiring type	FW2		
Number of Positions			
DT-5C-B01W-XX	02-30		

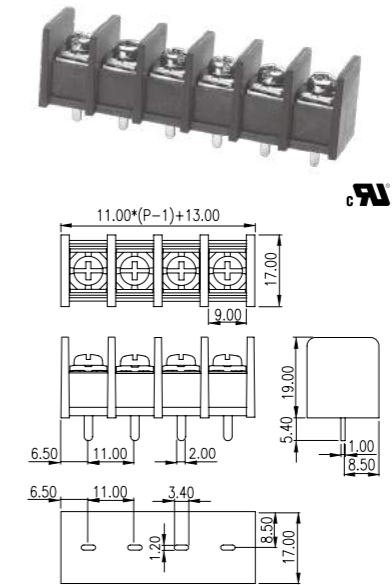


11.00mm

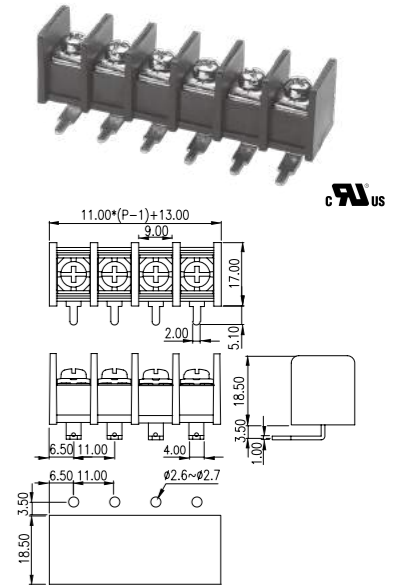
Technical Data		UL	
UL use group	B/C	D	
Rated voltage	300V/150V	300V	
Rated current	25A	10A	
Wire range (AWG)	22-12		
Withstand voltage	AC2000V / 1 minute		
Insulation resistance	≥500MΩ / DC 500V		
Housing	PA66, UL94-V0, black		
Terminal	Brass, Tin plated		
Screw	M4, Steel, Ni plated		
Torque value (N-m)	1.8		
Operating temperature	-40°C ~ +120°C		
Wiring type	FW2		
Number of Positions			
DT-65-A02W-XX	02-24		
DT-65-B01W-XX	02-26		
DT-65-B14W-XX	02-26		



DT-65-B01W-XX



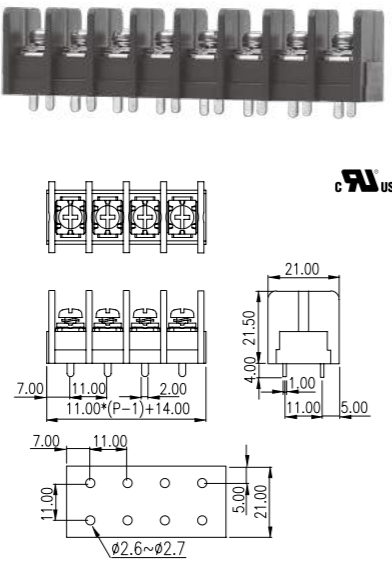
DT-65-B14W-XX



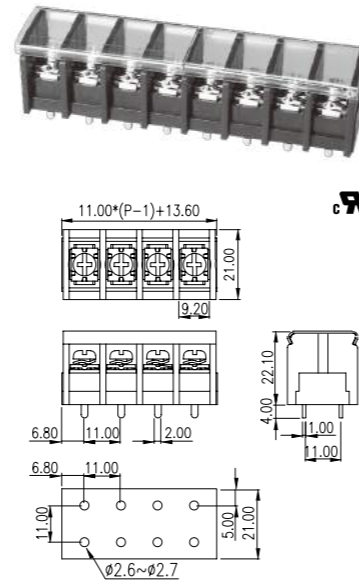
11.00mm

DT-66-B01W-XX

Technical Data		UL	
UL use group	B/C	D	
Rated voltage	300V	600V	
Rated current	40A	5A	
Wire range (AWG)	18-8		
Withstand voltage	AC2000V / 1 minute		
Insulation resistance	≥1000MΩ / DC 500V		
Housing	PBT, UL94-V0, black		
Terminal	Copper, Tin plated		
Screw	M4, Steel, Ni plated		
Torque value (N-m)	1.8		
Operating temperature	-40°C ~ +130°C		
Wiring type	FW2		
Number of Positions			
DT-66-B01W-XX	02-26		
DT-66-C01W-XX	02-24		

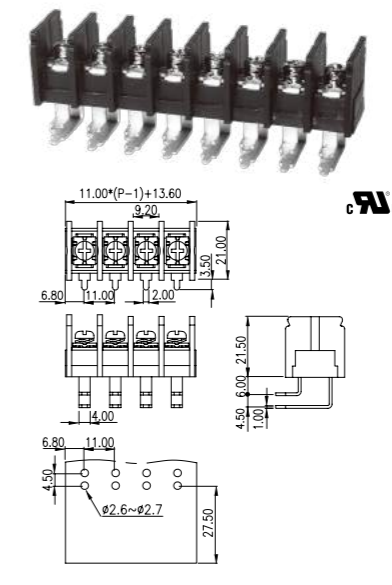


DT-66-C01W-XX

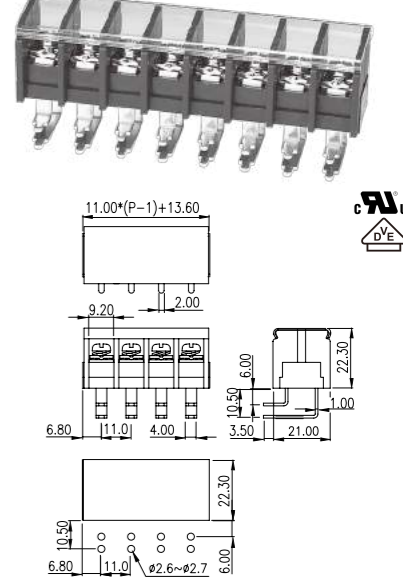


11.00mm

Technical Data		UL	
UL use group	B	D	
Rated voltage	300V	300V	
Rated current	40A	10A	
Wire range (AWG)	18-8		
Withstand voltage	AC2500V / 1 minute		
Insulation resistance	≥1000MΩ / DC 500V		
Housing	PBT, UL94-V0, black		
Terminal	Brass, Tin plated		
Screw	M4, Steel, Ni plated		
Torque value (N-m)	1.8		
Operating temperature	-40°C ~ +130°C		
Wiring type	FW2		
Number of Positions			
DT-66-B11W-XX	02-24		
DT-66-C11W-XX	02-24		



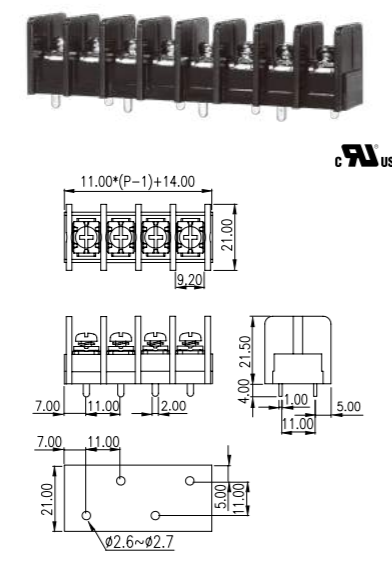
DT-66-C11W-XX



11.00mm

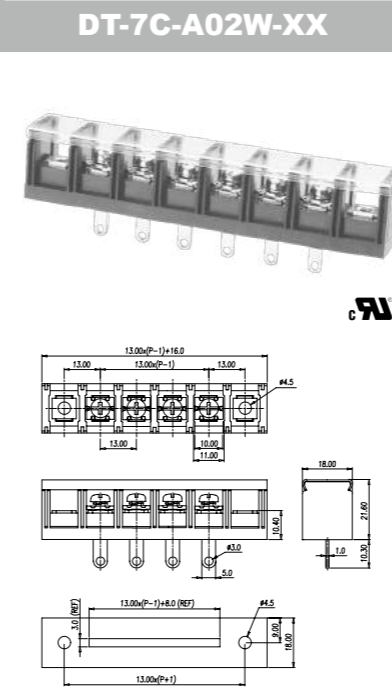
DT-66-B02W-XX

Technical Data		UL	
UL use group	B	C	
Rated voltage	600V	600V	
Rated current	40A	40A	
Wire range (AWG)	18-8		
Withstand voltage	AC2000V / 1 minute		
Insulation resistance	≥1000MΩ / DC 500V		
Housing	PBT, UL94-V0, black		
Terminal	Copper, Tin plated		
Screw	M4, Steel, Ni plated		
Torque value (N-m)	1.8		
Operating temperature	-40°C ~ +130°C		
Wiring type	FW2		
Number of Positions			
DT-66-B02W-XX	02-24		

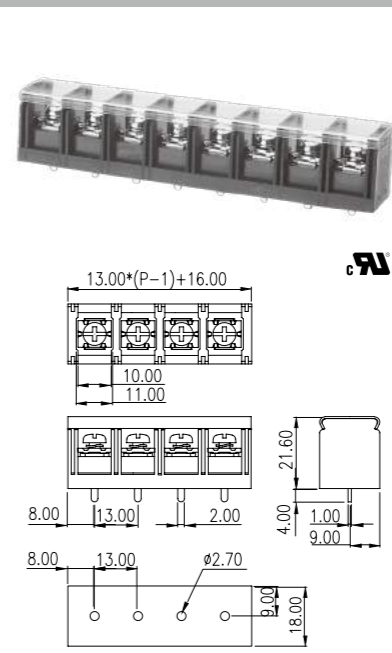


13.00mm

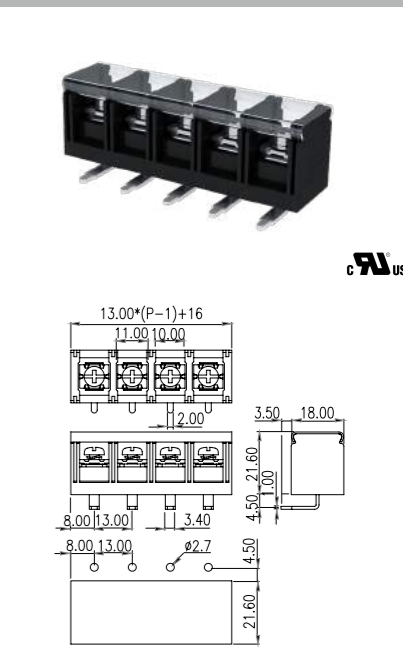
Technical Data		UL	
UL use group	B/C	D	
Rated voltage	600V	600V	
Rated current	40A	5A	
Wire range (AWG)	18-8		
Withstand voltage	AC2500V / 1 minute		
Insulation resistance	≥1000MΩ / DC 500V		
Housing	PBT, UL94-V0, black		
Terminal	Brass, Tin plated		
Screw	M4, Steel, Ni plated		
Torque value (N-m)	1.6		
Operating temperature	-40°C ~ +130°C		
Wiring type	FW2		
Number of Positions			
DT-7C-A02W-XX	02-12		
DT-7C-B01W-XX	02-14		
DT-7C-B18W-XX	02-14		



DT-7C-B01W-XX



DT-7C-B18W-XX

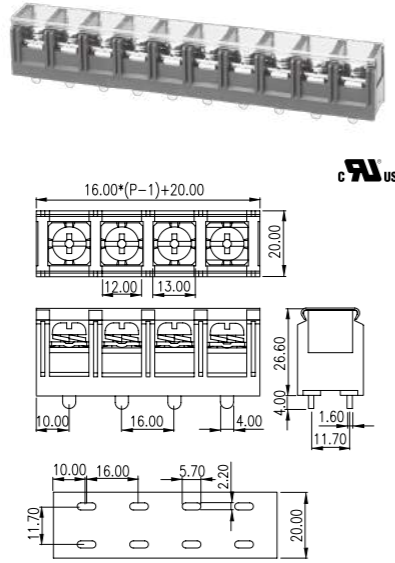


* UG: B&C Class 300V
D Class 600V

16.00mm

0032-11XX

Technical Data		UL	
UL use group	B/C	B/C	B/C
Rated voltage	600V	600V	600V
Rated current	50A	80A	80A
Wire range (AWG)	14~8	6~4	6~4
Withstand voltage	AC3000V / 1 minute		
Insulation resistance	≥1000MΩ / DC 500V		
Housing	PBT, UL94-V0, black		
Terminal	Copper, Tin plated		
Screw	M6, Steel, Ni plated		
Torque value (N-m)	3.1		
Operating temperature	-40°C ~ +130°C		
Wiring type	FW2		
Number of Positions		02~10	

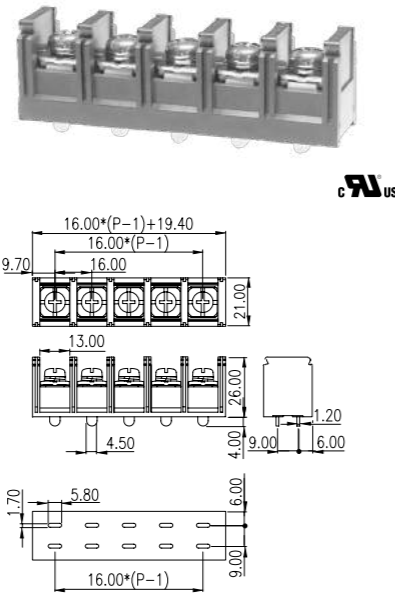


cULus

16.00mm

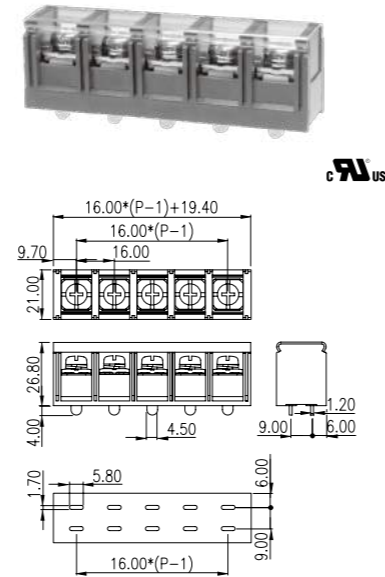
0166-80XX

Technical Data		UL	
UL use group	B/C	B/C	B/C
Rated voltage	600V	85A / 600V	85A / 600V
Rated current	65A	100A	100A
Wire range (AWG)	14~6	4(sol)~3(str)	4(sol)~3(str)
Withstand voltage	AC2500V / 1 minute		
Insulation resistance	≥1000MΩ / DC 500V		
Housing	PBT, UL94-V0, black		
Terminal	Copper, Tin plated		
Screw	M5, Steel, Zn plated		
Torque value (N-m)	2.4		
Operating temperature	-40°C ~ +130°C		
Wiring type	FW2		
Number of Positions		02~20	



cULus

0166-80XXC



cULus

Triple-barrier, single row



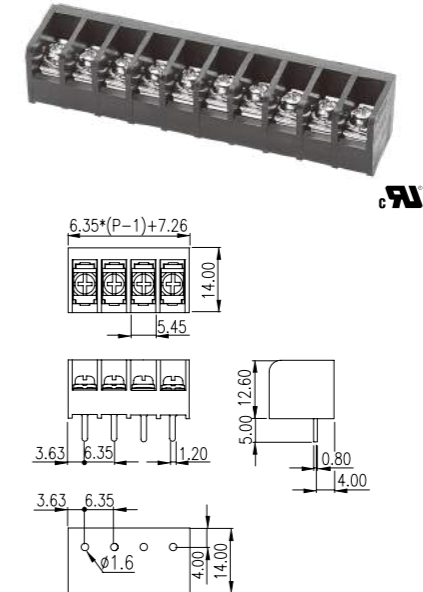
The triple-barrier in single row terminal blocks offer pitches from 6.35mm~16mm and options of various terminal pin designs that are suitable for voltage ratings 300V/10A~600V/65A.

The product range provide a wide variety of screw, terminal and mounting options, fitting a multitude of applications.

6.35mm

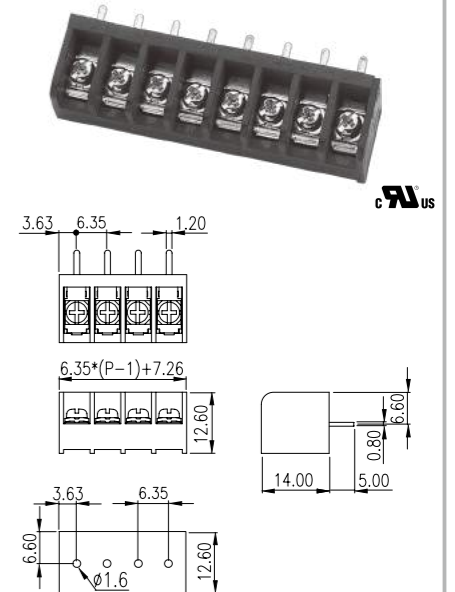
DT-29-B01W-XX

Technical Data		UL	
UL use group	B	D	D
Rated voltage	300V	300V	300V
Rated current	15A	10A	10A
Wire range (AWG)	22~16		
Withstand voltage	AC2000V / 1 minute		
Insulation resistance	≥500MΩ / DC 500V		
Housing	PA66, UL94-V0, black		
Terminal	Brass, Tin plated		
Screw	M2.6, Steel, Ni plated		
Torque value (N-m)	0.5		
Operating temperature	-40°C ~ +120°C		
Wiring type	FW2		
Number of Positions		02~30	



cULus

DT-29-B02W-XX

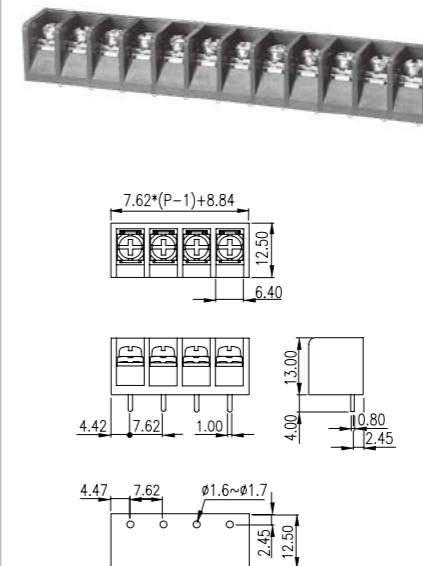


cULus

7.62mm

0032-09XX

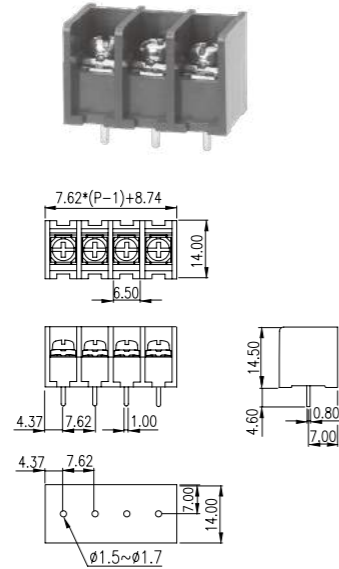
Technical Data		UL	
UL use group	B	D	D
Rated voltage	300V	300V	300V
Rated current	6A		
Wire range (AWG)	24~16		
Withstand voltage	AC2500V / 1 minute		
Insulation resistance	≥1000MΩ / DC 500V		
Housing	PBT, UL94-V0, black		
Terminal	Brass, Tin plated		
Screw	M3, Steel, Zn plated		
Torque value (N-m)	0.5~0.6		
Operating temperature	-40°C ~ +130°C		
Wiring type	FW2		
Number of Positions		02~22	



7.62mm

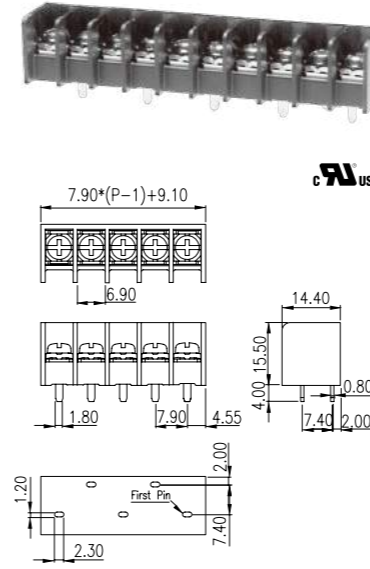
0032-14XX

Technical Data	UL	
	B	D
UL use group	B	D
Rated voltage	300V	300V
Rated current	10A	10A
Wire range (AWG)	24~14	
Withstand voltage	AC2000V / 1 minute	
Insulation resistance	≥1000MΩ / DC 500V	
Housing	PBT, UL94-V0, black	
Terminal	Brass, Tin plated	
Screw	M3, Steel, Ni plated	
Torque value (N-m)	0.5~0.6	
Operating temperature	-40°C ~ +130°C	
Wiring type	FW2	
Number of Positions		
0032-14XX	02~13	



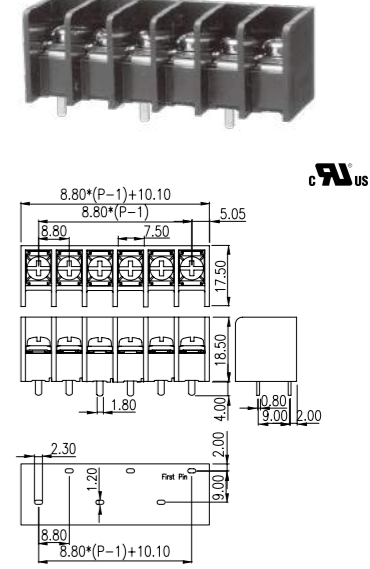
7.9mm

Technical Data	UL	
	B/C	D
UL use group	B/C	D
Rated voltage	300V	600V
Rated current	30A	5A
Wire range (AWG)	22~10	
Withstand voltage	AC2500V / 1 minute	
Insulation resistance	≥1000MΩ / DC 500V	
Housing	PBT, UL94-V0, black	
Terminal	Copper, Tin plated	
Screw	M3.5, Steel, Zn plated	
Torque value (N-m)	1.4	
Operating temperature	-40°C ~ +130°C	
Wiring type	FW2	
Number of Positions		
0167-10XX	02~25	



0167-10XX

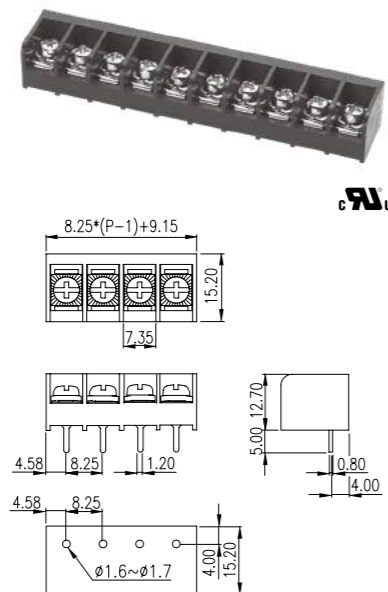
Technical Data	UL	
	B	C
UL use group	B	C
Rated voltage	600V	600V
Rated current	20A	20A
Wire range (AWG)	24~12	
Withstand voltage	AC2500V / 1 minute	
Insulation resistance	≥1000MΩ / DC 500V	
Housing	PBT, UL94-V0, black	
Terminal	Copper, Tin plated	
Screw	M3.5, Steel, Zn plated	
Torque value (N-m)	1	
Operating temperature	-40°C ~ +130°C	
Wiring type	FW2	
Number of Positions		
0167-90XX	02~24	



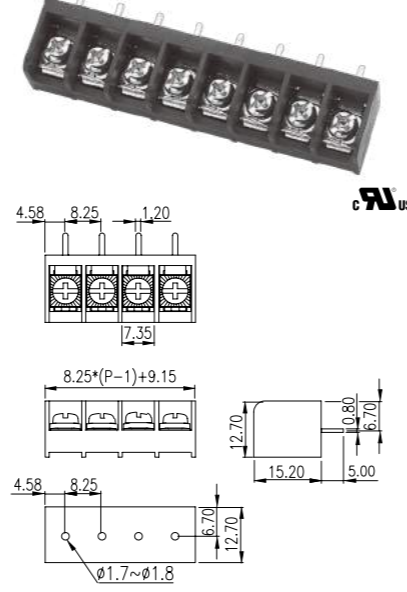
8.25mm

DT-39-B01W-XX

Technical Data	UL	
	B	D
UL use group	B	D
Rated voltage	300V	300V
Rated current	20A	10A
Wire range (AWG)	22~12	
Withstand voltage	AC2000V / 1 minute	
Insulation resistance	≥500MΩ / DC 500V	
Housing	PA66, UL94-V0, black	
Terminal	Brass, Tin plated	
Screw	#6-32, Steel, Ni plated	
Torque value (N-m)	1.4	
Operating temperature	-40°C ~ +120°C	
Wiring type	FW2	
Number of Positions		
DT-39-B01W-XX	02~33	
DT-39-B02W-XX	02~33	

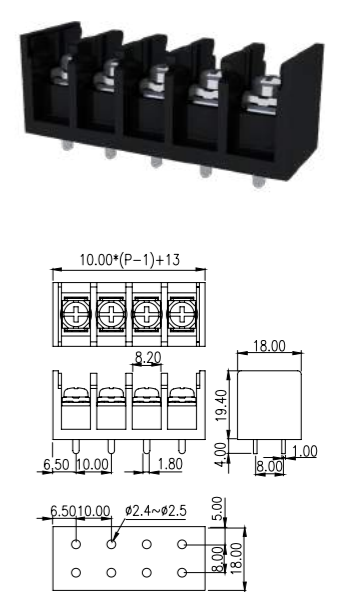


DT-39-B02W-XX



10.00mm

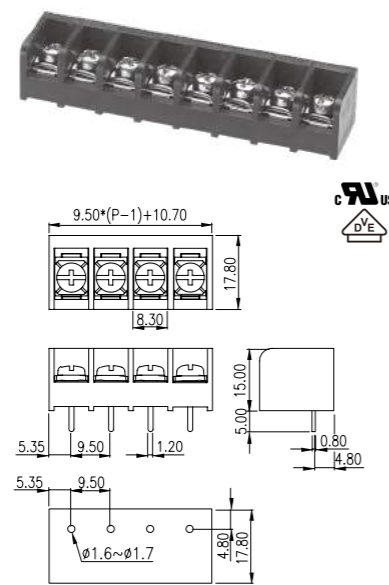
Technical Data	UL	
	B	C
UL use group	B	C
Rated voltage	300V	300V
Rated current	45A	45A
Wire range (AWG)	22~10& 8(O&Y)	
Withstand voltage	AC2000V / 1 minute	
Insulation resistance	≥1000MΩ / DC 500V	
Housing	PBT, UL94-V0, black	
Terminal	Copper, Tin plated	
Screw	M4, Steel, Ni plated	
Torque value (N-m)	0.8~1	
Operating temperature	-40°C ~ +130°C	
Wiring type	FW1	8AWG
Number of Positions		
0186-40XX	02~08	



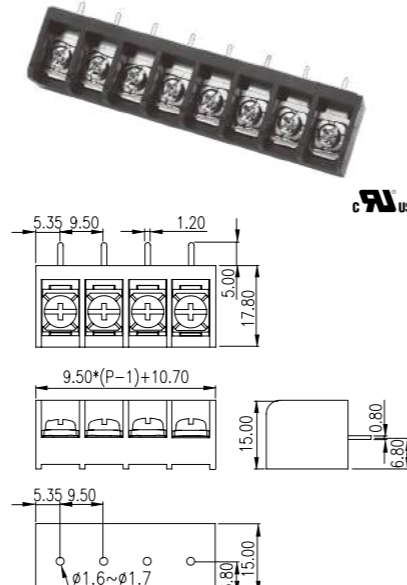
9.5mm

DT-49-B01W-XX

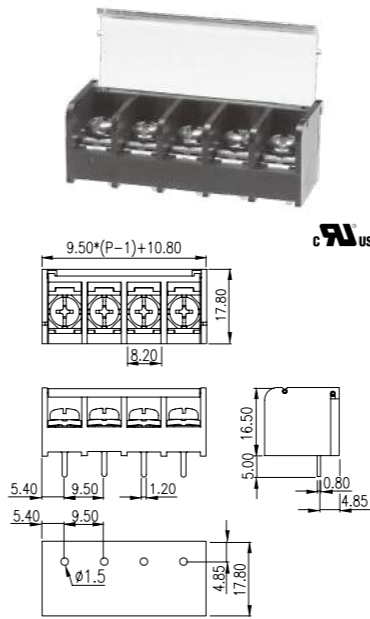
Technical Data	UL	
	B	D
UL use group	B	D
Rated voltage	300V	300V
Rated current	25A	10A
Wire range (AWG)	22~12	
Withstand voltage	AC2000V / 1 minute	
Insulation resistance	≥500MΩ / DC 500V	
Housing	PA66, UL94-V0, black	
Terminal	Brass, Tin plated	
Screw	#6-32, Steel, Ni plated	
DT-49-B01W-XX	#6-32, Steel, Ni plated	
DT-49-B02W-XX	#6-32, Steel, Ni plated	
DT-49-C91W-XX	M3.5, Steel, Ni plated	
Torque value (N-m)	1.4	
Operating temperature	-40°C ~ +120°C	
Wiring type	FW2	
Number of Positions		
DT-49-B01W-XX	02~31	
DT-49-B02W-XX	02~31	
DT-49-C91W-XX	02~15	



DT-49-B02W-XX

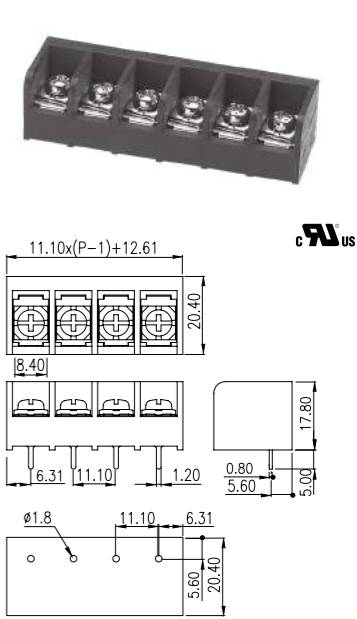


DT-49-C91W-XX



11.00mm

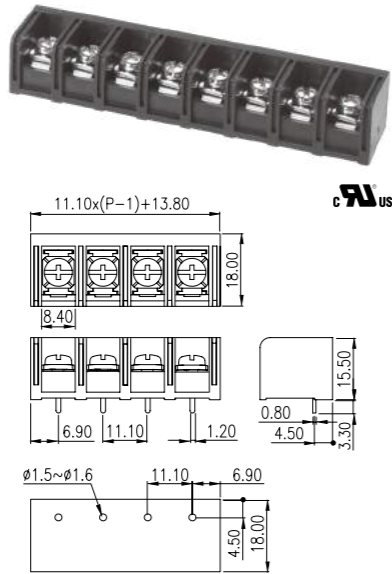
Technical Data	UL	
	B/C	D
UL use group	B/C	D
Rated voltage	300V/150V	300V
Rated current	30A	10A
Wire range (AWG)	22~10	
Withstand voltage	AC2000V / 1 minute	
Insulation resistance	≥500MΩ / DC 500V	
Housing	PA66, UL94-V0, black	
Terminal	Brass, Tin plated	
Screw	M4, Steel, Ni plated	
Torque value (N-m)	1.8	
Operating temperature	-40°C ~ +120°C	
Wiring type	FW2	
Number of Positions		
DT-69-B01W-XX	02~26	



11.00mm

DT-69-H53W-XX

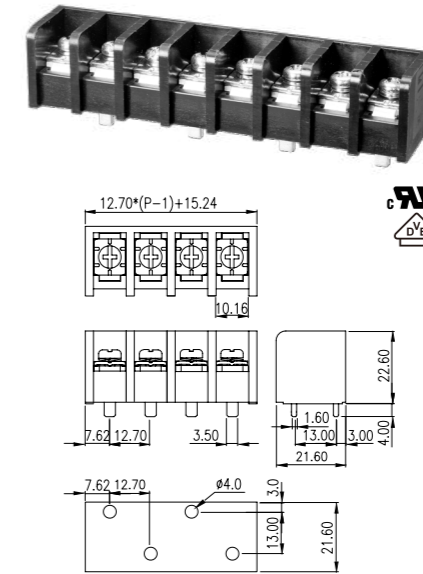
Technical Data		UL	
UL use group	B	C	
Rated voltage	600V	600V	
Rated current	45A	45A	
Wire range (AWG)	22-8		
Withstand voltage	AC3000V / 1 minute		
Insulation resistance	≥1000MΩ / DC 500V		
Housing	PBT, UL94-V0, black		
Terminal	Copper, Tin plated		
Screw	#6-32, Steel, Zn plated		
Torque value (N-m)	1		
Operating temperature	-40°C ~ +130°C		
Wiring type	FW2		
Number of Positions			
DT-69-H53W-XX	02~16		



12.7mm

DT-79-B01W-XX

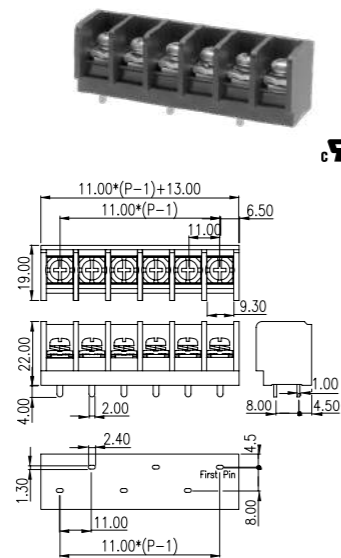
Technical Data		UL	
UL use group	B/C	D	
Rated voltage	600V	600V	
Rated current	45A(str)/43A(sol)	5A	
Wire range (AWG)	18-8		
Withstand voltage	AC2500V / 1 minute		
Insulation resistance	≥1000MΩ / DC 500V		
Housing	PBT, UL94-V0, black		
Terminal	Brass, Tin plated		
Screw	M4, Steel, Zn plated		
Torque value (N-m)	1.8		
Operating temperature	-40°C ~ +130°C		
Wiring type	FW2		
Number of Positions			
DT-79-B01W-XX	02~16		



11.00mm

0167-50XX

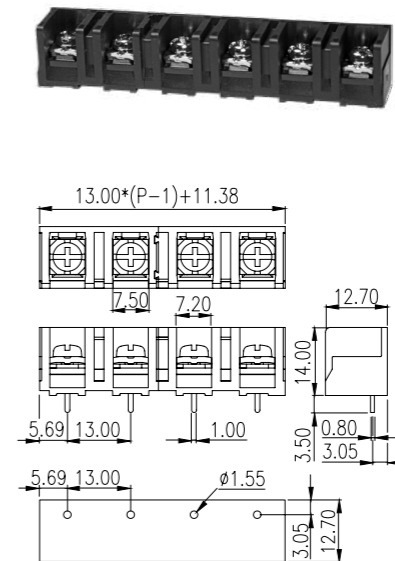
Technical Data		UL	
UL use group	B	C	
Rated voltage	600V	600V	
Rated current	50A	50A	
Wire range (AWG)	22-8		
Withstand voltage	AC3000V / 1 minute		
Insulation resistance	≥1000MΩ / DC 500V		
Housing	PBT, UL94-V0, black		
Terminal	Copper, Tin plated		
Screw	M4, Steel, Zn plated		
Torque value (N-m)	1.8		
Operating temperature	-40°C ~ +130°C		
Wiring type	FW2		
Number of Positions			
0167-50XX	02~25		



13.00mm

0167-70XX

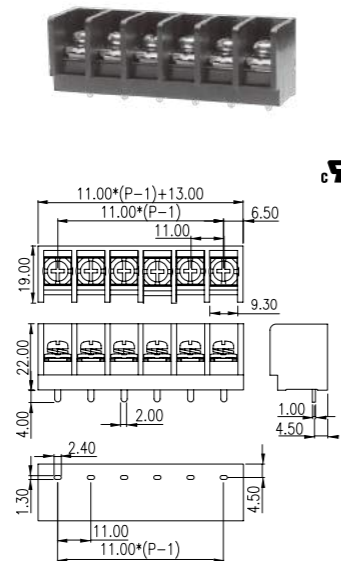
Technical Data		UL	
UL use group	B/C	D	
Rated voltage	600V	600V	
Rated current	20A	20A	
Wire range (AWG)	22-12		
Withstand voltage	AC2500V / 1 minute		
Insulation resistance	≥1000MΩ / DC 500V		
Housing	PBT, UL94-V0, black		
Terminal	Brass, Tin plated		
Screw	M3.5, Steel, Ni plated		
Torque value (N-m)	0.8-1		
Operating temperature	-40°C ~ +130°C		
Wiring type	FW2		
Number of Positions			
0167-70XX	02~10		



11.00mm

0167-52XX

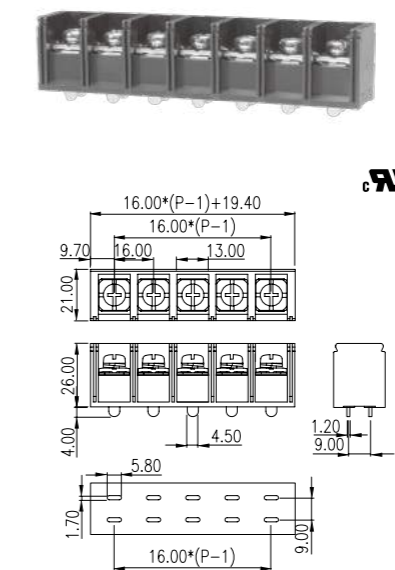
Technical Data		UL	
UL use group	B/C	D	
Rated voltage	300V	600V	
Rated current	50A	5A	
Wire range (AWG)	22-8		
Withstand voltage	AC2500V / 1 minute		
Insulation resistance	≥1000MΩ / DC 500V		
Housing	PBT, UL94-V0, black		
Terminal	Copper, Tin plated		
Screw	M4, Steel, Zn plated		
Torque value (N-m)	1.8		
Operating temperature	-40°C ~ +130°C		
Wiring type	FW2		
Number of Positions			
0167-52XX	02~25		



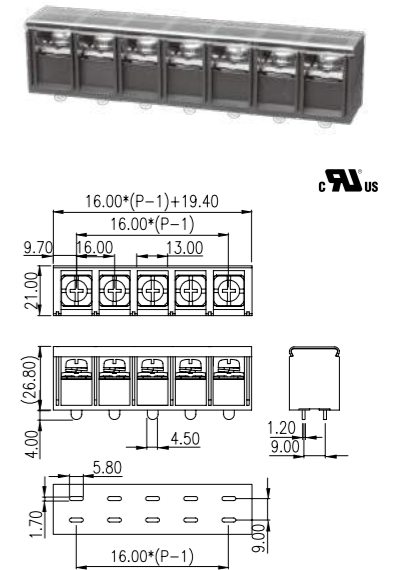
16.00mm

0167-80XX

Technical Data		UL	
UL use group	B/C	B/C	
Rated voltage	600V	600V	
Rated current	65A	85A/100A	
Wire range (AWG)	14-6	4(sol)/3-4(str)	
Withstand voltage	AC2500V / 1 minute		
Insulation resistance	≥1000MΩ / DC 500V		
Housing	PBT, UL94-V0, black		
Terminal	Copper, Tin plated		
Screw	M5, Steel, Zn plated		
Torque value (N-m)	2.4		
Operating temperature	-40°C ~ +130°C		
Wiring type	FW2		
Number of Positions			
0167-80XX	02~20		
0167-80XXC	02~20		

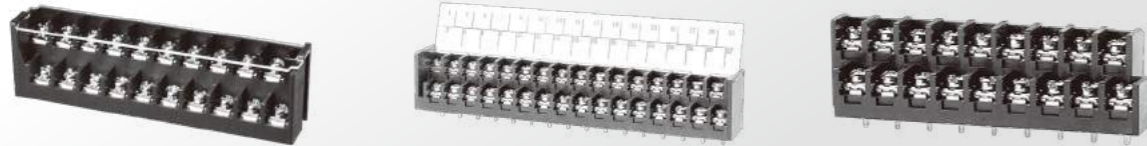


0167-80XXC



Triple-barrier, Bi-level

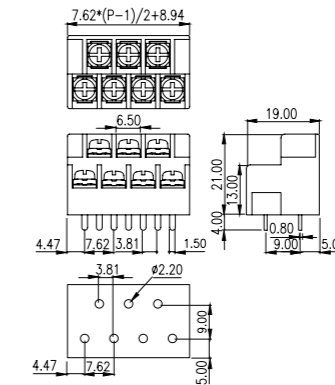
The bi-level barrier terminal block is in triple-barrier housing, the solution is for high density wiring in small spaces. Available pitches from 7.62mm ~14.3mm and options of various terminal pin designs that are suitable for voltage ratings 300V/10A~ 600V/35A. The optional top cover offers additional protection and can have markings printed on for clearer wire indication.



7.62mm

0032-23XX

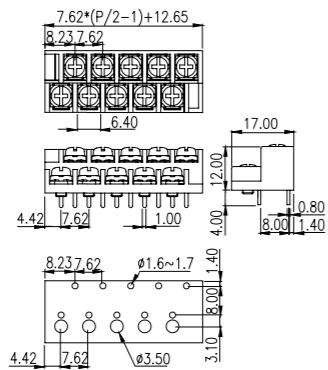
Technical Data		UL	
UL use group	B	D	
Rated voltage	300V	300V	
Rated current	20A	20A	
Wire range (AWG)	22~12		
Withstand voltage	AC2000V / 1 minute		
Insulation resistance	≥1000MΩ / DC 500V		
Housing	PBT, UL94-V0, black		
Terminal	Brass, Tin plated		
Screw	M3, Steel, Ni plated		
Torque value (N-m)	0.5~0.6		
Operating temperature	-40°C ~ +130°C		
Wiring type	FW2		
Number of Positions		03~05.....23	



7.62mm

0032-15XX

Technical Data		UL	
UL use group	B	D	
Rated voltage	300V	300V	
Rated current	10A	10A	
Wire range (AWG)	24~16		
Withstand voltage	AC2000V / 1 minute		
Insulation resistance	≥1000MΩ / DC 500V		
Housing	PBT, UL94-V0, black		
Terminal	Brass, Tin plated		
Screw	M3, Steel, Zn plated		
Torque value (N-m)	0.5~0.8		
Operating temperature	-40°C ~ +130°C		
Wiring type	FW2		
Number of Positions		04~32	

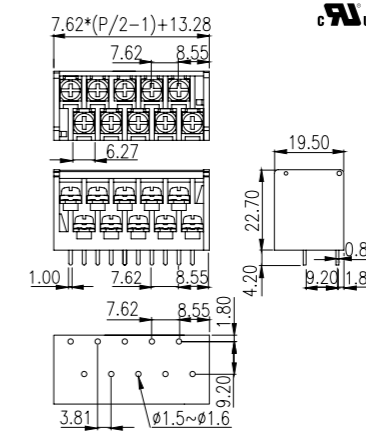
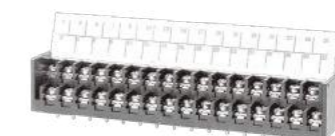
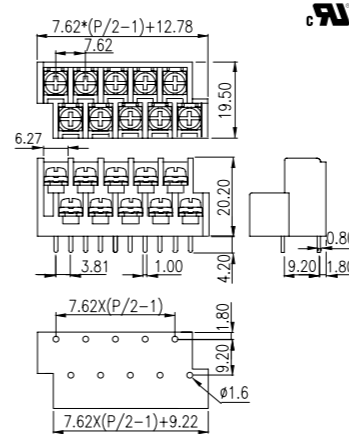
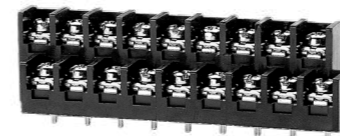


7.62mm

Technical Data		UL	
UL use group	B	D	
Rated voltage	300V	300V	
Rated current	15A	15A	
Wire range (AWG)	22~14		
Withstand voltage	AC2000V / 1 minute		
Insulation resistance	≥1000MΩ / DC 500V		
Housing	PBT, UL94-V0, black		
Terminal	Brass, Tin plated		
Screw	M3, Steel, Ni plated		
Torque value (N-m)	0.8		
Operating temperature	-40°C ~ +130°C		
Wiring type	FW2		
Number of Positions		04~60	

2DD-B01W-XX

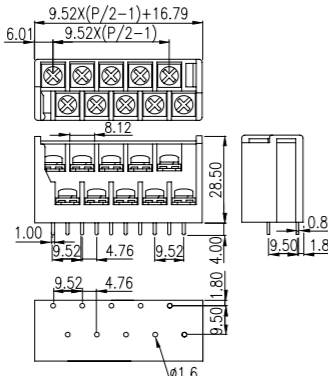
2DC-B01W-XX



9.52mm

4DC-B01W-XX

Technical Data		UL	
UL use group	B	D	
Rated voltage	300V	300V	
Rated current	20A	10A	
Wire range (AWG)	18~12(sol)/14~12(str)		
Withstand voltage	AC2000V / 1 minute		
Insulation resistance	≥1000MΩ / DC 500V		
Housing	PBT, UL94-V0, black		
Terminal	Brass, Tin plated		
Screw	M3.5, Steel, Ni plated		
Torque value (N-m)	1.4		
Operating temperature	-40°C ~ +130°C		
Wiring type	FW2		
Number of Positions		04~48	



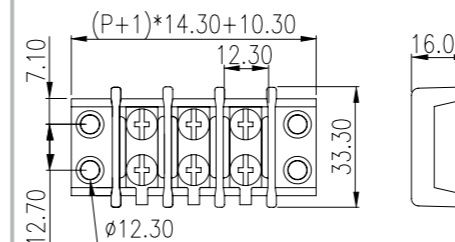
14.3mm

Technical Data		UL	
UL use group	B/C	D	
Rated voltage	600V	600V	
Rated current	35A	35A	
Wire range (AWG)	18~10		
Withstand voltage	AC2500V / 1 minute		
Insulation resistance	≥1000MΩ / DC 500V		
Housing	PBT, UL94-V0, black		
Terminal	Brass, Ni plated		
Screw	#8-32, Steel, Zn plated		
Torque value (N-m)	1.8		
Operating temperature	-40°C ~ +130°C		
Wiring type	FW1		
Number of Positions		02~16	

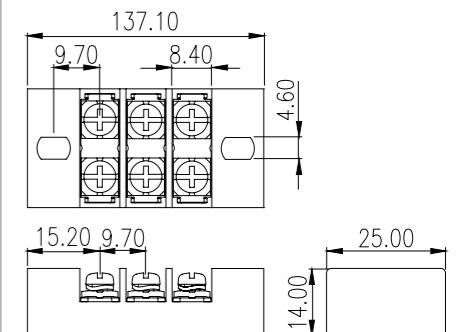
0113-10XX

9.7mm

0032-4512

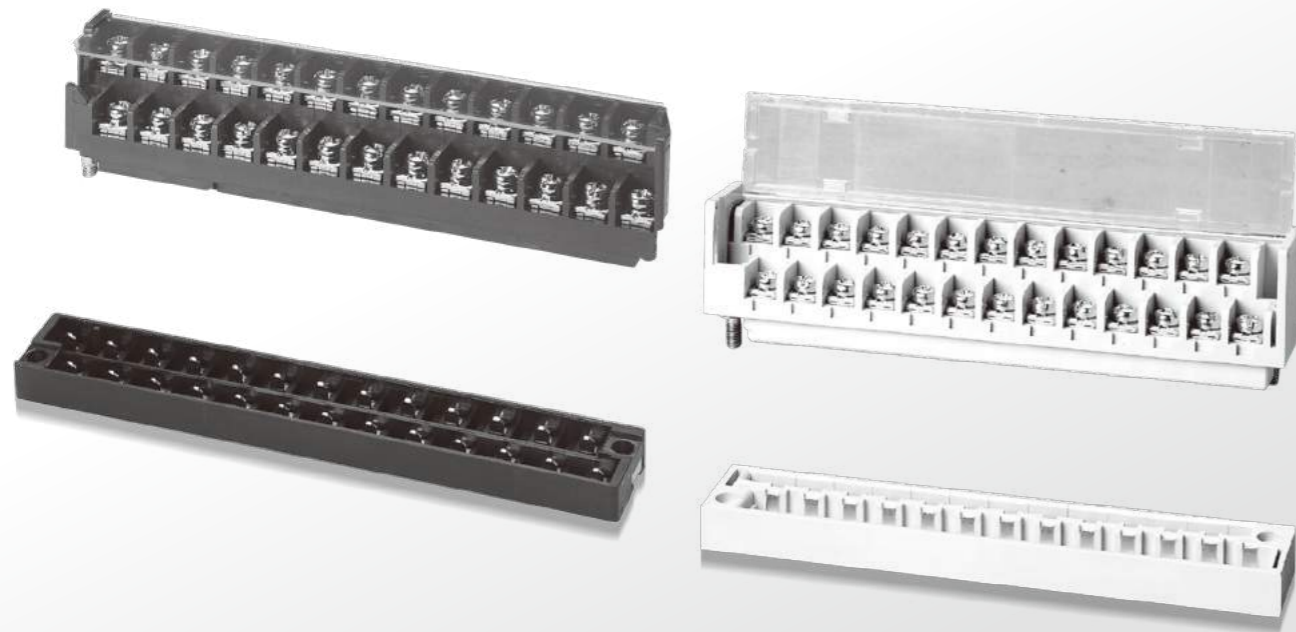


Technical Data		UL	
UL use group	B	D	
Rated voltage	300V	300V	
Rated current	15A	15A	
Wire range (AWG)	22~12		
Withstand voltage	AC2500V / 1 minute		
Insulation resistance	≥1000MΩ / DC 500V		
Housing	PBT, UL94-V0, black		
Terminal	Brass, Ni plated		
Screw	M3.5, Steel, Ni plated		
Torque value (N-m)	0.8~1		
Operating temperature	-40°C ~ +130°C		
Wiring type	FW2		
Number of Positions		12	



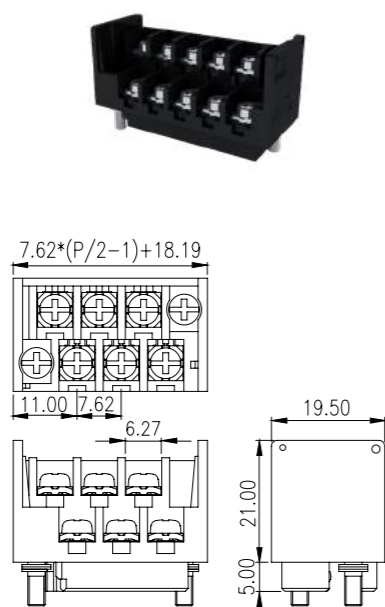
Pluggable type, Bi-Level, Triple-Barrier

The bi-level triple barrier terminal block offers high density wiring and features a pluggable function that allows more versatile applications. Maintaining equipment is made easier through the use of pluggable terminal blocks which saves time. 7.62mm and 9.52mm pitches are available and the range offers a maximum connection of 36 poles for a single block. Also, markings can be printed on the protection cover.

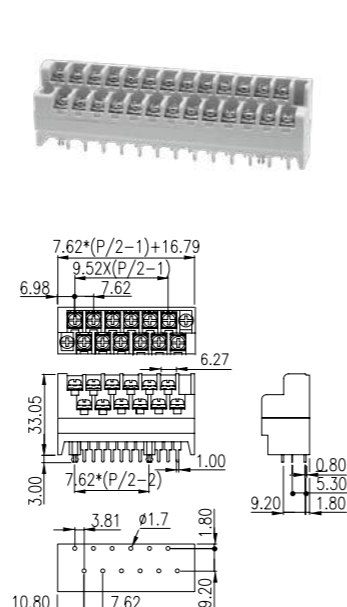


7.62mm		UL	
UL use group	B	D	
Rated voltage	300V	300V	
Rated current	14A	10A	
Wire range (AWG)	22~12		
Withstand voltage	AC2000V / 1 minute		
Insulation resistance	≥1000MΩ / DC 500V		
Housing	PBT, UL94-V0, grey		
Terminal	Phosphor bronze, Gold plated		
Screw	M3, Steel, Ni/Zn plated		
Torque value (N-m)	1		
Operating temperature	-40°C ~ +130°C		
Wiring type	FW2		
Number of Positions			
2DSAN-XX	06~42		
2DSDCN-01-XX	06~42		

2DSAN-XX

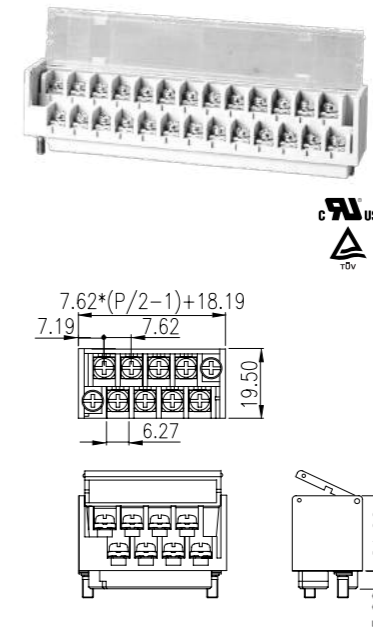


2DSDCN-01-XX

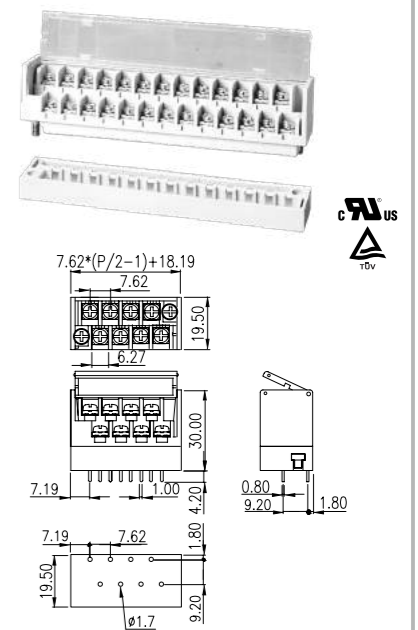


7.62mm		UL	
UL use group	B	D	
Rated voltage	300V	300V	
Rated current	14A	10A	
Wire range (AWG)	22~14		
Withstand voltage	AC2000V / 1 minute		
Insulation resistance	≥1000MΩ / DC 500V		
Housing	PBT, UL94-V0, grey		
Terminal	Phosphor bronze, Gold plated		
Screw	M3, Steel, Ni plated		
Torque value (N-m)	1		
Operating temperature	-40°C ~ +130°C		
Wiring type	FW2		
Number of Positions			
2DSAC-XX	06~42		
2DSCC-01-XX	06~42		

2DSAC-XX

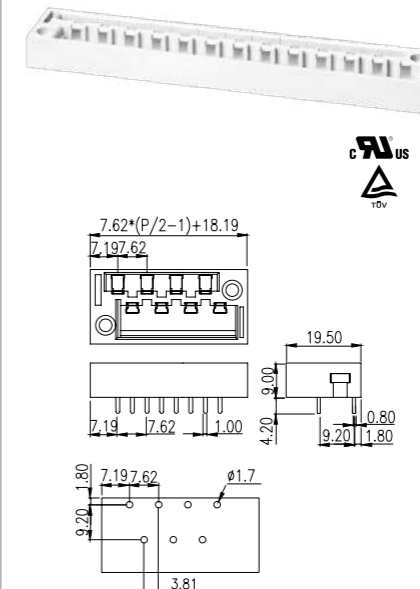


2DSCC-01-XX

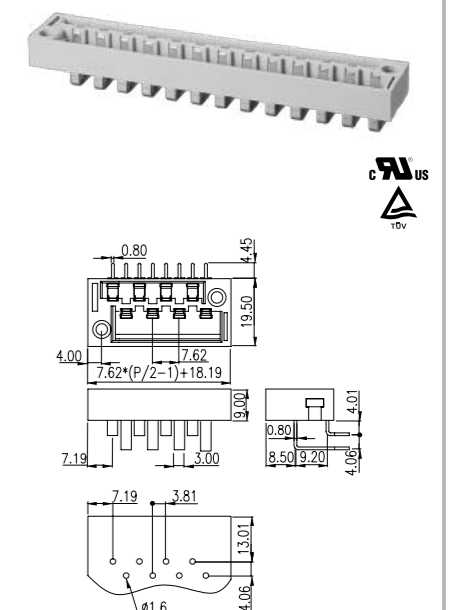


7.62mm		UL	
UL use group	B	D	
Rated voltage	300V	300V	
Rated current	14A	10A	
Withstand voltage	AC2000V / 1 minute		
Insulation resistance	≥1000MΩ / DC 500V		
Housing	PBT, UL94-V0, grey		
Terminal	Copper, Gold plated		
Operating temperature	-40°C ~ +130°C		
Wiring type	FW1		
Number of Positions			
2DSB-01-XX	06~42		
2DSB-14-XX	06~42		

2DSB-01-XX

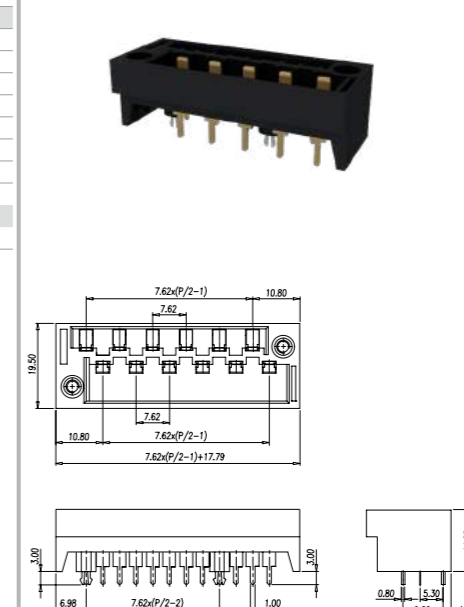


2DSB-14-XX



7.62mm		UL	
UL use group	B	D	
Rated voltage	300V	300V	
Rated current	14A	10A	
Withstand voltage	AC2000V / 1 minute		
Insulation resistance	≥1000MΩ / DC 500V		
Housing	PBT, UL94-V0, grey		
Terminal	Copper, Gold plated		
Operating temperature	-40°C ~ +130°C		
Wiring type	FW1		
Number of Positions			
2DSDB-01-XX	06~42		

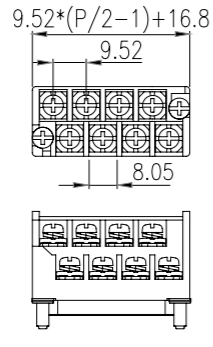
2DSDB-01-XX



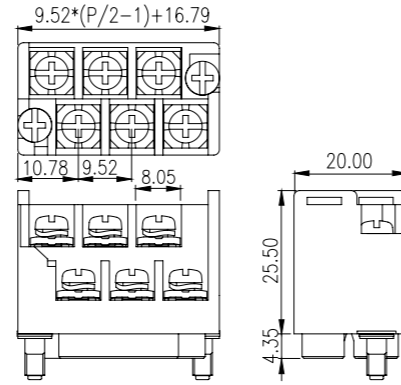
9.52mm

4DSDAC-XX

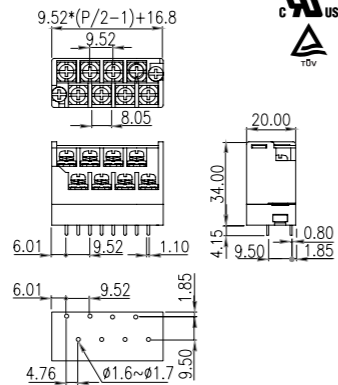
Technical Data		UL	
UL use group	B	D	
Rated voltage	300V	300V	300V
Rated current	15A	10A	10A
Wire range (AWG)	18~14		
Withstand voltage	AC2000V / 1 minute		
Insulation resistance	≥1000MΩ / DC 500V		
Housing	PBT, UL94-V0, black		
Terminal	Phosphor bronze, Gold plated		
Screw	M3.5, Steel, Ni plated		
Torque value (N-m)	1.4		
Operating temperature	-40°C ~ +130°C		
Wiring type	FW2		
Number of Positions			
4DSDAC-XX	08~36		
4DSDAN-XX	08~36		
4DSDCC-01-XX	08~36		



4DSDAN-XX



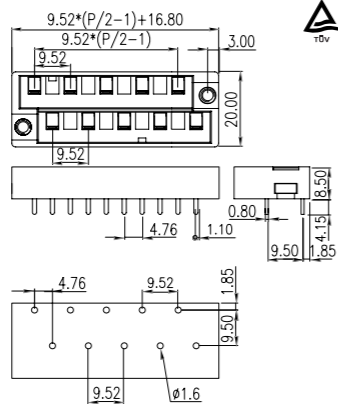
4DSDCC-01-XX



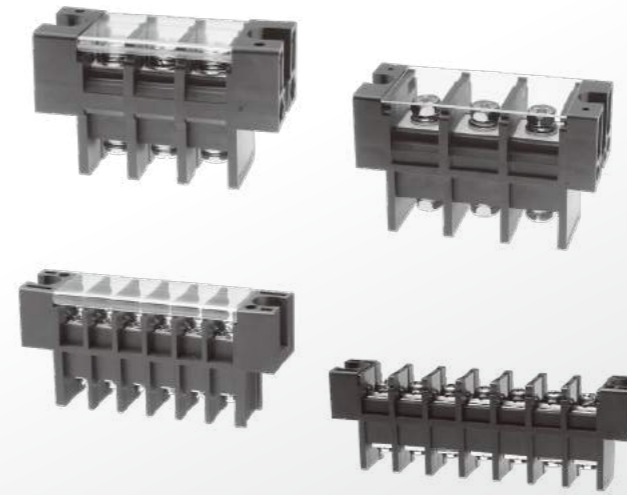
9.52mm

4DSDDB-01-XX

Technical Data		UL	
UL use group	B	D	
Rated voltage	300V	300V	300V
Rated current	15A	10A	10A
Withstand voltage	AC2000V / 1 minute		
Insulation resistance	≥1000MΩ / DC 500V		
Housing	PBT, UL94-V0, black		
Terminal	Brass, Gold plated		
Operating temperature	-40°C ~ +130°C		
Wiring type	FW1		
Number of Positions			
4DSDDB-01-XX	08~36		



Panel Feed-Through

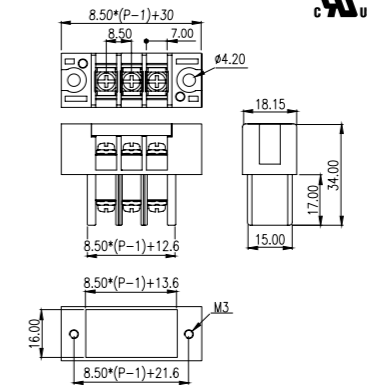


High quality copper material is used for a safer, more effective connection through panels. Available pitches from 8.5mm ~ 27mm with a max. amp rating of 175A and a max. voltage rating of 600V. Top protection covers and washers are optional.

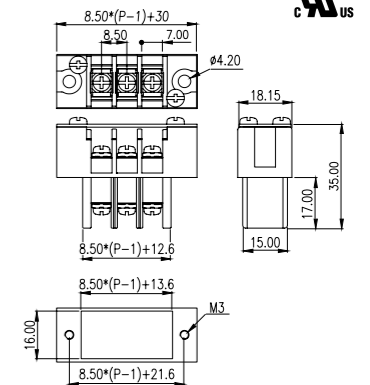
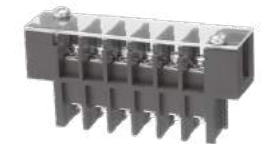
8.5mm

Technical Data		UL	
UL use group	B	C	
Rated voltage	300V	300V	300V
Rated current	20A	20A	20A
Wire range (AWG)	22~12		
Withstand voltage	AC2000V / 1 minute		
Insulation resistance	≥1000MΩ / DC 500V		
Housing	PBT, UL94-V0, black		
Terminal	Copper, Tin plated		
Screw	M3, Steel, Ni plated		
Torque value (N-m)	1		
Operating temperature	-40°C ~ +130°C		
Wiring type	FW2		
Number of Positions			
0168-10XX	02~15		
0168-14XX	02~15		

0168-10XX



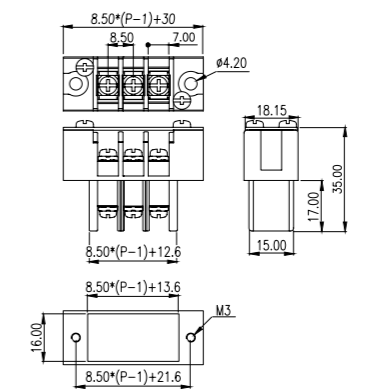
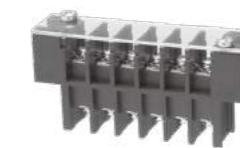
0168-14XX



8.5mm

Technical Data		UL	
UL use group	B	D	
Rated voltage	300V	300V	300V
Rated current	20A	20A	20A
Wire range (AWG)	22~12		
Withstand voltage	AC2000V / 1 minute		
Insulation resistance	≥1000MΩ / DC 500V		
Housing	PBT, UL94-V0, black		
Terminal	Copper, Tin plated		
Screw	M3.5, Steel, Ni plated		
Torque value (N-m)	1		
Operating temperature	-40°C ~ +130°C		
Wiring type	FW2		
Number of Positions			
0168-15XX	02~15		

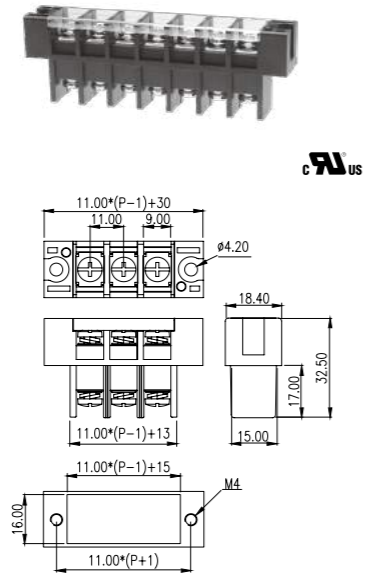
0168-15XX



11.00mm

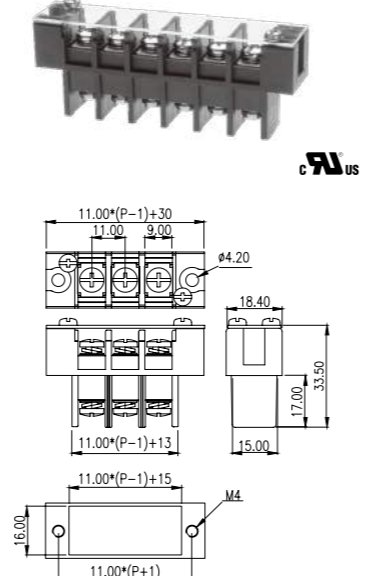
0168-20XX

Technical Data		UL	
UL use group	B	C	
Rated voltage	300V	300V	
Rated current	30A	30A	
Wire range (AWG)	22~10		
Withstand voltage	AC2500V / 1 minute		
Insulation resistance	≥1000MΩ / DC 500V		
Housing	PBT, UL94-V0, black		
Terminal	Copper, Tin plated		
Screw	M4, Steel, Ni plated		
Torque value (N-m)	1.8		
Operating temperature	-40°C ~ +130°C		
Wiring type	FW2		
Number of Positions			
0168-20XX	02~23		
0168-24XX	02~23		



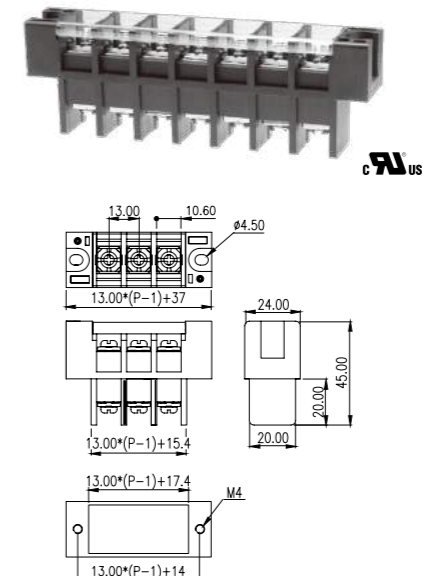
0168-24XX

Technical Data		UL	
UL use group	B	C	
Rated voltage	600V	600V	
Rated current	50A	50A	
Wire range (AWG)	22~8		
Withstand voltage	AC2500V / 1 minute		
Insulation resistance	≥1000MΩ / DC 500V		
Housing	PBT, UL94-V0, black		
Terminal	Copper, Tin plated		
Screw	M4, Steel, Zn plated		
Torque value (N-m)	1.8		
Operating temperature	-40°C ~ +130°C		
Wiring type	FW2		
Number of Positions			
0168-32XX	02~12		
0168-35XX	02~12		

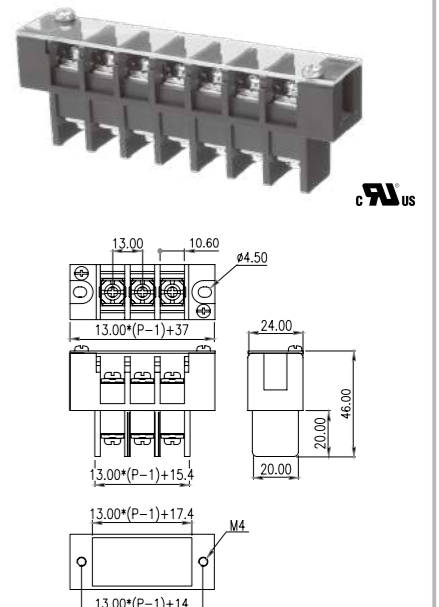


13.00mm

0168-32XX



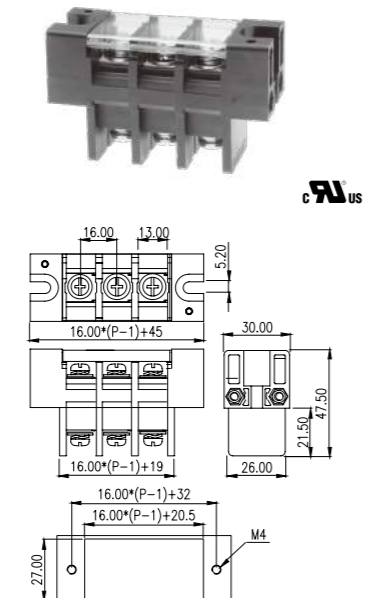
0168-35XX



16.00mm

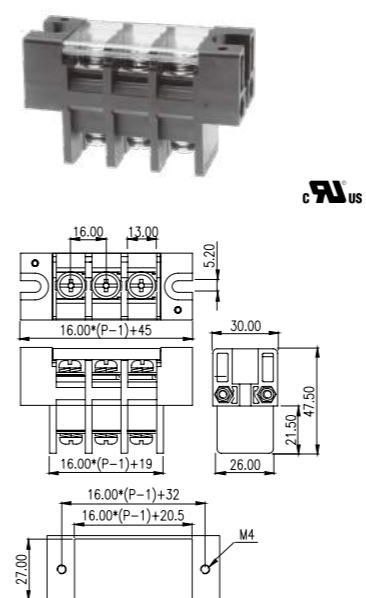
0168-40XX

Technical Data		UL	
UL use group	B	C	
Rated voltage	600V	600V	
Rated current	115A	115A	
Wire range (AWG)	14~2		
Withstand voltage	AC2500V / 1 minute		
Insulation resistance	≥1000MΩ / DC 500V		
Housing	PBT, UL94-V0, black		
Terminal	Copper, Tin plated		
Screw	M5, Steel, Zn plated		
Torque value (N-m)	2.5		
Operating temperature	-40°C ~ +130°C		
Wiring type	FW2		
Number of Positions			
0168-40XX	02~15		



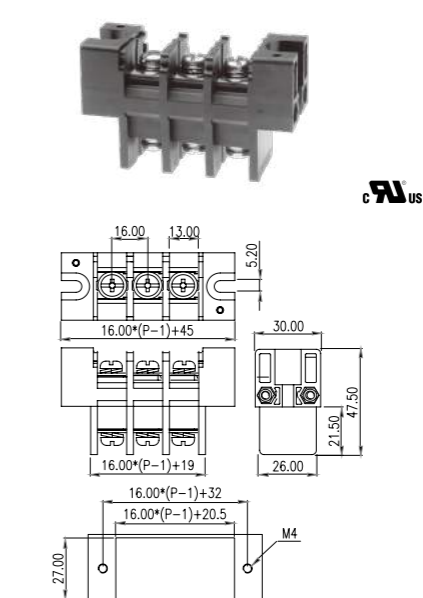
16.00mm

Technical Data		UL	
UL use group	B	C	
Rated voltage	600V	600V	
Rated current	115A	115A	
Wire range (AWG)	14~2		
Withstand voltage	AC2500V / 1 minute		
Insulation resistance	≥1000MΩ / DC 500V		
Housing	PBT, UL94-V0, black		
Terminal	Copper, Tin plated		
Screw	M6, Steel, Ni plated		
Torque value (N-m)	2.5		
Operating temperature	-40°C ~ +130°C		
Wiring type	FW2		
Number of Positions			
0168-42XX	02~15		
0168-43XX	02~15		
0168-45XX	02~15		

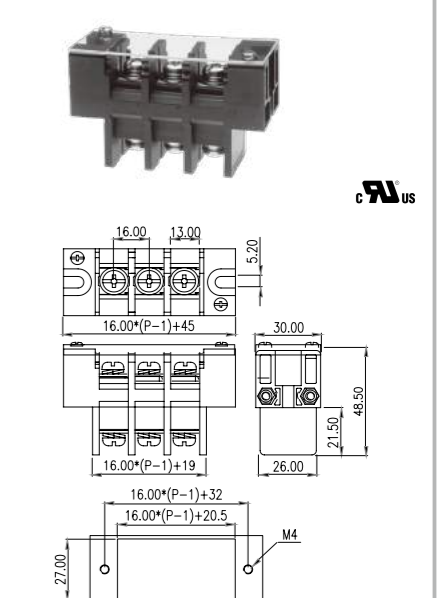


0168-42XX

0168-43XX



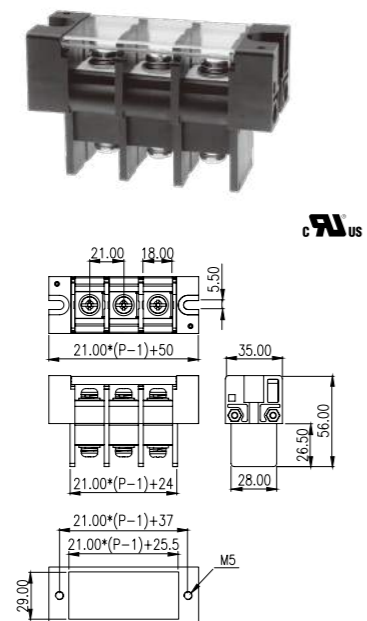
0168-45XX



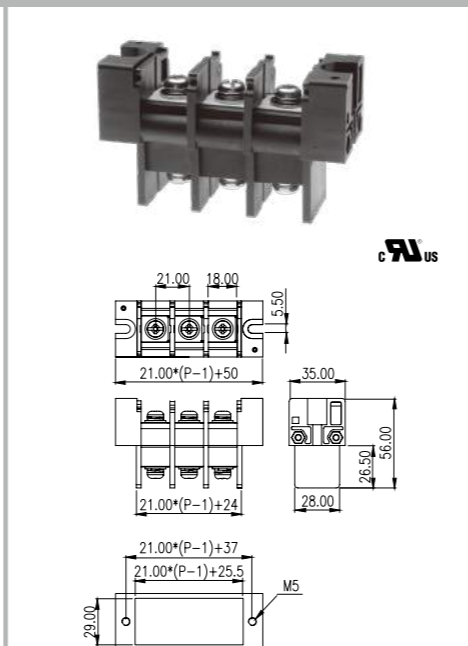
21.00mm

0168-50XX

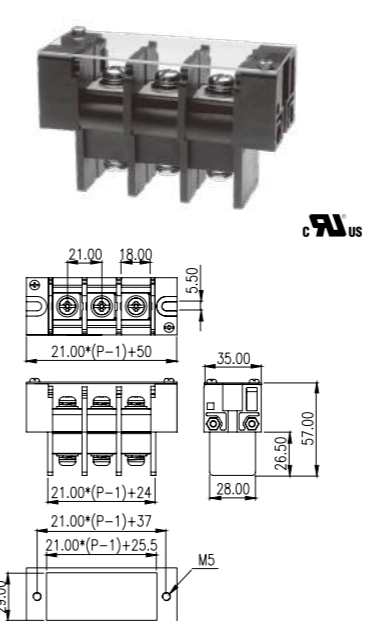
Technical Data		UL	
UL use group	B	C	
Rated voltage	600V	600V	
Rated current	130A	130A	
Wire range (AWG)	8~1		
Withstand voltage	AC2500V / 1 minute		
Insulation resistance	≥1000MΩ / DC 500V		
Housing	PBT, UL94-V0, black		
Terminal	Copper, Tin plated		
Screw	M6, Steel, Ni plated		
Torque value (N-m)	3		
Operating temperature	-40°C ~ +130°C		
Wiring type	FW2		
Number of Positions			
0168-50XX	02~15		
0168-51XX	02~15		
0168-54XX	02~15		



0168-51XX



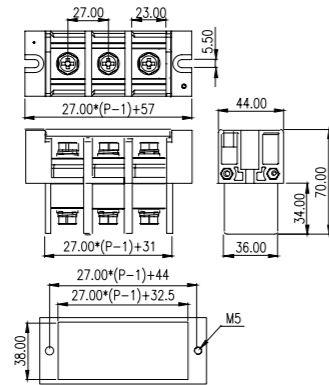
0168-54XX



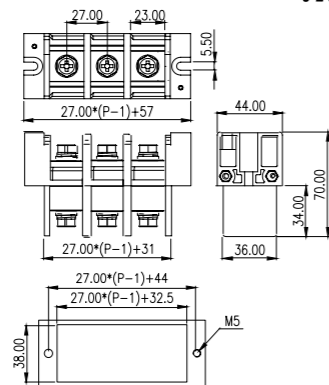
27.00mm

0168-62XX

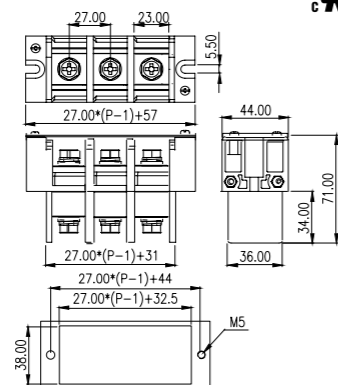
Technical Data	UL	
UL use group	B	C
Rated voltage	600V	600V
Rated current	175A	175A
Wire range (AWG)	10-2/0	
Withstand voltage	AC2500V / 1 minute	
Insulation resistance	≥1000MΩ / DC 500V	
Housing	PBT, UL94-V0, black	
Terminal	Copper, Tin plated	
Screw	M8, Steel, Ni plated	
Torque value (N-m)	6.1	
Operating temperature	-40°C ~ +130°C	
Wiring type	FW2	
	Number of Positions	
0168-62XX	02~15	
0168-63XX	02~15	
0168-65XX	02~15	



0168-63XX



0168-65XX

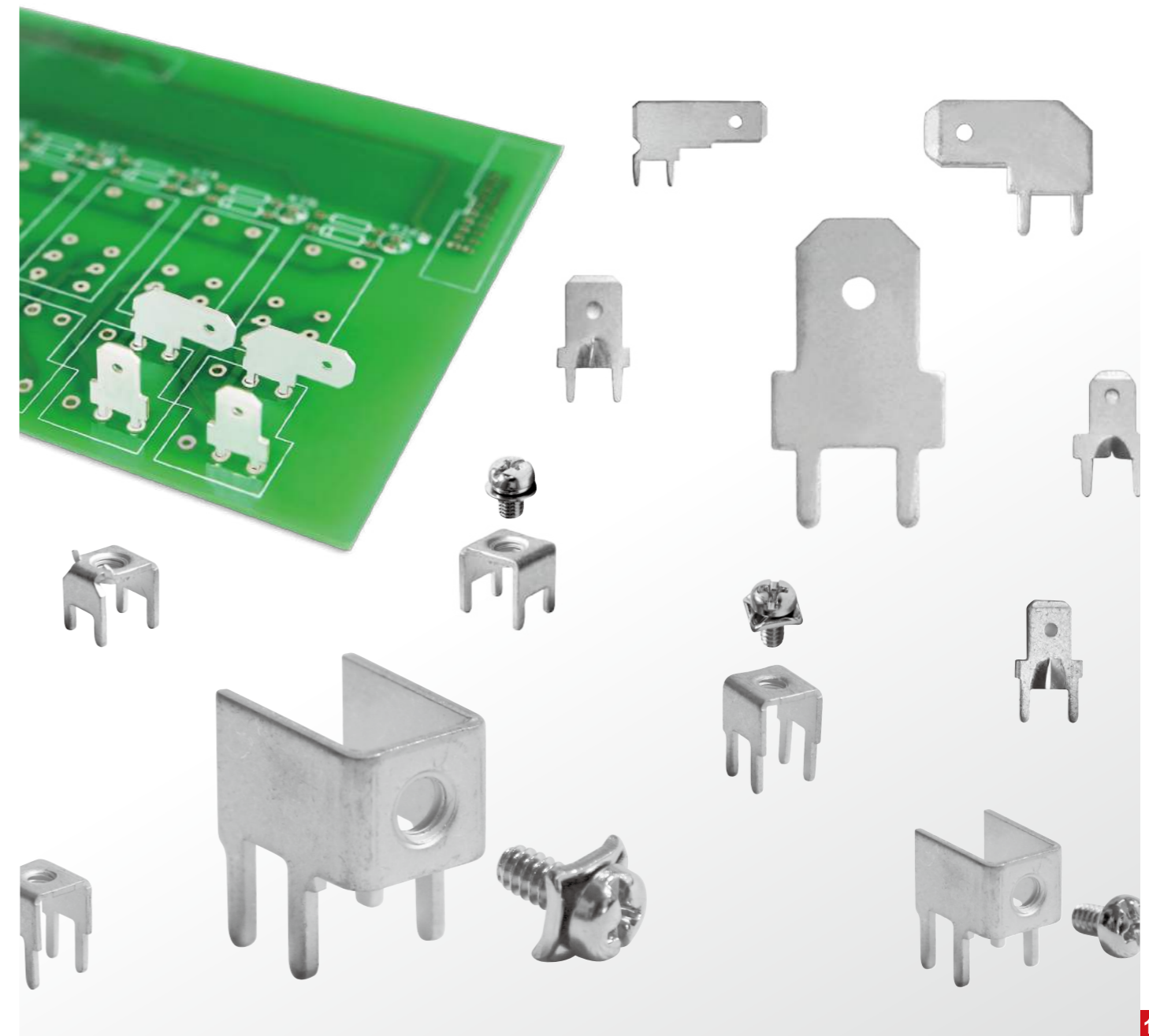


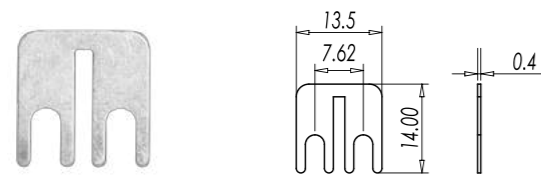
Quick Terminals / Tabs

Quick terminals meet the dimensional and performance requirements of the standard UL310.

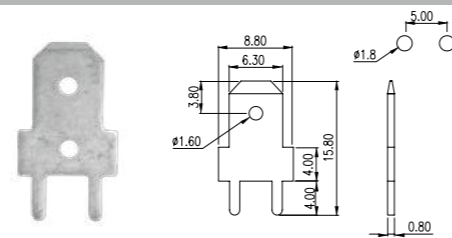
The series of quick terminals is for reliable and cost-effective connections.

These products are designed to terminate wires and components to printed circuit boards (PCBs). Our quick terminals/tabs provide reliable, cost-effective solutions for connecting assemblies with pin contacts to printed circuit boards.

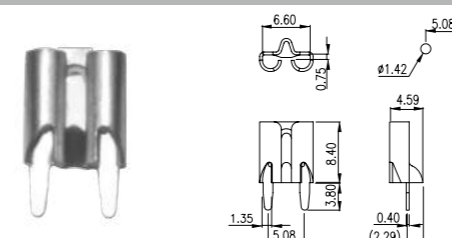


DS-201

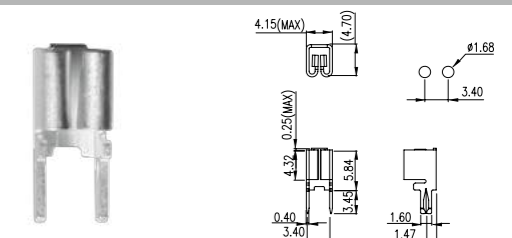
Material	Brass, Tin plated
Rating	15A

P-850

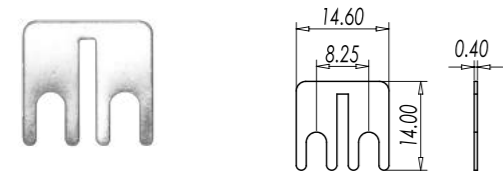
Material	Brass, Tin plated
Rating	30A

P-610

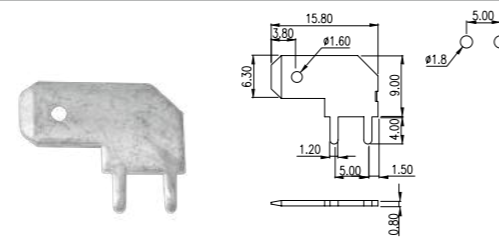
Material	Brass, Tin plated
Rating	30A

P-620

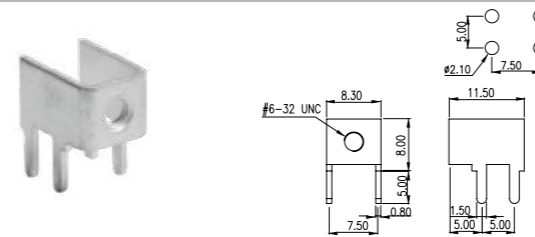
Material	Brass, Tin plated
Rating	20A

DS-301

Material	Brass, Tin plated
Rating	20A

P-860

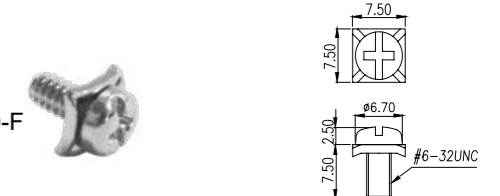
Material	Brass, Tin plated
Rating	30A

P-810

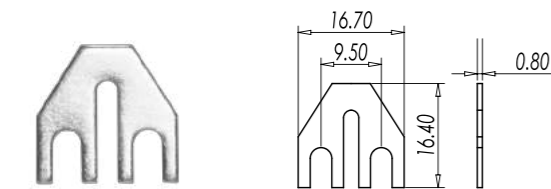
Material	Brass, Tin plated
Rating	80A

Screw

S000001100-F



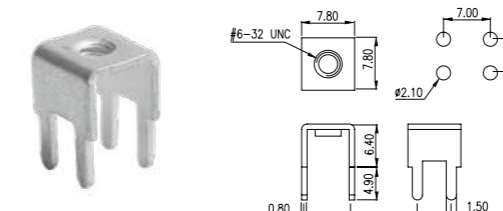
Material	Steel, Ni plated
Size	#6-32
Torque (N-m):	0.8

DS-401

Material	Brass, Tin plated
Rating	25A

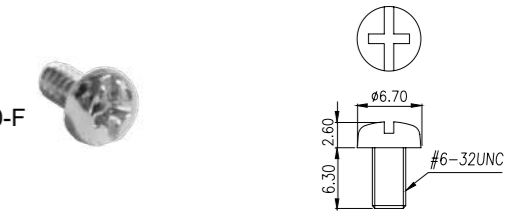
P-861

Material	Brass, Tin plated
Rating	30A

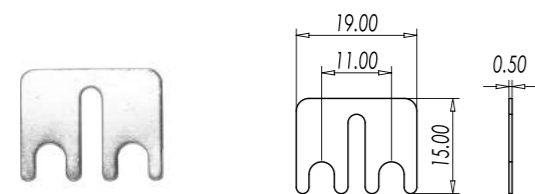
P-820

Material	Brass, Tin plated
Rating	50A

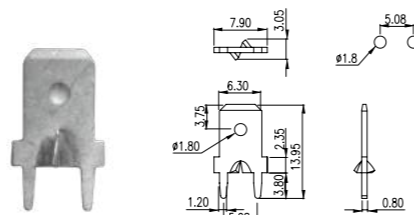
S000001200-F



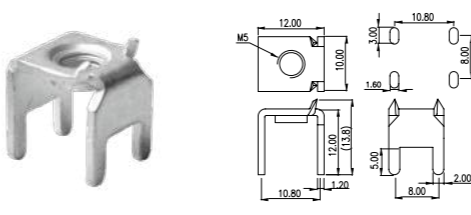
Material	Steel, Ni plated
Size	#6-32
Torque (N-m):	0.8

DS-601

Material	Brass, Tin plated
Rating	25A

P-851

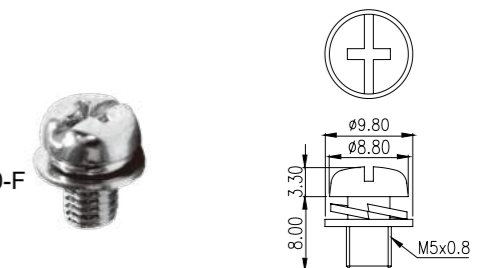
Material	Brass, Tin plated
Rating	30A

P-830

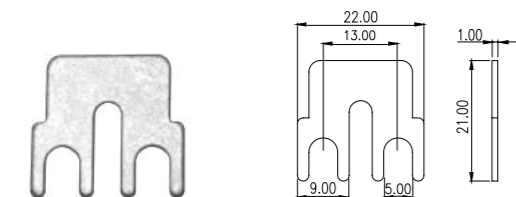
Material	Brass, Tin plated
Rating	85A

Screw

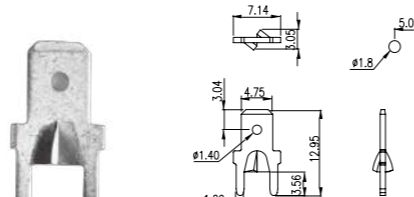
S000004700-F



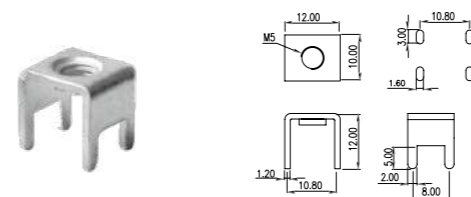
Material	Steel, Zn plated
Size	M5
Torque (N-m):	2

DS-701

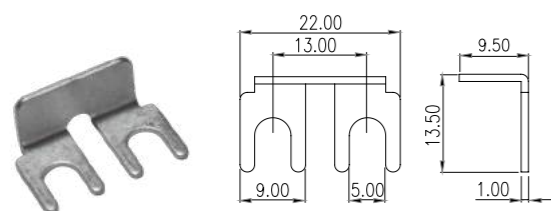
Material	Brass, Tin plated
Rating	40A

P-871

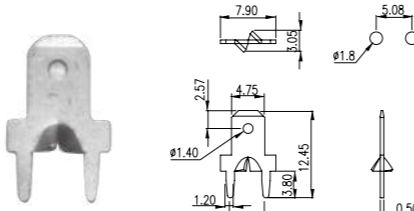
Material	Brass, Tin plated
Rating	30A

P-831

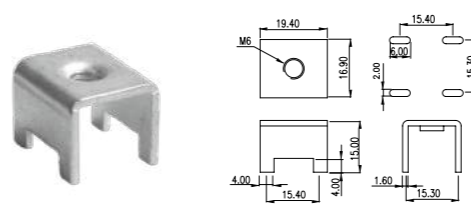
Material	Brass, Tin plated
Rating	85A

DS-701R

Material	Brass, Tin plated
Rating	40A

P-872

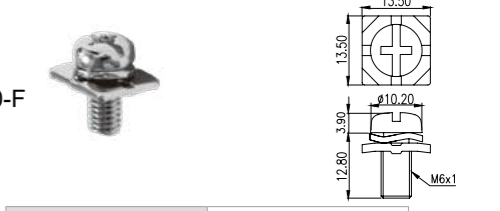
Material	Brass, Tin plated
Rating	30A

P-840

Material	Brass, Tin plated
Rating	150A

Screw

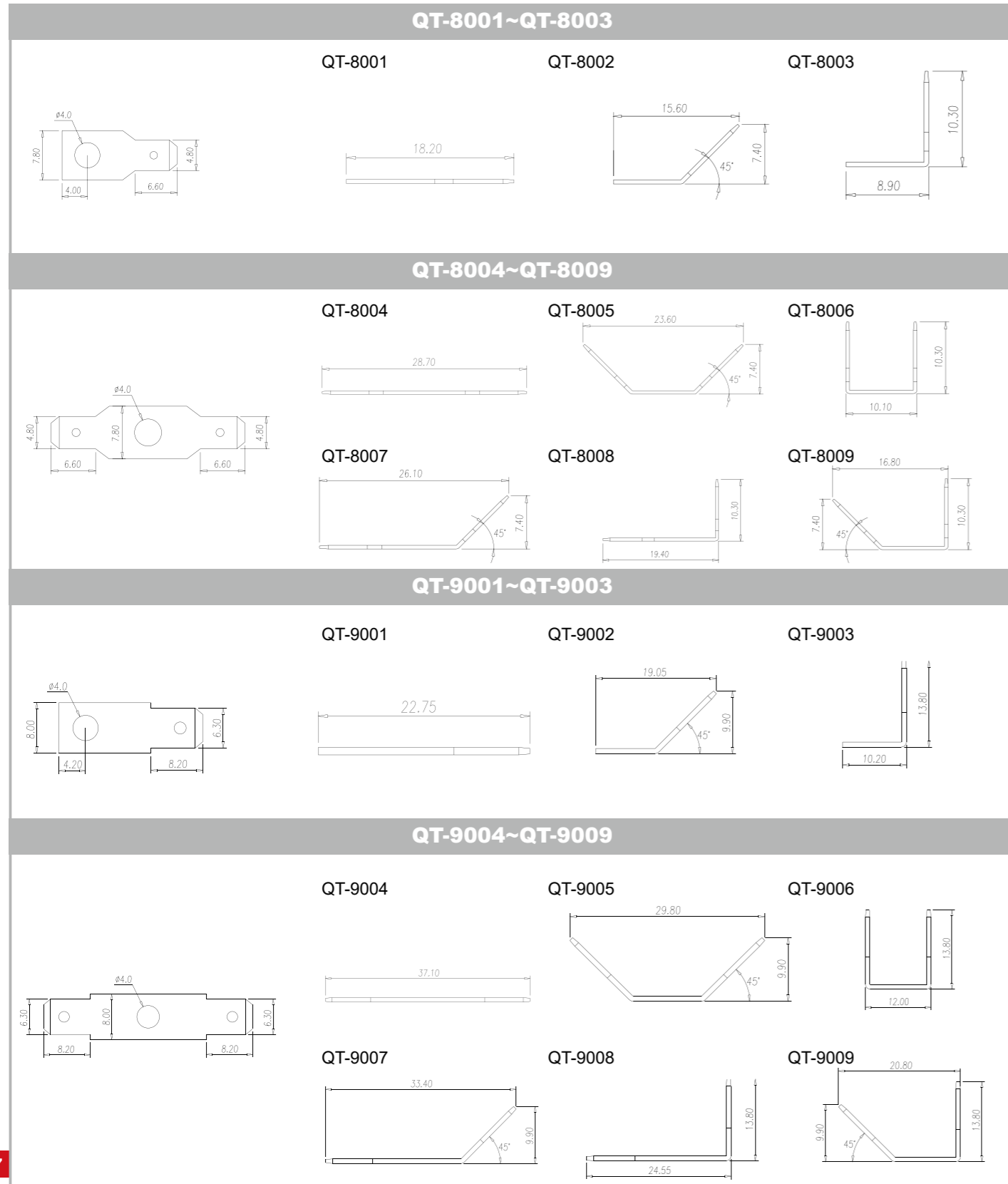
S000008400-F



Material	Steel, Ni plated
Size	M6
Torque (N-m):	2.5

Quick PCB Tabs

PCB tabs are used to test receptacle insertion/extraction requirements quickly and simply. Double-ended test tab can be used for electrical and temperature rise testing. These terminals are designed according to the electrical test setup outlined in UL 310.



Index

Part number	Page	Part number	Page	Part number	Page	Part number	Page
00		0152-02XX	96	0156-27XX-BK	8	0161-02XX	33
0032-09XX	130	0153-02XX	95	0156-27XXL	8	0161-03XX	33
0032-11XX	129	0153-41XX	95	0156-29XX-BK	7	0161-04XX	34
0032-14XX	131	0153-91XX	95	0156-29XX-BK-WR	84	0161-11XX	33
0032-15XX	135	0156-10XX	4	0156-29XXL	7	0161-12XX	33
0032-23XX	136	0156-10XXL	4	0156-29XXLWR	84	0161-13XX	33
0032-4512	136	0156-12XX	5	0156-2AXX-BK	7	0161-14XX	34
01		0156-12XXL	5	0156-2BXX-BK	7	0162-01XX	45
0113-10XX	136	0156-13XX	5	0156-2CXX-BK	7	0162-06XX	45
0121-01XX	41	0156-13XXL	5	0156-2DXX-BK	7	0162-11XX	45
0136-10XX	92	0156-15XX	4	0156-9AXX	8	0162-A1XX	45
0136-11XX	92	0156-15XXL	4	0156-9BXX	7	0162-A6XX	45
0136-20XX	92	0156-16XX	5	0156-9CXX	7	0164-01XX	45
0136-21XX	93	0156-16XXL	5	0156-9DXX	8	0164-01XX(T)	45
0136-22XX	93	0156-17XX	5	0157-10XXL	6	0164-02XX	45
0136-23XX	92	0156-17XXL	5	0157-15XXL	6	0164-11XX	45
0137-11XX	95	0156-18XX	5	0157-1BXX	6	0164-11XXL	45
0137-40XX	94	0156-18XXL	5	0159-01XX	9	0164-12XX	45
0137-41XX	94	0156-19XX	5	0159-03XX	9	0164-A1XX	45
0138-10XX	92	0156-19XXL	5	0159-04XX	9	0164-A1XX(T)	45
0138-11XX	92	0156-1AXX-BK	5	0159-05XX	10	0164-A2XX	45
0138-50XX	93	0156-1BXX-BK	4	0159-07XX	10	0166-80XX	129
0138-50XXL	93	0156-1CXX-BK	5	0159-08XX	10	0166-80XXC	129
0138-50XXSMD	93	0156-1DXX-BK	5	0159-11XX	9	0167-10XX	132
0138-51XX	93	0156-20XX-BK	7	0159-11XXL	9	0167-50XX	133
0138-51XXL	93	0156-20XX-BK-WR	84	0159-11XXLWR	84	0167-52XX	133
0138-60XX	96	0156-20XXL	7	0159-11XXWR	84	0167-70XX	134
0138-60XXL	96	0156-20XXLWR	84	0159-12XX	9	0167-80XX	134
0138-61XX	96	0156-21XX-BK	7	0159-12XXL	9	0167-80XXC	134
0138-61XXL	96	0156-21XX-BK-WR	84	0159-12XXLWR	84	0167-90XX	132
0138-70XX	96	0156-21XX-BK-WR	84	0159-12XXWR	84	0168-10XX	140
0138-76XX	96	0156-21XXL-WR	84	0159-13XX	10	0168-14XX	140
0141-01XX	93	0156-21XXL	7	0159-13XXL	10	0168-15XX	140
0141-21XX	96	0156-22XX-BK	8	0159-13XXLWR	84	0168-20XX	141
0141-22XX	93	0156-22XXL	8	0159-13XXWR	84	0168-24XX	141
0141-24XX	96	0156-24XX-BK	7	0159-31XX	9	0168-32XX	142
0150-20XX	35	0156-24XX-BK-WR	84	0159-31XXL	9	0168-35XX	142
0150-21XX	35	0156-24XXL	7	0159-31XXLWR	84	0168-40XX	141
0150-26XX	35	0156-24XXLWR	84	0159-31XXWR	84	0168-42XX	142
0150-30XX	36	0156-25XX-BK	7	0159-32XX	9	0168-43XX	142
0150-31XX	36	0156-25XX-BK-WR	84	0159-32XXL	9	0168-45XX	142
0150-36XX	36	0156-25XXL	7	0159-32XXLWR	84	0168-50XX	141
0150-40XX	36	0156-25XXLWR	84	0159-32XXWR	84	0168-51XX	141
0150-46XX	36	0156-26XX-BK	7	0159-33XX	10	0168-54XX	142
0151-01XX	93	0156-26XX-BK	8	0159-33XXL	10	0168-62XX	143
0151-01XXL	94	0156-26XX-BK-WR	84	0159-33XXLWR	84	0168-63XX	143
0151-02XX	93	0156-26XXL	7	0159-33XXWR	84	0168-65XX	143
0151-02XXL	94	0156-26XXL	8	0159K1L	10	0171-10XX	114
0152-01XX	95	0156-26XXLWR	84	0161-01XX	33	0171-11XX	114

Part number	Page	Part number	Page	Part number	Page	Part number	Page
0171-20XX	114	0189-212PR	116	0225-01XX	13	0226-06XX	16
0171-21XX	114	0189-213PL	115	0225-02XX	13	0226-07XX	16
0171-60XX	114	0189-213PR	116	0225-03XX	13	0226-08XX	16
0177-03XX	100	0189-214PL	115	0225-04XX	11	0226-13XX	15
0177-06XX	100	0189-214PR	116	0225-05XX	11	0226-13XXL	15
0177-08XX	100	0191-01XX	44	0225-06XX	14	0226-14XX	15
0177-31XX	99	0191-01XXC	44	0225-07XX	14	0226-14XXL	15
0177-33XX	99	0191-02XX	43	0225-08XX	14	0226-16XX	16
0177-51XX	99	0191-02XXC	43	0225-09XX	12	0226-16XXL	16
0177-53XX	99	0191-04XX	44	0225-0AXX	12	0226-17XX	16
0177-76XX	99	0191-04XXC	44	0225-13XX	13	0226-17XXL	16
0177-78XX	99	0191-06XX	44	0225-13XXL	13	0226-23XX	15
0177-81XX	100	0191-06XXC	44	0225-14XX	13	0226-23XXL	15
0177-83XX	100	0191-11XXTH	44	0225-14XXL	13	0226-24XX	15
0177-86XX	100	0191-12XXTH	43	0225-16XX	14	0226-24XXL	15
0177-88XX	100	0191-12XXTH	44	0225-16XXL	14	0226-26XX	16
0181-A1XX	32	0191-16XXTH	44	0225-17XX	14	0226-26XXL	16
0181-A3XX	32	0191-16XXTH	44	0225-17XXL	14	0226-27XX	16
0183-01XX	66	02		0225-23XX	13	0226-27XXL	16
0183-01XXTXX	66	0221-20XX	25	0225-23XXL	13	0226-33XX	15
0183-11XX	66	0221-21XX	26	0225-24XX	13	0226-33XXL	15
0183-11XXTXX	66	0221-22XX-BK	25	0225-24XXL	13	0226-34XX	15
0184-11XX	23	0221-22XXL	25	0225-26XX	14	0226-34XXL	15
0184-13XX	23	0221-23XXL	25	0225-26XXL	14	0226-36XX	16
0184-15XX	23	0221-24XX	26	0225-27XX	14	0226-36XXL	16
0184-16XX	23	0221-25XX-BK	25	0225-27XXL	14	0226-37XX	16
0184-31XX	24	0221-25XXL	25	0225-33XX	13	0226-37XXL	16
0184-33XX	24	0221-26XXL	26	0225-33XXL	13	0227-01XX	17
0184-35XX	24	0221-27XX-BK	26	0225-34XX	13	0227-02XX	17
0184-36XX	24	0221-27XXL	26	0225-34XXL	13	0227-03XX	17
0185-11XX	94	0221-28XX	26	0225-36XX	14	0227-04XX	17
0185-12XX	94	0221-29XX	26	0225-36XXL	14	0227-06XX	18
0185-31XX	94	0221-33XX-BK	27	0225-37XX	14	0227-07XX	18
0185-32XX	94	0221-33XXL	27	0225-37XX	14	0227-08XX	18
0186-10XX	125	0221-35XXL	26	0225-46XX	11	0227-09XX	18
0186-40XX	132	0221-36XXL	26	0225-47XX	11	0227-09XX	34
0187-A4XX	34	0221-39XX-BK	27	0225-56XX	11	0227-13XX	17
0188-01XXL	91	0221-39XXL	27	0225-57XX	11	0227-13XXL	17
0188-01XXSMD	91	0221-41XX-BK	25	0225-66XX	12	0227-14XX	17
0188-02XXL	91	0221-41XXL	25	0225-67XX	12	0227-14XXL	17
0188-02XXSMD	91	0221-42XX	27	0225-76XX	12	0227-16XX	18
0188-12XXSMD	96	0221-43XX	27	0225-77XX	12	0227-16XX	33
0189-202PL	115	0221-44XX	27	0225K1	14	0227-16XXL	18
0189-202PR	116	0221-51XX-BK	27	0225K2L	14	0227-16XXL	33
0189-203PL	115	0221-51XXL	27	0225K3	14	0227-17XX	18
0189-203PR	116	0221-52XX-BK	27	0225K4L	14	0227-17XX	33
0189-204PL	115	0221-52XXL	27	0226-01XX	15	0227-17XXL	18
0189-204PR	116	0221-64XX	25	0226-02XX	15	0227-17XXL	33
0189-212PL	115	0221-64XXL	25	0226-03XX	15	0227-23XX	17

Part number	Page	Part number	Page	Part number	Page	Part number	Page
0227-23XXL	17	0274-31XX	98	2EHDRRM-XXPL	76	2ESR-XXP	30
0227-24XX	17	0274-32XX	98	2EHDV-XXP	76	2ESRK-XXP	30
0227-24XXL	17	0274-41XX	98	2EHDV-XXPL	76	2ESRM-XXP	30
0227-26XX	18	0274-42XX	98	2EHDV-XXPLWR	87	2ESS-XXP	29
0227-26XX	33	0274-43XX	98	2EHDV-XXPWR	87	2ESSM-XXP	29
0227-26XXL	18	0275-21XX	98	2EHDVC-XXP	22	2ESV-XXP	30
0227-26XXL	33	1		2EHDVC-XXP	76	2ESVK-XXP	30
0227-27XX	18	141R-XXP	92	2EHDVC-XXPL	76	2ESVM-XXP	30
0227-27XX	33	141V-XXP	92	2EHDVC-XXPWR	87	3	
0227-27XXL	18	142R-XXP	95	2EHDVC-XXPLWR	87	3EHDR-XXP	78
0227-27XXL	33	142V-XXP	95	2EHDVM-XXP	76	3EHDR-XXPWR	88
0227-33XX	17	2		2EHDVM-XXPL	22	3EHDR-XXP	78
0227-33XXL	17	2DC-B01W-XX	136	2EHDVM-XXPL	76	3EHDR-XXPWR	88
0227-34XX	17	2DD-B01W-XX	136	2EHDVM-XXPLWR	87	3EHDRM-XXP	78
0227-34XXL	17	2DSAC-XX	138	2EHDVM-XXPWR	87	3EHDRM-XXPWR	88
0227-36XX	18	2DSAN-XX	137	2ESDA-XXP	57	3EHDV-XXP	78
0227-36XX	33	2DSB-01-XX	138	2ESDAM-XXP	57	3EHDV-XXPWR	88
0227-36XXL	18	2DSB-14-XX	138	2ESDB-XXP	34	3EHDVC-XXP	78
0227-36XXL	33	2DSCC-01-XX	138	2ESDBAMXXP	34	3EHDVC-XXPWR	88
0227-37XX	18	2DSDB-01-XX	138	2ESDBAM-XXP	34	3EHDVM-XXP	78
0227-37XX	33	2DSDCN-01-XX	137	2ESDBM-XXP	34	3EHDVM-XXPWR	88
0227-37XXL	18	2EEHDR-XXP	77	2ESDCR-XXP	46	3ESDP-XXP	59
0227-37XXL	33	2EEHDRM-XXP	77	2ESDCRM-XXP	46	3ESDPL-XXP	59
0227K1	17	2EEHDV-XXP	77	2ESDCV-XXP	46	3ESDPLM-XXP	59
0227K2L	18	2EEHDVM-XXP	77	2ESDCVM-XXP	46	3ESDPM-XXP	59
0228-21XX	114	2EHDA-XXP	75	2ESDF-XXP	55	3ESDS-XXP	42
0228-22XX	114	2EHDAC-XXP	75	2ESDFM-XXP	55	3ESDSM-XXP	42
0228-23XX	114	2EHDBR-XXP	77	2ESDL-XXP	58	3ESDSR-XXP	42
0229-A5XX	12	2EHDBRM-XXP	77	2ESDP-XXP	57	3ESDSRH-XXP	42
0229-A9XX	12	2EHDBV-XXP	77	2ESDPL-XXP	58	3ESDSRHM-XXP	42
0229-F4XX	11	2EHDBVM-XXP	77	2ESDPLM-XXP	58	3ESDSRM-XXP	42
0229-F5XX	11	2EHDP-XXP	81	2ESDPM-XXP	57	3ESDV-XXP	59
0229-F9XX	12	2EHDPN-XXP	82	2ESDSM-XXP	40	3ESDVHM-XXP	60
0229-FAXX	12	2EHDR-XXP	22	2ESDSR-XXP	40	3ESDVH-XXP	60
0229-M5XXY	12	2EHDR-XXP	76	2ESDSRM-XXP	41	3ESDVM-XXP	59
0229-M9XXY	12	2EHDR-XXPL	76	2ESDSV-XXP	29	3ESDVNM-XXP	60
0256-11XX	19	2EHDR-XXPLWR	87	2ESDSVK-XXP	29	3ESNP-XXP	63
0256-12XX	20	2EHDR-XXPWR	87	2ESDSVM-XXP	29	3ESNPH-XXP	62
0256-14XX	20	2EHDR-XXP	76	2ESDS-XXP	40	3ESNPHL-XXP	62
0256-61XX	20	2EHDR-XXPL	76	2ESDV-XXP	57	3ESNPHLM-XXP	62
0256-62XX	20	2EHDR-XXPLWR	87	2ESDV-XXP	32	3ESNPHM-XXP	62
0256-64XX	20	2EHDR-XXPWR	87	2ESDVBM-XXP	32	3ESNPL-XXP	63
0257-11XX	21	2EHDRM-XXP	76	2ESDVH-XXP	56	3ESNPLM-XXP	63
0257-12XX	22	2EHDRM-XXPL	22	2ESDVHM-XXP	56	3ESNPLS-XXP	63
0257-14XX	22	2EHDRM-XXPL	76	2ESDVM-XXP	57	3ESNPLSM-XXP	63
0257-61XX	22	2EHDRM-XXPWR	87	2ESDVNM-XXP	58	3ESNPM-XXP	63
0257-62XX	22	2EHDRM-XXPLWR	87	2ESDVS-XXP	57	3ESNPS-XXP	63
0257-64XX	22	2EHDRR-XXPL	76	2ESH-XXP	47	3ESNPSM-XXP	63
0274-21XX	98	2EHDRRC-XXPL	76	2ESHM-XXP	47	3ESNVH-XXP	62

Part number	Page	Part number	Page	Part number	Page	Part number	Page
3ESNVHM-XXP	62	5EHDRM-XXP	74	5ESDTS-XXP	53	DT-25-A02W-XX	123
4		5EHDRM-XXPL	86	5ESDV-XXP	55	DT-25-B01W-XX	123
4DC-B01W-XX	135	5EHDRM-XXPL	86	5ESDVM-XXP	55	DT-25-B07W-XX	124
4DSDAC-XX	139	5EHDRM-XXPLWR	73	5ESR-XXP	28	DT-25-B14W-XX	124
4DSDAN-XX	139	5EHDRM-XXPWR	73	5ESRK-XXP	28	DT-29-B01W-XX	130
4DSDB-01-XX	139	5EHDRR-XXP	85	5ESRM-XXP	28	DT-29-B02W-XX	130
4DSDCC-01-XX	139	5EHDRR-XXPL	85	5ESV-XXP	28	DT-2G-A02W-XX	123
5		5EHDRR-XXPLWR	73	5ESVK-XXP	28	DT-2G-B01W-XX	123
5EEHDHV-XXPL	74	5EHDRR-XXPWR	73	5ESVM-XXP	28	DT-2G-B14W-XX	124
5EEHDHVC-XXPL	74	5EHDRRC-XXP	85	6		DT-31-B01W-XX	124
5EEHDHVM-XXPL	74	5EHDRRC-XXPL	85	7		DT-35-A02W-XX	124
5EEHDR-XXP	74	5EHDRRC-XXPLWR	74	7EHDR-XXP	78	DT-35-B01W-XX	124
5EEHDRM-XXP	74	5EHDRRC-XXPWR	85	7EHDRC-XXP	78	DT-39-B01W-XX	131
5EEHDV-XXP	74	5EHDRRM-XXPL	73	7EHDRM-XXP	78	DT-39-B02W-XX	131
5EEHDVM-XXP	74	5EHDRRM-XXPLWR	73	7EHDV-XXP	78	DT-3C-B01W-XX	126
5EH-2PL	115	5EHDV-XXP	86	7EHDVC-XXP	78	DT-45-A02W-XX	125
5EH-2PLL	115	5EHDV-XXPL	86	7EHDVM-XXP	78	DT-45-B01W-XX	125
5EH-2PR	116	5EHDV-XXPLWR	21	7ES-3PL	117	DT-49-B01W-XX	131
5EH-2PRL	116	5EHDV-XXPWR	73	7ES-3PR	117	DT-49-B02W-XX	131
5EH-3PL	115	5EHDVC-XXP	73	7ESDP-XXP	59	DT-49-C91W-XX	132
5EH-3PLL	115	5EHDVC-XXP	86	7ESDPL-XXP	59	DT-4C-B01W-XX	125
5EH-3PR	116	5EHDVC-XXPL	86	7ESDPLM-XXP	59	DT-4C-B14W-XX	125
5EH-3PRL	116	5EHDVC-XXPLWR	74	7ESDPM-XXP	59	DT-55-B01W-XX	126
5EH-4PL	115	5EHDVC-XXPWR	22	7ESDV-XXP	59	DT-55-B14W-XX	126
5EH-4PLL	115	5EHDVM-XXP	74	7ESDVM-XXP	59	DT-5C-B01W-XX	127
5EH-4PR	116	5EHDVM-XXPL	86	B		DT-5C-B81W-XX	126
5EH-4PRL	116	5EHDVM-XXPL	86	BST-111-05	113	DT-5C-B84W-XX	126
5EHDBR-XXP	74	5EHDVM-XXPLWR	115	BST-112-05	113	DT-65-A02W-XX	128
5EHDBRM-XXP	74	5EHDVM-XXPWR	116	BST-120-05	113	DT-65-B01W-XX	128
5EHDBV-XXP	74	5ES-2PL	115	BST-220-05	113	DT-65-B14W-XX	128
5EHDBVM-XXP	74	5ES-2PR	116	C		DT-66-B01W-XX	127
5EHDK-XXP/1.0	81	5ES-3PL	115	CPC350-XXP	24	DT-66-B02W-XX	127
5EHDK-XXP/1.2	82	5ES-3PR	116	CSC-01XX	66	DT-66-B11W-XX	128
5EHDK-XXP/1.4	81	5ES-4PL	115	D		DT-66-C01W-XX	127
5EHDK-XXP/1.6	82	5ES-4PR	116	DS-201	145	DT-66-C11W-XX	128
5EHDKM-XXP/1.0	82	5ESDAM-XXP	55	DS-301	145	DT-69-B01W-XX	132
5EHDKM-XXP/1.2	82	5ESDA-XXP	55	DS-401	145	DT-69-H53W-XX	133
5EHDKM-XXP/1.4	82	5ESDF-XXP	54	DS-601	145	DT-79-B01W-XX	134
5EHDKM-XXP/1.6	73	5ESDFM-XXP	54	DS-701	145	DT-7C-A02W-XX	128
5EHDKPM-XXP	73	5ESDG-XXP	24	DS-701R	145	DT-7C-B01W-XX	128
5EHDR-XXP	86	5ESDP-XXP	55	DT-123HVR-XXP	110	DT-7C-B18W-XX	128
5EHDR-XXPL	86	5ESDPL-XXP	56	DT-123RA-XXP	109	DT-89-B01W-XX	126
5EHDR-XXPLWR	21	5ESDPLM-XXP	56	DT-123RA-XXP3	109	E	
5EHDR-XXPWR	73	5ESDPM-XXP	55	DT-123VA-XXP	109	E2HK500V-XXPAM	104
5EHDRC-XXP	73	5ESDS-XXP	39	DT-123VA-XXP3	109	E2HK508V-XXPAM	106
5EHDRC-XXP	86	5ESDSM-XXP	39	DT-2300-XXP	109	E2LK508V-XXP	104
5EHDRC-XXPL	86	5ESDSR-XXP	39	DT-2301-XXP	109	E3K381V-XXP	102
5EHDRC-XXPLWR	74	5ESDSRM-XXP	39	DT-2320-XXP	110	E3K500V-XXP	103
5EHDRC-XXPWR	22	5ESDT-XXP	53	DT-2321-XXP	110	E3K508V-XXP	106

Part number	Page	Part number	Page	Part number	Page	Part number	Page
E3SK508V-XXP	106	ECH116V-XXP	67	ECH381R-XXP	20	ECHB250R-XXP	68
EC116CV-XXP	48	ECH250R-XXP	68	ECH381R-XXP	71	ECHB250V-XXP	68
EC116CVM-XXP	48	ECH250R-XXPL	68	ECH381R-XXPL	71	ECHB350R-XXP	70
EC116V-XXP	67	ECH250V-XXP	68	ECH381R-XXPLWR	86	ECHB350RM-XXP	70
EC116VM-XXP	67	ECH250V-XXPL	68	ECH381R-XXPWR	86	ECHB350V-XXP	70
EC350CR-XXP	46	ECH350H-XXP	70	ECH381RG-XXP	70	ECHB350VM-XXP	70
EC350CV-XXP	46	ECH350R-XXP	19	ECH381RJ-XXPL	27	ECHB381R-XXP	72
EC350F-XXP	52	ECH350R-XXP	69	ECH381RJ-XXPL	72	ECHB381RM-XXP	72
EC350FM-XXP	52	ECH350R-XXPL	69	ECH381RM-XXP	71	ECHB381RRD-XXP	72
EC350R-XXP	51	ECH350R-XXPLWR	85	ECH381RM-XXPL	20	ECHB381V-XXP	72
EC350RL-XXP	51	ECH350R-XXPWR	85	ECH381RM-XXPL	71	ECHB381VM-XXP	72
EC350RLM-XXP	51	ECH350RJ-XXP	70	ECH381RM-XXPLWR	86	ECHK1	66
EC350RM-XXP	51	ECH350RJ-XXPL	26	ECH381RM-XXPWR	86	ECHK1L	66
EC350V-XXP	51	ECH350RJ-XXPL	70	ECH381RR-XXP	71	ECHK2	66
EC350VM-XXP	51	ECH350RM-XXP	26	ECH381RR-XXPL	71	ECHP381V-XXP	81
EC381CR-XXP	47	ECH350RM-XXP	69	ECH381RR-XXPLWR	86	ECHP762V-XXP	82
EC381CV-XXP	47	ECH350RM-XXPL	20	ECH381RR-XXPWR	86	ECSH116K-XXP	48
EC381F-XXP	52	ECH350RM-XXPL	69	ECH381RRM-XXP	71	ECSH116K-XXP	49
EC381FM-XXP	52	ECH350RM-XXPLWR	85	ECH381RRM-XXPL	71	ECSH116M-XXP	49
EC381L-XXP	53	ECH350RM-XXPWR	85	ECH381RRM-XXPLWR	86	ECSH116MK-XXP	49
EC381LM-XXP	53	ECH350RR-XXP	69	ECH381RRM-XXPWR	86	ECSH116V-XXP	48
EC381R-XXP	51	ECH350RR-XXPL	69	ECH381V-XXP	20	ECSH116V-XXP	49
EC381RL-XXP	51	ECH350RR-XXPLWR	85	ECH381V-XXP	71	ECSH116VM-XXP	48
EC381RLM-XXP	51	ECH350RR-XXPWR	85	ECH381V-XXPL	71	ECSH381V-XXP	47
EC381RM-XXP	51	ECH350RRM-XXP	69	ECH381V-XXPLWR	86	ECSH381VM-XXP	27
EC381V-XXP	51	ECH350RRM-XXPL	69	ECH381V-XXPWR	86	ECSH381VM-XXP	47
EC381VK-XXP	53	ECH350RRM-XXPLWR	85	ECH381VJ-XXPL	27	ED130F-XXP	43
EC381VM-XXP	51	ECH350RRM-XXPWR	85	ECH381VJ-XXPL	72	ED130R-XXP	44
EC508F-XXP	54	ECH350RT-XXPL	70	ECH381VM-XXP	71	EDH130-21XX	44
EC508FM-XXP	54	ECH350RT-XXPLWR	85	ECH381VM-XXPL	20	EDH130-21XXTHT	44
EC508V-XXP	54	ECH350V-XXP	19	ECH381VM-XXPL	71	EDH130F-XX/12.6	43
EC508VM-XXP	54	ECH350V-XXP	69	ECH381VM-XXPLWR	86	EDH130F-XXTH126	43
EC762HM-XXP	65	ECH350V-XXPL	69	ECH381VM-XXPWR	86	EECH350R-XXP	70
EC762HV-XXP	64	ECH350V-XXPLWR	85	ECH508R-XXP	75	EECH350RM-XXP	70
EC762HVM-XXP	64	ECH350V-XXPWR	85	ECH508RM-XXP	75	EECH350V-XXP	70
EC762HVN-XXP	64	ECH350VJ-XXP	70	ECH508V-XXP	75	EECH350VM-XXP	70
EC762HVNM-XXP	65	ECH350VJ-XXPL	70	ECH508VM-XXP	75	EECH381R-XXP	72
EC762H-XXP	64	ECH350VJ-XXPL	26	ECH762HR-XXP	80	EECH381RM-XXP	72
EC762V-XXP	64	ECH350VM-XXP	26	ECH762HRM-XXP	80	EECH381V-XXP	72
EC762VM-XXP	64	ECH350VM-XXP	69	ECH762HRR-XXP	80	EECH381VM-XXP	72
EC762VN-XXP	64	ECH350VM-XXPL	20	ECH762R-XXP	79	EEHK508V-XXP	105
EC762VNM-XXP	67	ECH350VM-XXPL	69	ECH762RM-XXP	79	EEK381V-XXP	102
ECH116HRS-XXP	67	ECH350VM-XXPLWR	85	ECH762RR-XXP	80	EEK500V-XXP	103
ECH116HRSM-XXP	67	ECH350VM-XXPWR	85	ECH762RRM-XXP	80	EEK508V-XXP	106
ECH116HVS-XXP	67	ECH350VT-XXPL	70	ECH762RRT-XXP	80	EELK508V-XXP	103
ECH116HVSM-XXP	67	ECH350VT-XXPLWR	85	ECH762RTM-XXP	79	EESK381V-XXP	101
ECH116L-XXP	67	ECH381A-XXP	72	ECH762V-XXP	79	EESK508V-XXP	105
ECH116R-XXP	67	ECH381AM-XXP	72	ECH762VM-XXP	79	EHDK1	66
ECH116RM-XXP	67	ECH381H-XXP	72	ECH762VTM-XXP	79	EHDK1L	66

Part number	Page	Part number	Page	Part number	Page	Part number	Page
EHK2V-XXP	105	ESC508VM-XXP	40	PPAC-50MAS	120	WKA250A-XXP	111
EHK381V-XXP	101	ESDK1	66	PPAC-95	120	WKA254A-XXP	112
EHK3V-XXP	108	ESDK2	66	PPAC-95M	120	WKA500-XXP	111
EHK500R-XXP	104	ESK116R-XXPAM	108	PPAC-95MAS	120	WKA500-XXPL	111
EHK508R-XXP	105	ESK116V-XXP	108	PPACN-10	119	WKA508-XXP	111
EHK508V2L-XXP	106	ESK150V-XXP	107	PPACN-10AS	119	WKA50B-XXP	111
EHK508V3L-XXP	106	ESK150VM-XXP	107	PPACN-10Z	119	WKK500-XXP	112
EHK5V-XXP	104	ESK175V-XXP	108	PPACN-4	118	WKK508-XXP	112
EHK5V3L-XXP	103	ESK175VM-XXP	108	PPACNV-10	119	WKV250A-XXP	112
EHK7V-XXP	106	ESK200VM-XXP	108	PPACNV-10AS	119	WKV254A-XXP	112
EK254V-XXP	101	ESK381R-XXP	102	PPACNV-10Z	119	WSKA100-XXP	112
EK350V-XXP	102	ESK381V-XXP	102	PPACNV-4	118	WSKA500S-XXP	111
EK350V4L-XXP	102	ESK381V4L-XXP	101	PPACNVH-4	118	WSKA750S-XXP	112
EK381V-XXP	102	ESK508V-XXP	106	PPACV-16	119		
EK381V3L-XXP	102	ESK508V3L-XXP	105	PPACV-16AS	119		
EK381V4L-XXP	101	ESK508V4L-XXP	106	PPACV-16Z	119		
EK500A-XXP	103	ESK635V-XXP	106	Q			
EK500R-XXP	103	ESK750V-XXP	106	QT-8001	147		
EK500V-XXP	103	ESK762V-XXP	107	QT-8002	147		
EK500V2L-XXP	104	ESKW116V-XXP	107	QT-8003	147		
EK500V3L-XXP	104	F~O		QT-8004	147		
EK500V4L-XXP	104	P		QT-8005	147		
EK508A-XXP	103	P-610	146	QT-8006	147		
EK508R-XXP	104	P-620	146	QT-8007	147		
EK508V-XXP	104	P-810	146	QT-8008	147		
EK508V2L-XXP	105	P-820	146	QT-8009	147		
EK508V3L-XXP	105	P-830	146	QT-9001	147		
EK508V4L-XXP	105	P-831	146	QT-9002	147		
EK750V-XXP	107	P-840	146	QT-9003	147		
EK950V-XXP	107	P-850	145	QT-9004	147		
EK950HVN-XXP	107	P-851	145	QT-9005	147		
EKB635V-XXP	105	P-860	145	QT-9006	147		
EKB762V-XXP	108	P-861	145	QT-9007	147		
ELK500S-XXP	102	P-871	145	QT-9008	147		
ELK500V-XXP	102	P-872	145	QT-9009	147		
ELK508S-XXP	104	PDS-10-XX	110	R			
ELK508V-XXP	103	PDS-10A-XX	110	S			
EPK116VN-XXP	107	PDS-10S-XX	110	S000001100-F	146		
EPK116VS-XXP	108	PDS-10SA-XX	110	S000001200-F	146		
EPK635VN-XXP	105	PPAC-16	119	S000004700-F	146		
ESC250L-XXP	37	PPAC-16AS	119	S000008400-F	146		
ESC250V-XXP	37	PPAC-25	120	SDH-002	36		
ESC350V-XXP	38	PPAC-25AS	120	SDH-003	36		
ESC350VK-XXP	38	PPAC-25MAS	120	T~V			
ESC350VM-XXP	38	PPAC-4SS	118	W			
ESC381V-XXP	38	PPAC-4SSG	118	W3K500-XXP	112		
ESC381VK-XXP	38	PPAC-50	120	W3K508-XXP	112		
ESC381VM-XXP	38	PPAC-50AS	120	W4K500-XXP	112		
ESC508V-XXP	40	PPAC-50M	120	W4K508-XXP	112		